

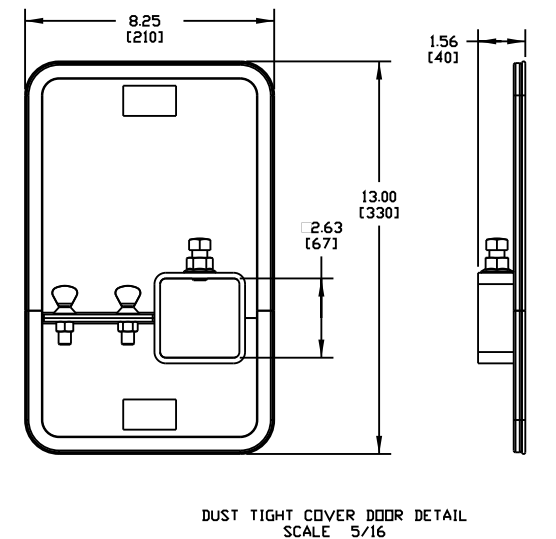
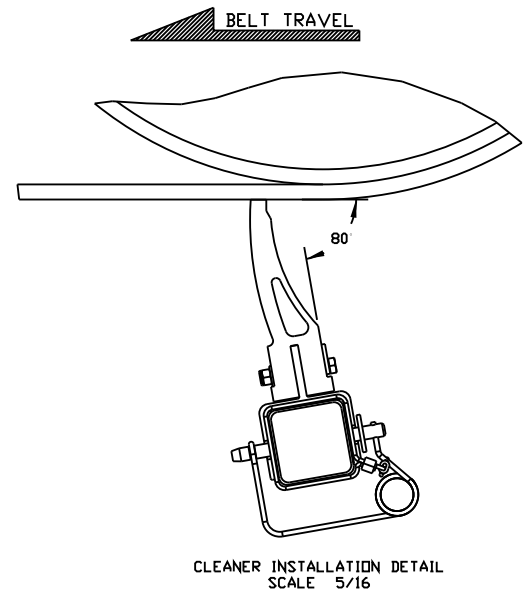
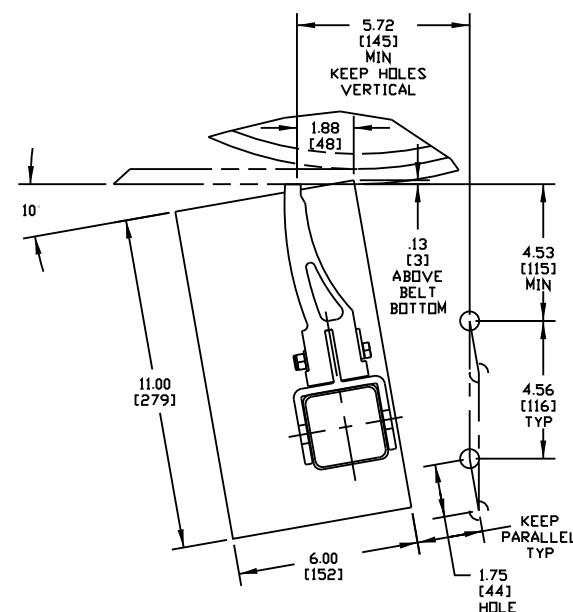
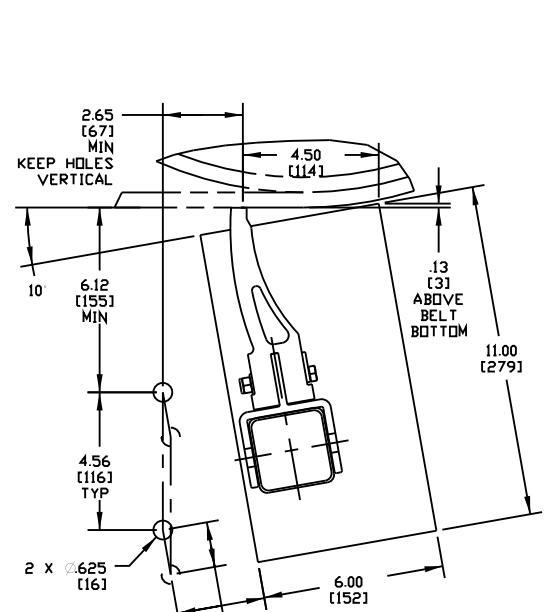
ITEM	QTY.	DESCRIPTION	PART NUMBER
1	1	SQC2™ SO MNFRM ASM W/SAF-2 TC BLD	SEE CHART
2	1	DUST TIGHT DOOR ASM F/SQ MNFRM	38014-SQCS

PART NO.	BELT WIDTH	DIM "A" BLADE WIDTH	DIM "B" FRAME LENGTH
SQC2S-18X12X3XXX	18 [400-500]	12.00 [305]	48.00 [1219]
SQC2S-18X18X3XXX	18 [400-500]	18.00 [457]	48.00 [1219]
SQC2S-24X18X3XXX	24 [500-650]	18.00 [457]	54.00 [1372]
SQC2S-24X24X3XXX	24 [500-650]	24.00 [610]	54.00 [1372]
SQC2S-30X24X3XXX	30 [650-800]	24.00 [610]	60.00 [1524]
SQC2S-30X30X3XXX	30 [650-800]	30.00 [762]	60.00 [1524]
SQC2S-36X30X3XXX	36 [800-1000]	30.00 [762]	66.00 [1676]
SQC2S-36X36X3XXX	36 [800-1000]	36.00 [914]	66.00 [1676]
SQC2S-42X36X3XXX	42 [1000-1200]	36.00 [914]	72.00 [1829]
SQC2S-42X42X3XXX	42 [1000-1200]	42.00 [1067]	72.00 [1829]
SQC2S-48X42X3XXX	48 [1200-1400]	42.00 [1067]	78.00 [1981]
SQC2S-48X48X3XXX	48 [1200-1400]	48.00 [1219]	78.00 [1981]
SQC2S-54X48X3XXX	54 [1400-1600]	48.00 [1219]	84.00 [2134]
SQC2S-54X54X3XXX	54 [1400-1600]	54.00 [1372]	84.00 [2134]
SQC2S-60X54X3XXX	60 [1600-1800]	54.00 [1372]	90.00 [2286]
SQC2S-60X60X3XXX	60 [1600-1800]	60.00 [1524]	90.00 [2286]
SQC2S-66X60X3XXX	66 [1600-1800]	60.00 [1524]	96.00 [2438]
SQC2S-66X66X3XXX	66 [1600-1800]	66.00 [1676]	96.00 [2438]
SQC2S-72X66X3XXX	72 [1800-1900]	66.00 [1676]	102.00 [2591]
SQC2S-72X72X3XXX	72 [1800-1900]	72.00 [1829]	102.00 [2591]
SQC2S-78X72X3XXX	78 [1900-2000]	72.00 [1829]	108.00 [2743]
SQC2S-78X78X3XXX	78 [1900-2000]	78.00 [1981]	108.00 [2743]
SQC2S-84X78X3XXX	84 [2000-2100]	78.00 [1981]	114.00 [2896]
SQC2S-84X84X3XXX	84 [2000-2100]	84.00 [2134]	114.00 [2896]
SQC2S-90X84X3XXX	90 [2100-2200]	84.00 [2134]	120.00 [3048]
SQC2S-90X90X3XXX	90 [2100-2200]	90.00 [2286]	120.00 [3048]
SQC2S-96X90X3XXX	96 [2200-2400]	90.00 [2286]	126.00 [3200]
SQC2S-96X96X3XXX	96 [2200-2400]	96.00 [2438]	126.00 [3200]

BLADE CHART	
PART NO.	CLEANER DESCRIPTION
SQC2S-XXCXXX3XXX	TC TIP WITH SS INSERT URETHANE BLADES
SQC2S-XXDXXX3XXX	SLIT URETHANE BLADES
SQC2S-XXSXXX3XXX	SS TIP URETHANE BLADES
SQC2S-XXTXXX3XXX	TC TIPPED URETHANE BLADES
SQC2S-XXUXXX3XXX	ALL URETHANE BLADES

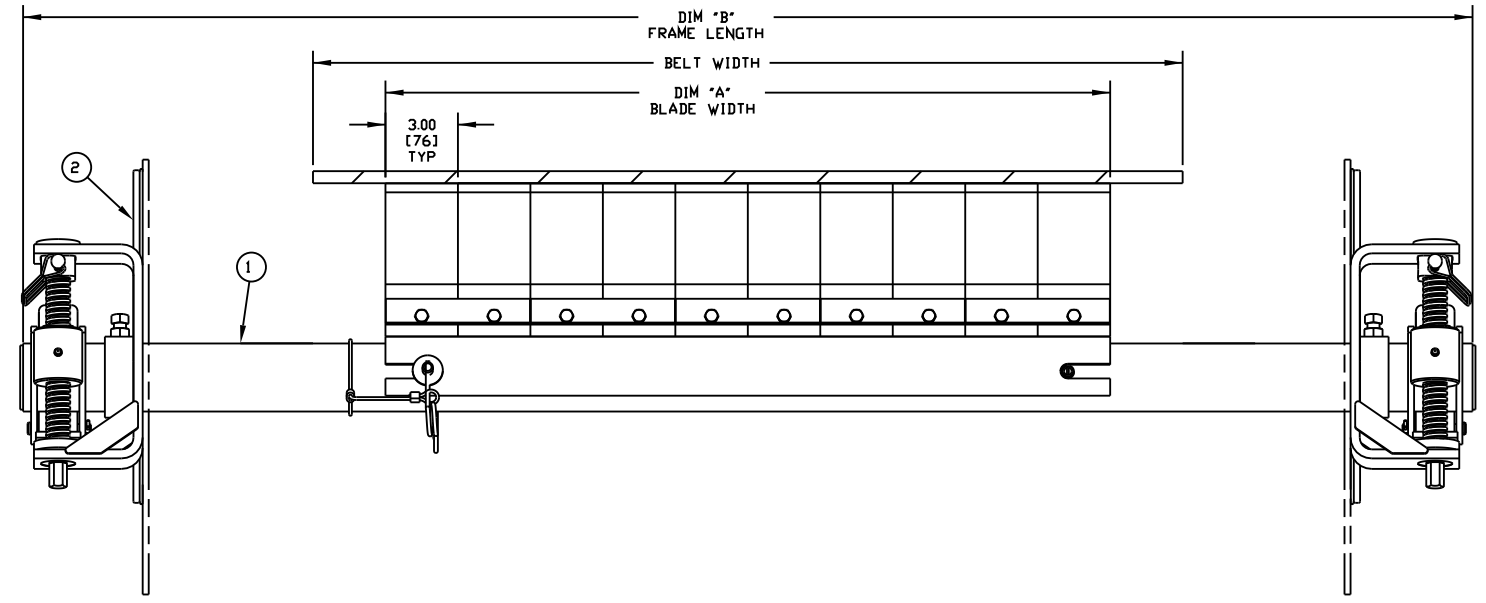
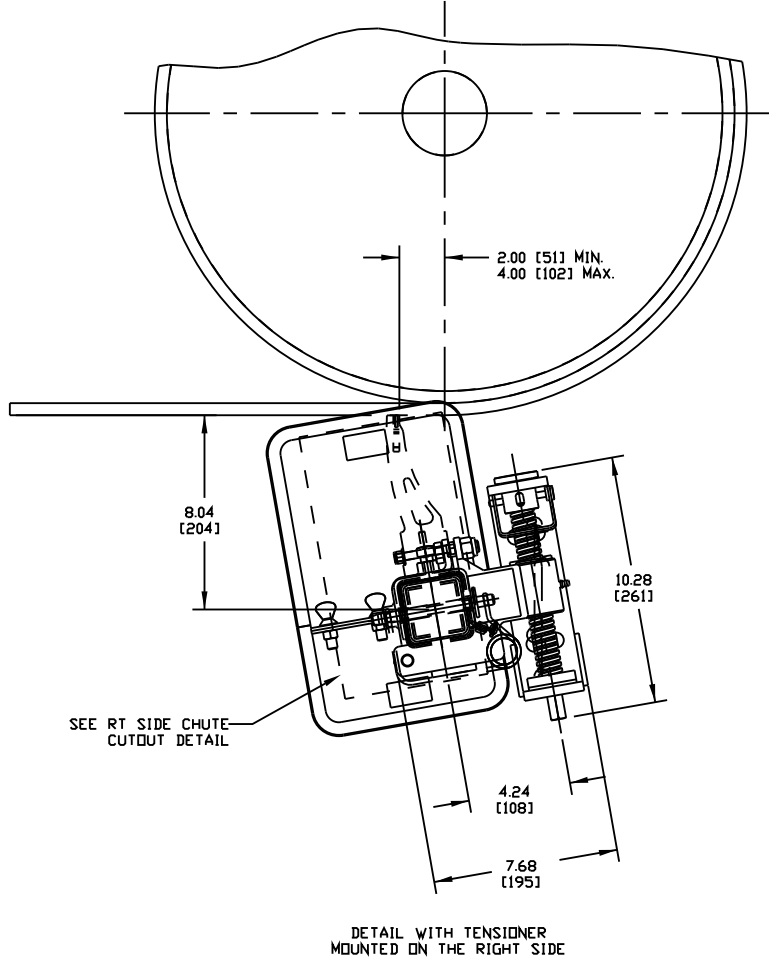
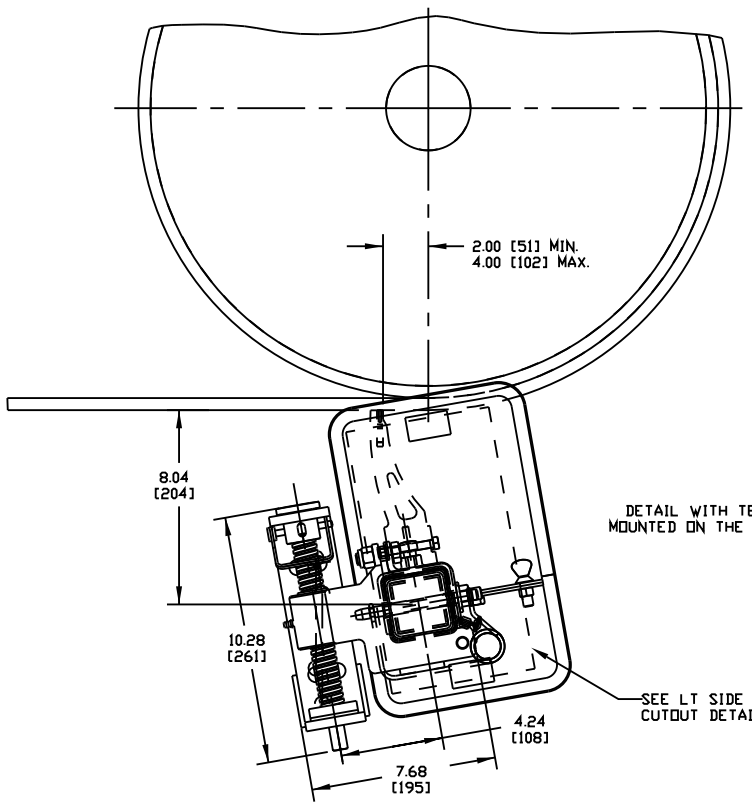
*** NOTE ON ASSEMBLIES WITH TIPPED BLADES, THE OUTER BLADE ON EACH END WILL BE ALL URETHANE***

PART NO.	BELT WIDTH	DIM "A" BLADE WIDTH	DIM "B" FRAME LENGTH
SQC2S-18X12X3EXX	18 [400-500]	12.00 [305]	66.00 [1676]
SQC2S-18X18X3EXX	18 [400-500]	18.00 [457]	66.00 [1676]
SQC2S-24X18X3EXX	24 [500-650]	18.00 [457]	72.00 [1829]
SQC2S-24X24X3EXX	24 [500-650]	24.00 [610]	72.00 [1829]
SQC2S-30X24X3EXX	30 [650-800]	24.00 [610]	78.00 [1981]
SQC2S-30X30X3EXX	30 [650-800]	30.00 [762]	78.00 [1981]
SQC2S-36X30X3EXX	36 [800-1000]	30.00 [762]	84.00 [2134]
SQC2S-36X36X3EXX	36 [800-1000]	36.00 [914]	84.00 [2134]
SQC2S-42X36X3EXX	42 [1000-1200]	36.00 [914]	90.00 [2286]
SQC2S-42X42X3EXX	42 [1000-1200]	42.00 [1067]	90.00 [2286]
SQC2S-48X42X3EXX	48 [1200-1400]	42.00 [1067]	96.00 [2438]
SQC2S-48X48X3EXX	48 [1200-1400]	48.00 [1219]	96.00 [2438]
SQC2S-54X48X3EXX	54 [1400-1600]	48.00 [1219]	102.00 [2591]
SQC2S-54X54X3EXX	54 [1400-1600]	54.00 [1372]	102.00 [2591]
SQC2S-60X54X3EXX	60 [1600-1800]	54.00 [1372]	108.00 [2743]
SQC2S-60X60X3EXX	60 [1600-1800]	60.00 [1524]	108.00 [2743]
SQC2S-66X60X3EXX	66 [1600-1800]	60.00 [1524]	114.00 [2896]
SQC2S-66X66X3EXX	66 [1600-1800]	66.00 [1676]	114.00 [2896]
SQC2S-72X66X3EXX	72 [1800-1900]	66.00 [1676]	120.00 [3048]
SQC2S-72X72X3EXX	72 [1800-1900]	72.00 [1829]	120.00 [3048]
SQC2S-78X72X3EXX	78 [1900-2000]	72.00 [1829]	126.00 [3200]
SQC2S-78X78X3EXX	78 [1900-2000]	78.00 [1981]	126.00 [3200]
SQC2S-84X78X3EXX	84 [2000-2100]	78.00 [1981]	132.00 [3353]
SQC2S-84X84X3EXX	84 [2000-2100]	84.00 [2134]	132.00 [3353]
SQC2S-90X84X3EXX	90 [2100-2200]	84.00 [2134]	138.00 [3505]
SQC2S-90X90X3EXX	90 [2100-2200]	90.00 [2286]	138.00 [3505]
SQC2S-96X90X3EXX	96 [2200-2400]	90.00 [2286]	144.00 [3658]
SQC2S-96X96X3EXX	96 [2200-2400]	96.00 [2438]	144.00 [3658]



- NOTES:
- 1) ALL DIMENSIONS ARE GIVEN IN INCHES (MM).
 - 2) ALL DIMENSIONS ARE FOR REFERENCE ONLY.
 - 3) FOR EASE OF ACCESSIBILITY AND MAINTENANCE MARTIN ENGINEERING RECOMMENDS BOLTING CLEANER TO EXISTING STRUCTURE WHEN APPLICABLE.
 - 4) DUE TO STRUCTURAL TOLERANCES IN THE FIELD, DIMENSIONS AND LOCATIONS MAY VARY.
 - 5) WHERE EXTREME AND UNUSUAL CONDITIONS EXIST, OR SPECIAL MAINFRAME LENGTHS ARE REQUIRED, CONTACT MARTIN ENGINEERING.
 - 6) CUSTOMER MAY HAVE TO MODIFY STRUCTURE TO PROPERLY INSTALL CLEANER.
 - 7) REFER TO OPERATOR'S MANUAL (M3682) FOR ADDITIONAL AND OPTIONAL INSTALLATION INSTRUCTIONS.
 - 8) MARTIN ENGINEERING RECOMMENDS POSITIONING OF AN IDLER FOR PROPER BACKING SUPPORT OF THE CLEANER IF NOT LOCATED LOCATED ON THE HEAD PULLEY.

- NOTES (CONT'D):
- 9) MAINFRAME IS SUPPLIED LONGER THAN REQUIRED, FIELD CUT TO DESIRED LENGTH.
 - 10) LOCATE ACCESS WINDOW AND HOLE CENTERS. DRILL HOLES FOR TENSIONER. NOTE TENSIONER LT/RT MOUNTING DIRECTION.
 - 11) IN THE P/N THE FIRST TWO XX'S INDICATE THE BELT WIDTH (18 THRU 96) THE NEXT X INDICATES THE BLADE TYPE (SEE BLADE CHART) THE NEXT TWO XX'S INDICATE THE BLADE CLEANING WIDTH (18 THRU 96) THE NEXT TWO XX'S INDICATE THE URETHANE COLOR: (B3 = BROWN, G3 = GREEN, N3 = NAVY BLUE, AND O3=ORANGE) THE NEXT X INDICATES THE MAINFRAME OPTIONS: (E = EXTENDED LENGTH PAINTED STEEL MAINFRAME, P = PAINTED MAINFRAME, S = STAINLESS STEEL MAINFRAME) THE NEXT X INDICATES IF A TENSIONER IS INCLUDED. THE LAST X INDICATES IF ADDITIONAL OPTIONS ARE INCLUDED.



Copyright 2016 Martin Engineering. All rights reserved. Covered by U.S. and Foreign patents pending and issued. R and TM indicate trademarks of Martin Engineering.

MARTIN ENGINEERING
NEPONSET, IL USA

NO.	DESCRIPTION	ECN	DATE	BY
C	ADDED P/N SQC2S-XXDXXX3XXX TO BLADE CHART (PRI3177)	----	03/15/16	RND
B	ADDED CHART W/EXTENDED MAINFRAME DIMS/ADDED SQC2S-XXCXXX3XXX & -XXSXXX3XXX TO CHART	----	04/26/13	MJB
A	RELOCATED DOOR CUTOUTS, ADDED DIMS / CHG DOOR CUTOUT FROM BEING LOCATED FROM TENSIONER HOLES TO BEING LOCATED FROM BLADE / UPDATED DIMS. UPDATED NOTE	13161	09/06/11	RND

SALES DRAWING

REVISION

APPROVED DIM DATE 02/04/11 SCALE 1/4

APPROVED DIM DATE 02/04/11 SCALE 1/4

TITLE	DRAWN	DATE	CHECKED
MARTIN® SQC2™ WITH 3" SAF-2 STYLE BLADES TENS & COVER DOOR	MJB	11/03/10	CHECKED
	JAP	02/04/11	

