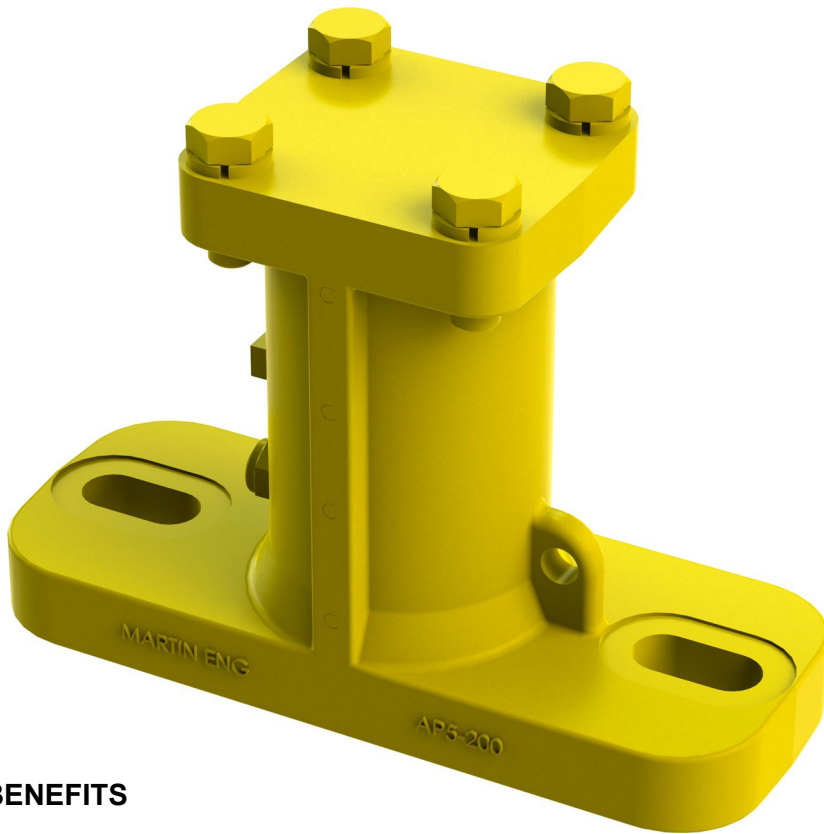


Martin® AP5 Series Piston Vibrators



BENEFITS

- **Economical**
Low initial cost, plus cost savings by eliminating the pounding, poking, and hammering of hoppers, ensures material flow with cost savings.
- **Minimal Maintenance**
Limited maintenance required for life of the vibrator when used with a filtered and lubricated air supply.
- **Versatility**
Variable control of force and frequency to meet a variety of material conditions.
- **Slotted Mounting Holes**
The AP5-200 can be a bolt in direct replacement for nearly all 2" piston vibrators in the marketplace.
- **Exhaust Mufflers**
The AP5-200 comes standard with exhaust mufflers to attenuate the exhaust noise and aid in preventing dust and dirt from entering the vibrator.

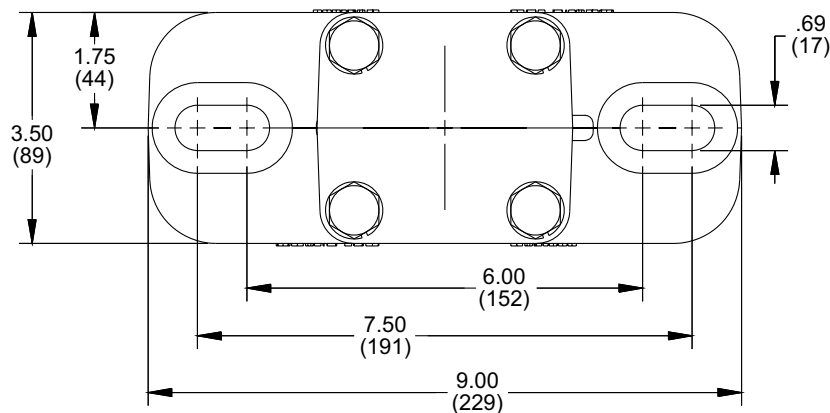
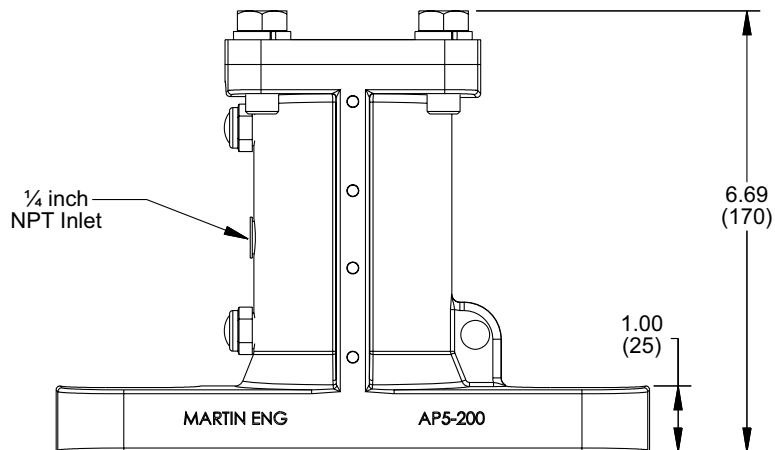
FEATURES

- Uni-Body Construction
- Hardened pistons
- Low air consumption
- Produces uniform directional force
- Optional
— air cushioned non-impacting

Specify Martin for:

- Cost effective solutions
- Expert technical assistance
- Complete service and support

TECHNICAL DATA SHEET



PERFORMANCE DATA

Model	Piston Size In.	40 PSI			60 PSI			MAX 80 PSI			dB
		VPM	CFM	Force lb	VPM	CFM	Force lb	VPM	CFM	Force lb	
AP5-200	2	2640	9	504	3180	14	731	3600	18	937	103
AP5-200Q	2	2284	7.7	336	2240	9.8	510	2800	14	628	87

PART NUMBERS

Model	Description
AP5-200-Y	2-in. impacting piston vibrator
AP5-200S-Y	2-in. impacting piston vibrator with internal spring
AP5-200Q-Y	2-in. non-impacting piston vibrator
AP5-200SI-Y	2-in. timed impactor

ACCESSORIES

Part Number	Description
29928-02	channel mount
32271	safety cable assembly
36343-NC	solenoid valve 115/1/60, 1/2" npt
14760	filter, regulator, lubricator combination, 1/2" npt
38902-20	on/off cycle timer 115/1/60



Martin Engineering USA

One Martin Place
 Neponset, IL 61345-9766 USA
 800 544 2947 or 309 852 2384
 Fax 800 814 1553
 www.martin-eng.com

COMPANY WITH
 QUALITY SYSTEM
 CERTIFIED BY DNV
 = ISO 9001:2008 =