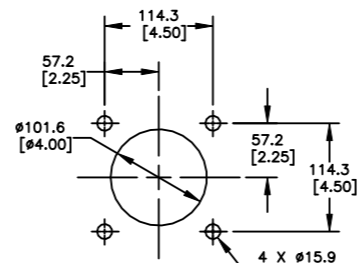


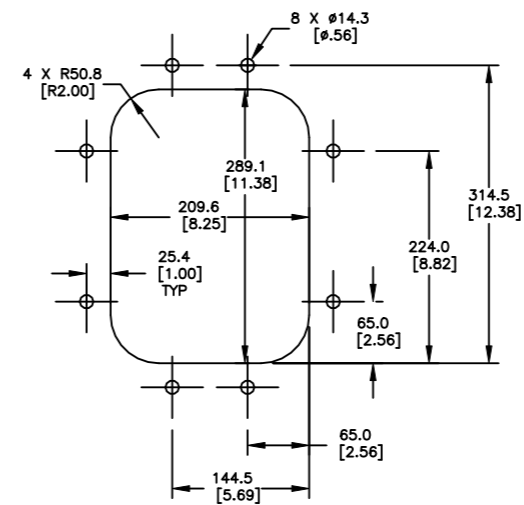
| PART NUMBER | BELT WIDTH | DIMENSION "A" BLADE COVERAGE | DIMENSION "B" FRAME LENGTH |
|-----------------|----------------|---------------------------------|-------------------------------|
| C1QHAS18S10XXRX | 457.2 [18.00] | 254.0 [10.00] | 863.6 [34.00] |
| C1QHAS18S12XXRX | 457.2 [18.00] | 304.8 [12.00] | 863.6 [34.00] |
| C1QHAS18S14XXRX | 457.2 [18.00] | 355.6 [14.00] | 863.6 [34.00] |
| C1QHAS24S16XXRX | 609.6 [24.00] | 406.4 [16.00] | 1016.0 [40.00] |
| C1QHAS24S18XXRX | 609.6 [24.00] | 457.2 [18.00] | 1016.0 [40.00] |
| C1QHAS24S20XXRX | 609.6 [24.00] | 508.0 [20.00] | 1016.0 [40.00] |
| C1QHAS30S22XXRX | 762.0 [30.00] | 558.8 [22.00] | 1168.4 [46.00] |
| C1QHAS30S24XXRX | 762.0 [30.00] | 609.6 [24.00] | 1168.4 [46.00] |
| C1QHAS30S26XXRX | 762.0 [30.00] | 660.4 [26.00] | 1168.4 [46.00] |
| C1QHAS36S28XXRX | 914.4 [36.00] | 711.2 [28.00] | 1524.0 [60.00] |
| C1QHAS36S30XXRX | 914.4 [36.00] | 762.0 [30.00] | 1524.0 [60.00] |
| C1QHAS36S32XXRX | 914.4 [36.00] | 812.8 [32.00] | 1524.0 [60.00] |
| C1QHAS42S34XXRX | 1066.8 [42.00] | 863.6 [34.00] | 1828.8 [72.00] |
| C1QHAS42S36XXRX | 1066.8 [42.00] | 914.4 [36.00] | 1828.8 [72.00] |
| C1QHAS42S38XXRX | 1066.8 [42.00] | 965.2 [38.00] | 1828.8 [72.00] |
| C1QHAS48S40XXRX | 1219.2 [48.00] | 1016.0 [40.00] | 1981.2 [78.00] |
| C1QHAS48S42XXRX | 1219.2 [48.00] | 1066.8 [42.00] | 1981.2 [78.00] |
| C1QHAS48S44XXRX | 1219.2 [48.00] | 1117.6 [44.00] | 1981.2 [78.00] |

- NOTES:
- ALL DIMENSIONS ARE GIVEN IN MILLIMETERS [INCHES] AND ARE FOR REFERENCE ONLY.
 - IN THE C1QHA PART NUMBER THE FIRST SXX INDICATES THE BELT WIDTH IN STANDARD INCH UNITS. THE NEXT SXX INDICATES THE BLADE LENGTH IN STANDARD INCH UNITS FOR BELT WIDTHS 457.2 [18.00] THRU 2438.4 [96.00].
 000 = NO BLADE
 SA0 = 2540.0 [100.00]
 SA2 = 2590.8 [102.00]
 SA4 = 2641.6 [104.00]
 SA8 = 2743.2 [108.00]
 - THE FIFTH X IN THE PART NUMBER INDICATES THE BLADE COLOR:
 0 = NO BLADE
 B = BROWN
 T = TAN
 G = GREEN
 N = NAVY BLUE
 O = ORANGE
 - THE SIXTH X INDICATES IF THE BLADE IS SOLID OR SEGMENTED:
 0 = SEGMENTED BLADE / NO BLADE
 1 = SOLID BLADE
 - THE R IN THE PART NUMBER INDICATES A ROLL FORMED MAINFRAME
 THE SEVENTH X INDICATES THE TENSIONER OPTIONS:
 BLANK = NO TENSIONER
 T = TWIST TENSIONER (38850)
 S = SPRING TENSIONER (38180)
 ADD AN L TO THE END OF THE PART NUMBER TO GET A CLEANER LESS THE TORQUE TUBES.
 - THE FRAME IS ADJUSTABLE TO DESIRED LENGTH.
 - FOR BELT WIDTHS 1371.6 [54.00] AND OVER A DUAL TWIST TENSIONER ASSEMBLY IS REQUIRED (P/N 38850-2). SEE S50123-TD.
 - WHERE EXTREME OR UNUSUAL CONDITIONS EXIST, OR SPECIAL MAINFRAME LENGTHS ARE REQUIRED CONTACT MARTIN ENGINEERING.
 - TWIST TENSIONER MAY BE BOLTED OR WELDED IN PLACE. MARTIN ENGINEERING RECOMMENDS BOLTING WHEN APPLICABLE FOR EASIER MAINTENANCE AND ACCESSIBILITY.
 - REFER TO OPERATOR'S MANUALS M3837 AND M4101 FOR INSTALLATION INSTRUCTIONS.
 - CLEANER CAN BE LOCATED ANYWHERE ALONG THE ARC. AS LONG AS THE MAINFRAME IS OUT OF MATERIAL TRAJECTORY AND THE BLADE TIPS ARE BELOW THE HORIZONTAL CENTERLINE OF THE HEAD PULLEY.
 - THE HD QB1 PRE-CLEANER BLADE IS DESIGNED TO REMOVE THE INITIAL CARRYBACK ONLY. DO NOT OVER TENSION.
 - THE HD QB1 PRE-CLEANER BLADE IS DESIGNED FOR HEAD PULLEYS WITH A DIAMETER OF 406.4 [16.00] TO 558.8 [22.00].
 - BLADE COVERAGE IS LESS THAN BELT WIDTH, DUE TO POSSIBLE MISTRACKING OR DAMAGED EDGES OF THE BELT.
 - INSIDE CHUTE WALL WIDTH MUST BE A MINIMUM OF BELT WIDTH PLUS 127.0 [5.00] IN ORDER FOR CLEANER TO BE INSTALLED WITH TENSIONERS BOLTED DIRECTLY TO CHUTE WALL.

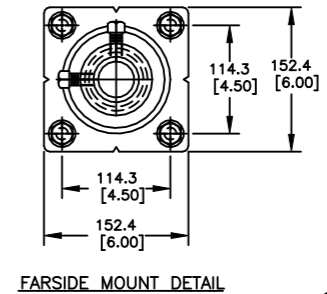
| ASSEMBLY PART NO. | COLOR |
|-------------------|-----------|
| C1QHASXXSXXBXXRX | BROWN |
| C1QHASXXSXXTXXRX | TAN |
| C1QHASXXSXXGXXRX | GREEN |
| C1QHASXXSXXNXXRX | NAVY BLUE |
| C1QHASXXSXXOXXRX | ORANGE |



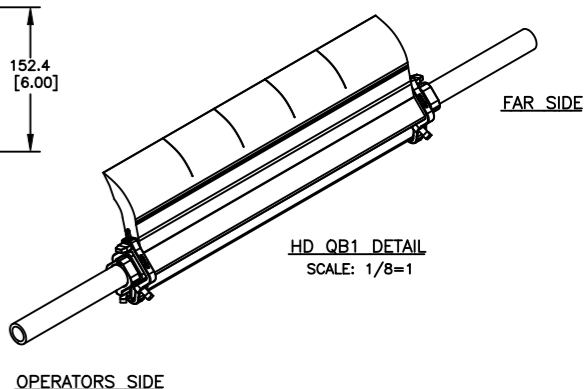
TENSIONER CHUTE WALL CUTOUT DETAIL
TYPICAL BOTH SIDES



DOOR CUTOUT DETAIL
FOR STEEL ACCESS DOOR

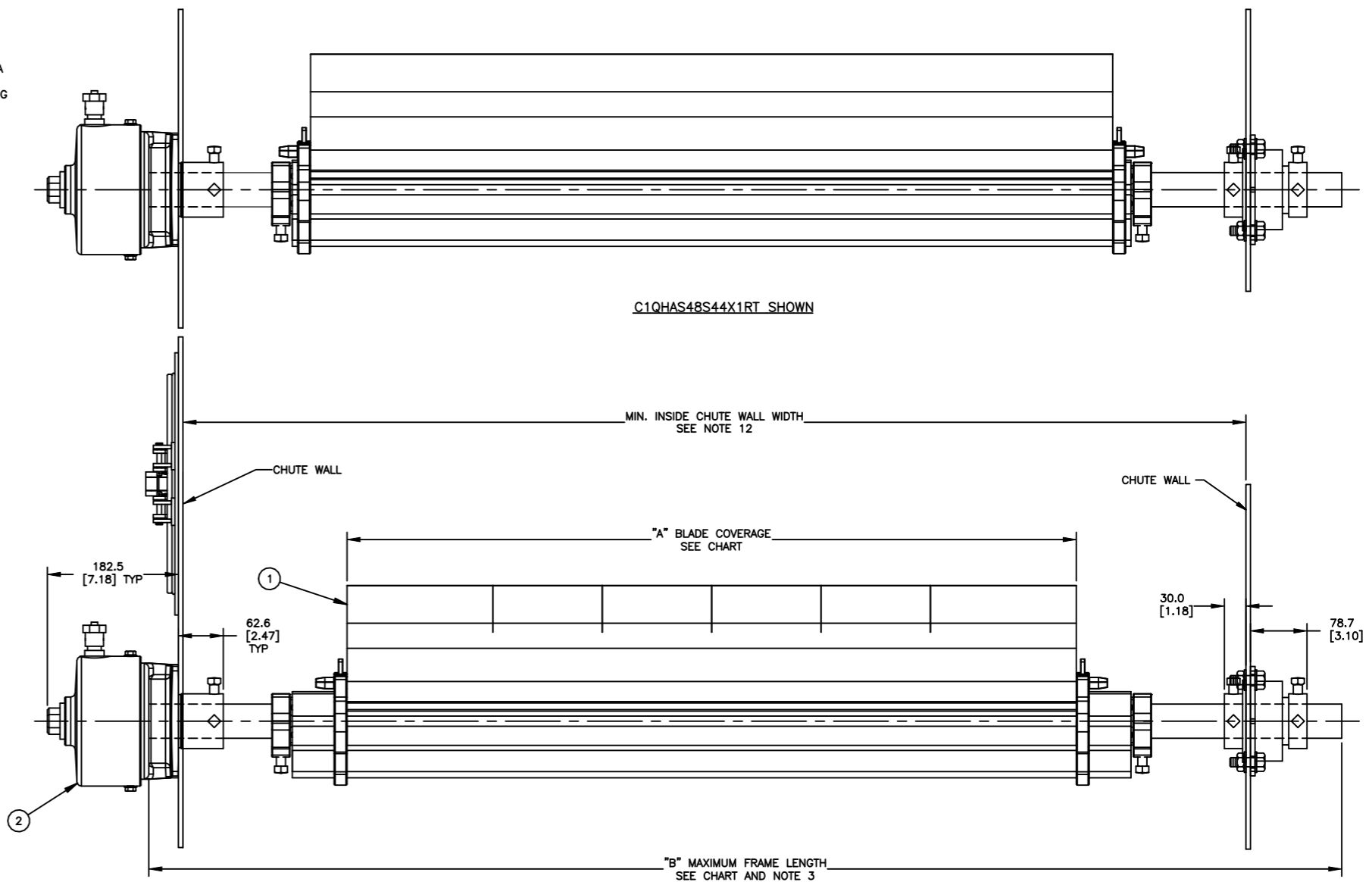
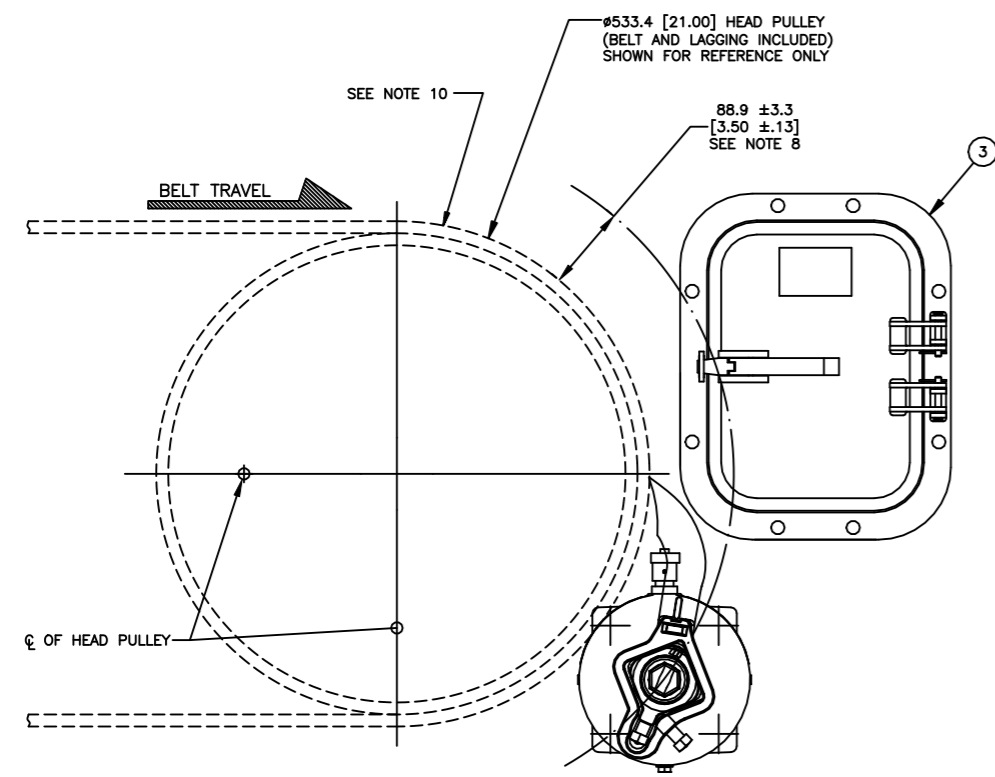


FARSIDE MOUNT DETAIL



HD QB1 DETAIL
SCALE: 1/8=1

| ITEM | QTY. | DESCRIPTION | PART NUMBER |
|------|------|-----------------------------------|---------------|
| 1 | 1 | MARTIN HD QB1 BLADE MAINFRAME ASM | C1QHASXXSXXRX |
| 2 | 1 | MARTIN TWIST TENSIONER ASM | 38850 |
| 3 | 1 | MARTIN LOW PROFILE STL DOOR 9X12 | CYA-0912 |



C1QHAS48S40X0RT SHOWN
HEAD PULLEY NOT SHOWN FOR CLARITY

© Copyright 2018 Martin Engineering. All rights reserved. Covered by U.S. and foreign patents pending and issued. ® and TM indicate trademarks of Martin Engineering.

MARTIN ENGINEERING
NEPONSET, IL USA

TITLE: MARTIN HD QB1 ASM WITH TWIST TENSIONER ASM & STEEL DOOR
 DRAWN: RND
 DATE: 03/05/18
 CHECKED: [Signature]
 ENG: [Signature]
 DATE: 03/09/18
 APPROVED: [Signature]
 DATE: 03/09/18

| NO. | DESCRIPTION | ECN | DATE | BY |
|---------|-------------|-----|------|----|
| AutoCAD | REVISION | | | |

SALES DRAWING
 PR13501C
 S50123-TS
 SCALE 1/4