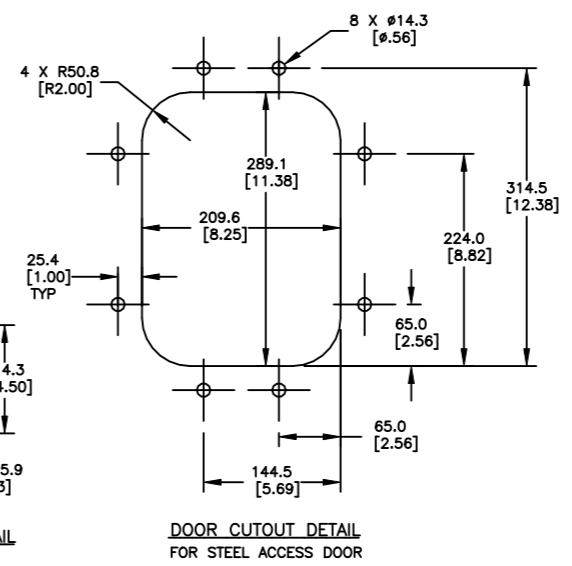
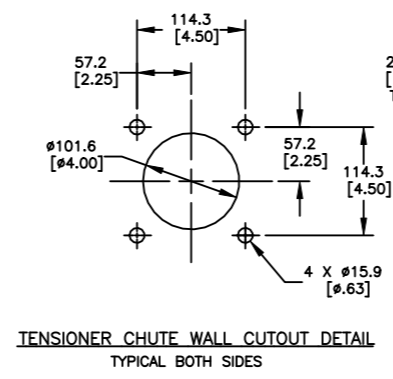


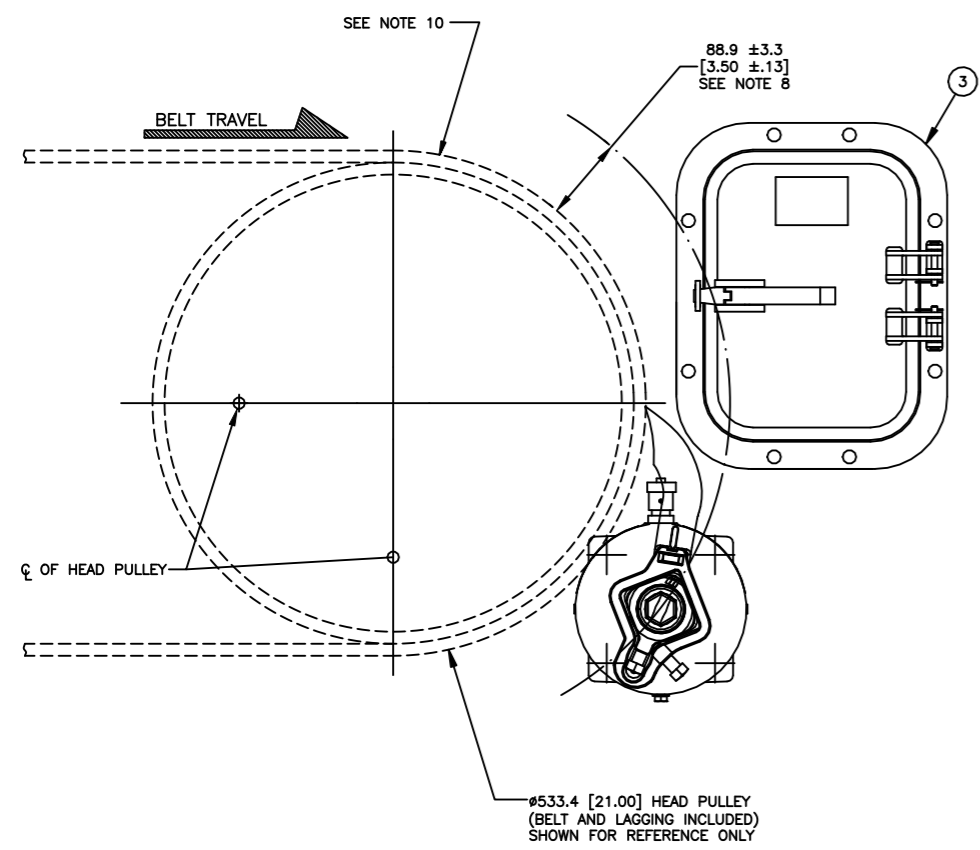
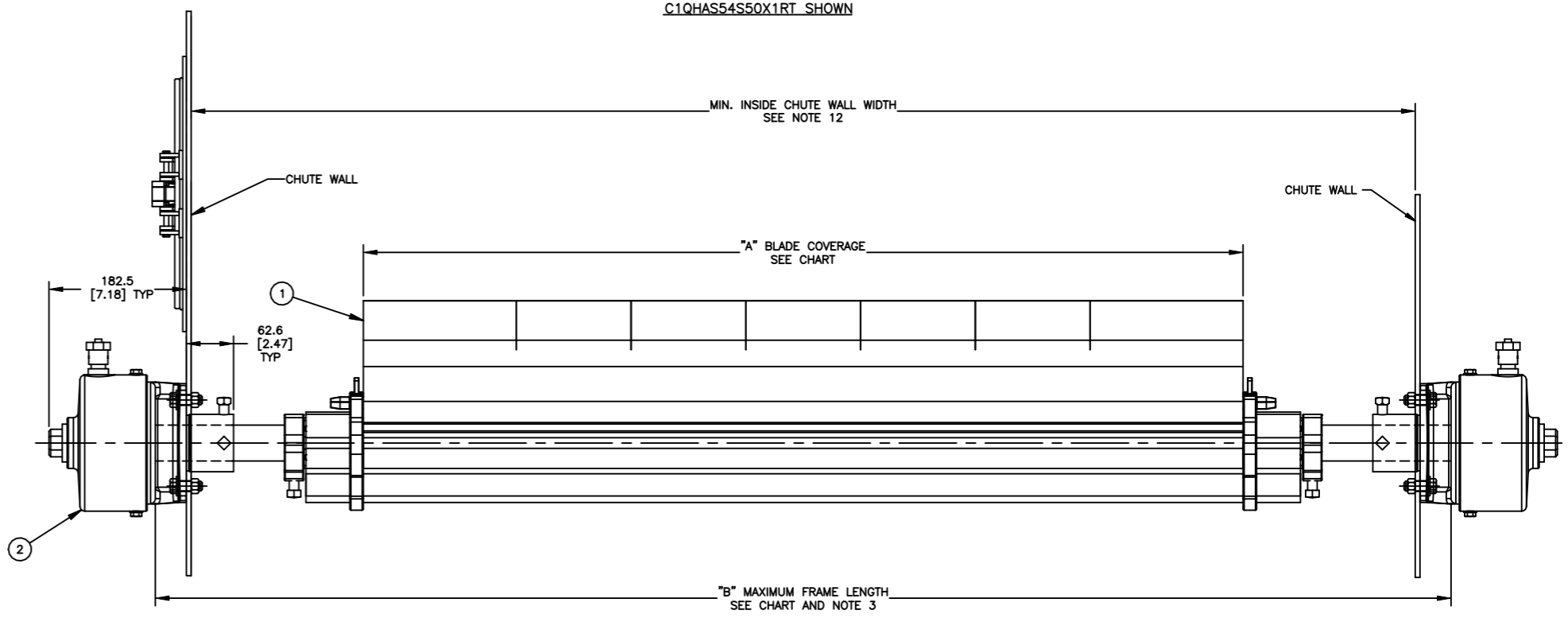
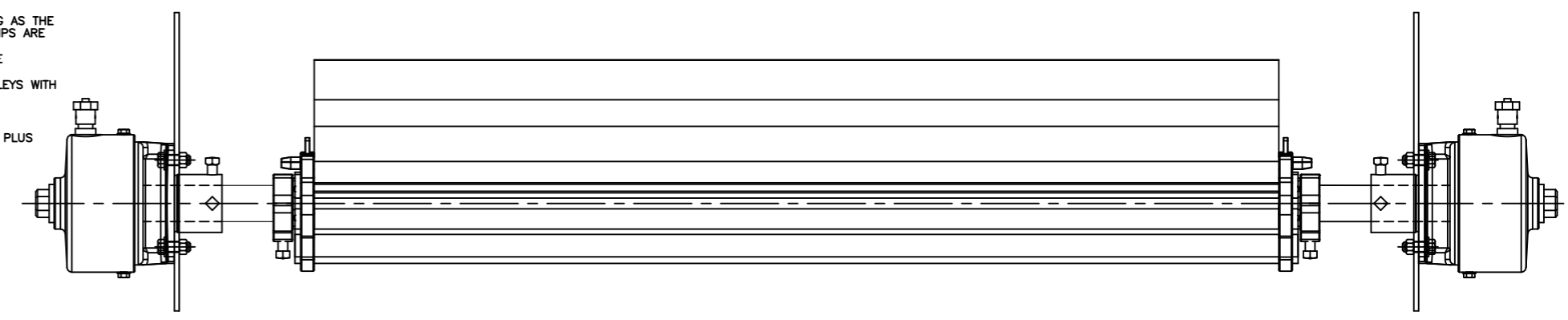
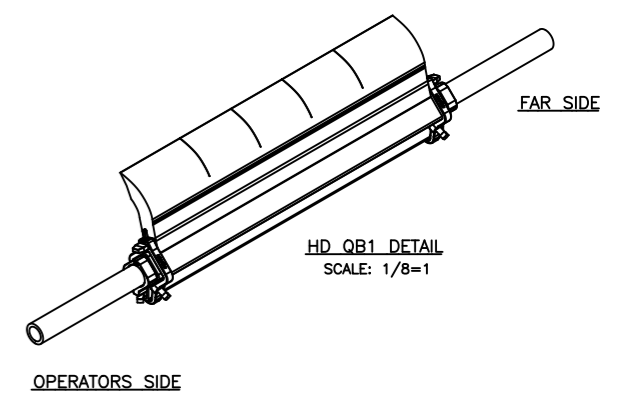
PART NUMBER	BELT WIDTH	DIMENSION "A" BLADE COVERAGE	DIMENSION "B" FRAME LENGTH
C1QHAS54S46XXRX	1371.6 [54.00]	1168.4 [46.00]	2133.6 [84.00]
C1QHAS54S48XXRX	1371.6 [54.00]	1219.2 [48.00]	2133.6 [84.00]
C1QHAS54S50XXRX	1371.6 [54.00]	1270.0 [50.00]	2133.6 [84.00]
C1QHAS60S52XXRX	1524.0 [60.00]	1320.8 [52.00]	2286.0 [90.00]
C1QHAS60S54XXRX	1524.0 [60.00]	1371.6 [54.00]	2286.0 [90.00]
C1QHAS60S56XXRX	1524.0 [60.00]	1422.4 [56.00]	2286.0 [90.00]
C1QHAS66S58XXRX	1676.4 [66.00]	1473.2 [58.00]	2438.4 [96.00]
C1QHAS66S60XXRX	1676.4 [66.00]	1524.0 [60.00]	2438.4 [96.00]
C1QHAS66S62XXRX	1676.4 [66.00]	1574.8 [62.00]	2438.4 [96.00]
C1QHAS72S64XXRX	1828.8 [72.00]	1625.6 [64.00]	2590.8 [102.00]
C1QHAS72S66XXRX	1828.8 [72.00]	1676.4 [66.00]	2590.8 [102.00]
C1QHAS72S68XXRX	1828.8 [72.00]	1727.2 [68.00]	2590.8 [102.00]
C1QHAS78S70XXRX	1981.2 [78.00]	1778.0 [70.00]	2743.2 [108.00]
C1QHAS78S72XXRX	1981.2 [78.00]	1828.8 [72.00]	2743.2 [108.00]
C1QHAS78S74XXRX	1981.2 [78.00]	1879.6 [74.00]	2743.2 [108.00]
C1QHAS84S76XXRX	2133.6 [84.00]	1930.4 [76.00]	2895.6 [114.00]
C1QHAS84S78XXRX	2133.6 [84.00]	1981.2 [78.00]	2895.6 [114.00]
C1QHAS84S80XXRX	2133.6 [84.00]	2032.0 [80.00]	2895.6 [114.00]
C1QHAS90S82XXRX	2286.0 [90.00]	2082.8 [82.00]	3048.0 [120.00]
C1QHAS90S84XXRX	2286.0 [90.00]	2133.6 [84.00]	3048.0 [120.00]
C1QHAS90S86XXRX	2286.0 [90.00]	2184.4 [86.00]	3048.0 [120.00]
C1QHAS96S88XXRX	2438.4 [96.00]	2235.2 [88.00]	3200.4 [126.00]
C1QHAS96S90XXRX	2438.4 [96.00]	2286.0 [90.00]	3200.4 [126.00]
C1QHAS96S92XXRX	2438.4 [96.00]	2336.8 [92.00]	3200.4 [126.00]
C1QHASA2S94XXRX	2590.8 [102.00]	2387.6 [94.00]	3352.8 [132.00]
C1QHASA2S96XXRX	2590.8 [102.00]	2438.4 [96.00]	3352.8 [132.00]
C1QHASA2S98XXRX	2590.8 [102.00]	2489.2 [98.00]	3352.8 [132.00]
C1QHASA8SA0XXRX	2743.2 [108.00]	2540.0 [100.00]	3505.2 [138.00]
C1QHASA8SA2XXRX	2743.2 [108.00]	2590.8 [102.00]	3505.2 [138.00]
C1QHASA8SA4XXRX	2743.2 [108.00]	2641.6 [104.00]	3505.2 [138.00]

- NOTES:
- ALL DIMENSIONS ARE GIVEN IN MILLIMETERS [INCHES] AND ARE FOR REFERENCE ONLY.
 - IN THE C1QHA PART NUMBER THE FIRST SXX INDICATES THE BELT WIDTH IN STANDARD INCH UNITS. THE NEXT SXX INDICATES THE BLADE LENGTH IN STANDARD INCH UNITS FOR BELT WIDTHS 457.2 [18.00] THRU 2438.4 [96.00].
000 = NO BLADE
SA0 = 2540.0 [100.00]
SA2 = 2590.8 [102.00]
SA4 = 2641.6 [104.00]
SAB = 2743.2 [108.00]
 - THE FIFTH X IN THE PART NUMBER INDICATES THE BLADE COLOR:
0 = NO BLADE
B = BROWN
T = TAN
G = GREEN
N = NAVY BLUE
O = ORANGE
 - THE SIXTH X INDICATES IF THE BLADE IS SOLID OR SEGMENTED:
0 = SEGMENTED BLADE / NO BLADE
1 = SOLID BLADE
 - THE 'R' IN THE PART NUMBER INDICATES A ROLL FORMED MAINFRAME
THE SEVENTH X INDICATES THE TENSIONER OPTIONS:
BLANK = NO TENSIONER
T = TWIST TENSIONER (38850)
S = SPRING TENSIONER (38180)
 - ADD AN L TO THE END OF THE PART NUMBER TO GET A CLEANER LESS THE TORQUE TUBES.
 - THE FRAME IS ADJUSTABLE TO DESIRED LENGTH.
FOR BELT WIDTHS 1219.2 [48.00] AND UNDER A SINGLE TWIST TENSIONER ASSEMBLY IS REQUIRED (P/N 38850). SEE S50123-TS.
 - WHERE EXTREME OR UNUSUAL CONDITIONS EXIST, OR SPECIAL MAINFRAME LENGTHS ARE REQUIRED CONTACT MARTIN ENGINEERING.
 - TWIST TENSIONER MAY BE BOLTED OR WELDED IN PLACE. MARTIN ENGINEERING RECOMMENDS BOLTING WHEN APPLICABLE FOR EASIER MAINTENANCE AND ACCESSIBILITY. IF WELDING IS REQUIRED USE TWIST TENSIONER P/N 38850-A.
 - REFER TO OPERATOR'S MANUALS M3837 AND M4101 FOR INSTALLATION INSTRUCTIONS.
 - CLEANER CAN BE LOCATED ANYWHERE ALONG THE ARC, AS LONG AS THE MAINFRAME IS OUT OF MATERIAL TRAJECTORY AND THE BLADE TIPS ARE BELOW THE HORIZONTAL CENTERLINE OF THE HEAD PULLEY.
 - THE HD QB1 PRE-CLEANER BLADE IS DESIGNED TO REMOVE THE INITIAL CARRYBACK ONLY. DO NOT OVER TENSION.
 - THE HD QB1 PRE-CLEANER BLADE IS DESIGNED FOR HEAD PULLEYS WITH A DIAMETER OF 406.4 [16.00] TO 558.8 [22.00].
 - BLADE COVERAGE IS LESS THAN BELT WIDTH, DUE TO POSSIBLE MISTRACKING OR DAMAGED EDGES OF THE BELT.
 - INSIDE CHUTE WALL WIDTH MUST BE A MINIMUM OF BELT WIDTH PLUS 127.0 [5.00] IN ORDER FOR CLEANER TO BE INSTALLED WITH TENSIONERS BOLTED DIRECTLY TO CHUTE WALL.

ASSEMBLY PART NO.	COLOR
C1QHASXXSXXBXXRX	BROWN
C1QHASXXSXXTXXRX	TAN
C1QHASXXSXXGXXRX	GREEN
C1QHASXXSXXNXXRX	NAVY BLUE
C1QHASXXSXXOXXRX	ORANGE



ITEM	QTY.	DESCRIPTION	PART NUMBER
1	1	MARTIN HD QB1 BLADE MAINFRAME ASM	C1QHASXXSXXRX
2	1	MARTIN DUAL TWIST TENSIONER ASM	38850-2
3	1	MARTIN LOW PROFILE STL DOOR 9X12	CYA-0912



© Copyright 2018 Martin Engineering. All rights reserved. Covered by U.S. and foreign patents pending and issued. ® and TM indicate trademarks of Martin Engineering.

MARTIN ENGINEERING
NEPONSET, IL USA

TITLE: MARTIN HD QB1 ASM WITH DUAL TWIST TENS ASM & STEEL DOOR
DRAWN: RND DATE: 03/05/18
CHECKED: ENG. DATE: 03/09/18
APPROVED: DATE: 03/09/18
SCALE: 1/4

SALES DRAWING S50123-TD
PR13501C

NO.	DESCRIPTION	ECN	DATE	BY