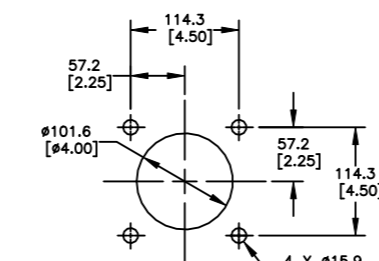


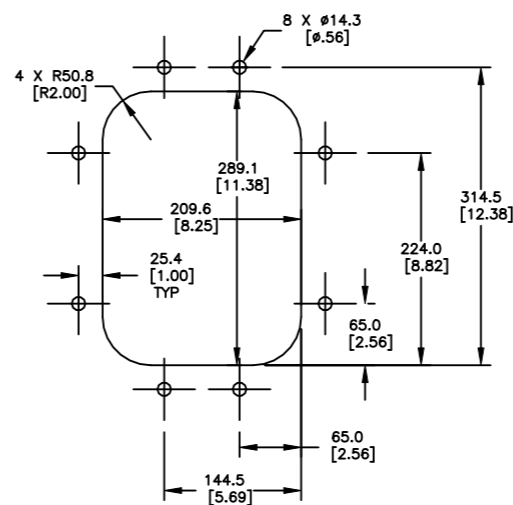
PART NUMBER	BELT WIDTH	DIMENSION "A" BLADE COVERAGE	DIMENSION "B" FRAME LENGTH
C1QHAS18S10XXRX	457.2 [18.00]	254.0 [10.00]	863.6 [34.00]
C1QHAS18S12XXRX	457.2 [18.00]	304.8 [12.00]	863.6 [34.00]
C1QHAS18S14XXRX	457.2 [18.00]	355.6 [14.00]	863.6 [34.00]
C1QHAS24S16XXRX	609.6 [24.00]	406.4 [16.00]	1016.0 [40.00]
C1QHAS24S18XXRX	609.6 [24.00]	457.2 [18.00]	1016.0 [40.00]
C1QHAS24S20XXRX	609.6 [24.00]	508.0 [20.00]	1016.0 [40.00]
C1QHAS30S22XXRX	762.0 [30.00]	558.8 [22.00]	1168.4 [46.00]
C1QHAS30S24XXRX	762.0 [30.00]	609.6 [24.00]	1168.4 [46.00]
C1QHAS30S26XXRX	762.0 [30.00]	660.4 [26.00]	1168.4 [46.00]
C1QHAS36S28XXRX	914.4 [36.00]	711.2 [28.00]	1524.0 [60.00]
C1QHAS36S30XXRX	914.4 [36.00]	762.0 [30.00]	1524.0 [60.00]
C1QHAS36S32XXRX	914.4 [36.00]	812.8 [32.00]	1524.0 [60.00]
C1QHAS42S34XXRX	1066.8 [42.00]	863.6 [34.00]	1828.8 [72.00]
C1QHAS42S36XXRX	1066.8 [42.00]	914.4 [36.00]	1828.8 [72.00]
C1QHAS42S38XXRX	1066.8 [42.00]	965.2 [38.00]	1828.8 [72.00]
C1QHAS48S40XXRX	1219.2 [48.00]	1016.0 [40.00]	1981.2 [78.00]
C1QHAS48S42XXRX	1219.2 [48.00]	1066.8 [42.00]	1981.2 [78.00]
C1QHAS48S44XXRX	1219.2 [48.00]	1117.6 [44.00]	1981.2 [78.00]

- NOTES:
- ALL DIMENSIONS ARE GIVEN IN MILLIMETERS [INCHES] AND ARE FOR REFERENCE ONLY.
 - IN THE C1QHA PART NUMBER THE FIRST SXX INDICATES THE BELT WIDTH IN STANDARD INCH UNITS. THE NEXT SXX INDICATES THE BLADE LENGTH IN STANDARD INCH UNITS FOR BELT WIDTHS 457.2 [18.00] THRU 2438.4 [96.00].
 000 = NO BLADE
 SA0 = 2540.0 [100.00]
 SA2 = 2590.8 [102.00]
 SA4 = 2641.6 [104.00]
 SA8 = 2743.2 [108.00]
 - THE FIFTH X IN THE PART NUMBER INDICATES THE BLADE COLOR:
 0 = NO BLADE
 B = BROWN
 T = TAN
 G = GREEN
 N = NAVY BLUE
 O = ORANGE
 - THE SIXTH X INDICATES IF THE BLADE IS SOLID OR SEGMENTED:
 0 = SEGMENTED BLADE / NO BLADE
 1 = SOLID BLADE
 - THE R IN THE PART NUMBER INDICATES A ROLL FORMED MAINFRAME
 THE SEVENTH X INDICATES THE TENSIONER OPTIONS:
 BLANK = NO TENSIONER
 T = TWIST TENSIONER (38850)
 S = SPRING TENSIONER (38180)
 ADD AN L TO THE END OF THE PART NUMBER TO GET A CLEANER LESS THE TORQUE TUBES.
 - THE FRAME IS ADJUSTABLE TO DESIRED LENGTH.
 - FOR BELT WIDTHS 1371.6 [54.00] AND OVER A DUAL SPRING TENSIONER ASSEMBLY IS REQUIRED (P/N 38180-2). SEE S50123-SD.
 - WHERE EXTREME OR UNUSUAL CONDITIONS EXIST, OR SPECIAL MAINFRAME LENGTHS ARE REQUIRED CONTACT MARTIN ENGINEERING.
 - SPRING TENSIONER MAY BE BOLTED OR WELDED IN PLACE. MARTIN ENGINEERING RECOMMENDS BOLTING WHEN APPLICABLE FOR EASIER MAINTENANCE AND ACCESSIBILITY.
 - REFER TO OPERATOR'S MANUALS M3263 AND M4101 FOR INSTALLATION INSTRUCTIONS.
 - CLEANER CAN BE LOCATED ANYWHERE ALONG THE ARC. AS LONG AS THE MAINFRAME IS OUT OF MATERIAL TRAJECTORY AND THE BLADE TIPS ARE BELOW THE HORIZONTAL CENTERLINE OF THE HEAD PULLEY.
 - THE HD QB1 PRE-CLEANER BLADE IS DESIGNED TO REMOVE THE INITIAL CARRYBACK ONLY. DO NOT OVER TENSION.
 - THE HD QB1 PRE-CLEANER BLADE IS DESIGNED FOR HEAD PULLEYS WITH A DIAMETER OF 406.4 [16.00] TO 558.8 [22.00].
 - BLADE COVERAGE IS LESS THAN BELT WIDTH, DUE TO POSSIBLE MISTRACKING OR DAMAGED EDGES OF THE BELT.
 - INSIDE CHUTE WALL WIDTH MUST BE A MINIMUM OF BELT WIDTH PLUS 127.0 [5.00] IN ORDER FOR CLEANER TO BE INSTALLED WITH TENSIONERS BOLTED DIRECTLY TO CHUTE WALL.

ASSEMBLY PART NO.	COLOR
C1QHASXXSXXBXXRX	BROWN
C1QHASXXSXXTXXRX	TAN
C1QHASXXSXXGXXRX	GREEN
C1QHASXXSXXNXXRX	NAVY BLUE
C1QHASXXSXXOXXRX	ORANGE

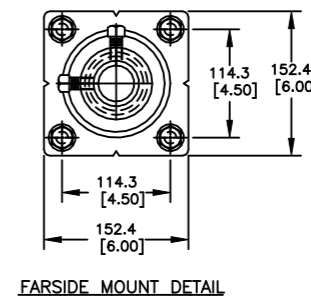


TENSIONER CHUTE WALL CUTOUT DETAIL
TYPICAL BOTH SIDES

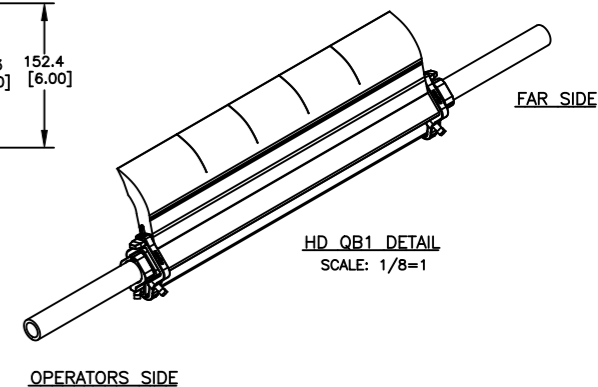


DOOR CUTOUT DETAIL
FOR STEEL ACCESS DOOR

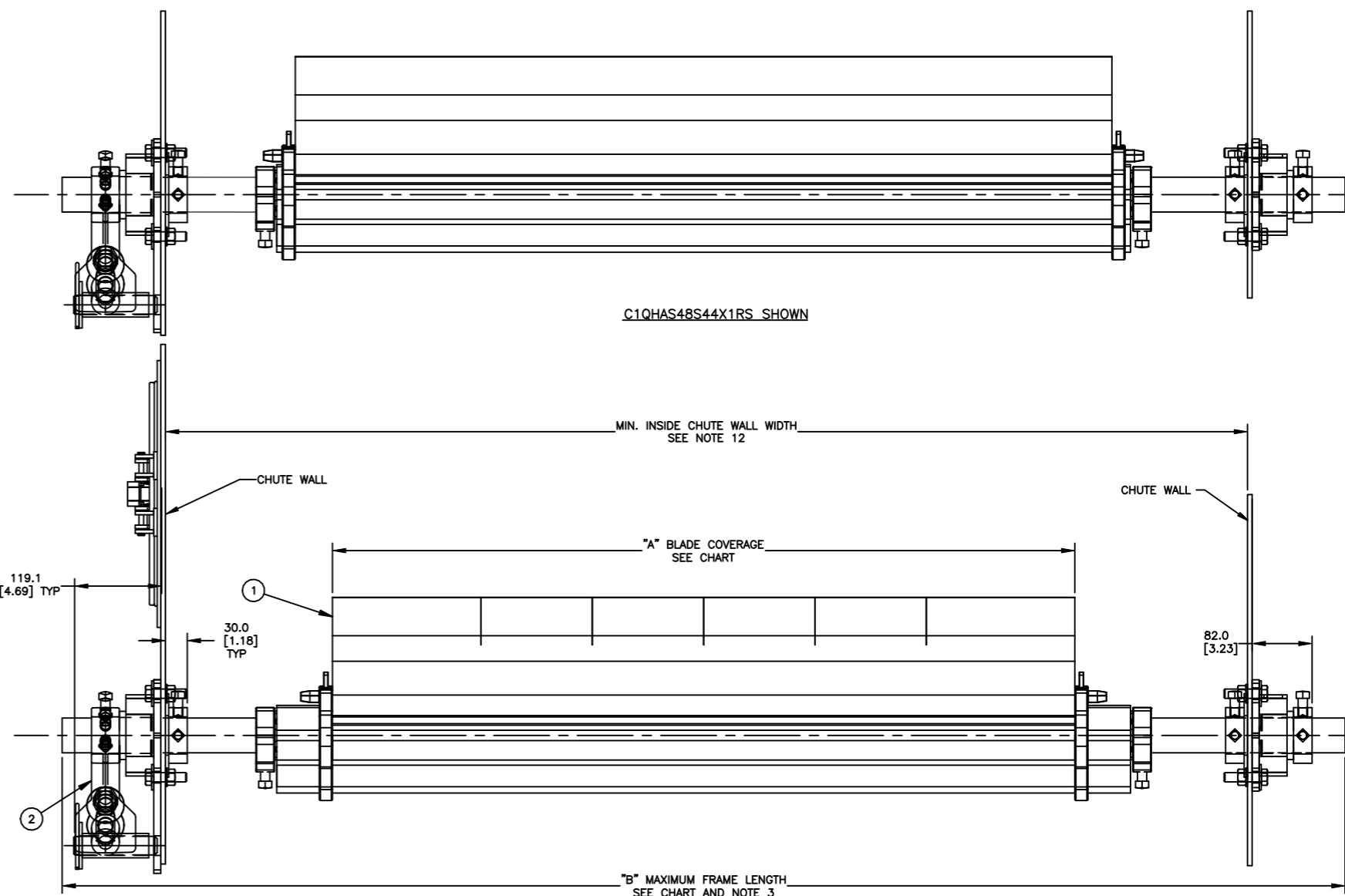
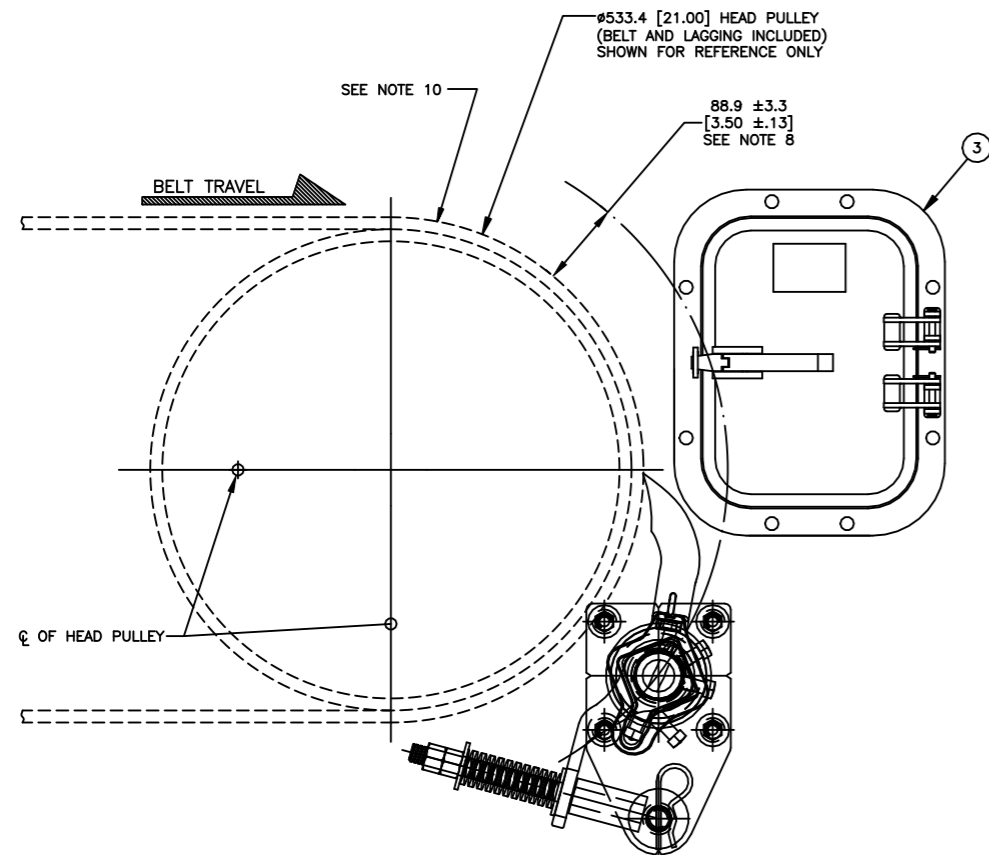
ITEM	QTY.	DESCRIPTION	PART NUMBER
1	1	MARTIN HD QB1 BLADE MAINFRAME ASM	C1QHASXXSXXXXRX
2	1	MARTIN SPRING TENSIONER ASM	38180
3	1	MARTIN LOW PROFILE STL DOOR 9X12	CYA-0912



FARSIDE MOUNT DETAIL



HD QB1 DETAIL
SCALE: 1/8=1



C1QHAS48S40XORS SHOWN
HEAD PULLEY NOT SHOWN FOR CLARITY

© Copyright 2018 Martin Engineering. All rights reserved. Covered by U.S. and foreign patents pending and issued. ® and TM indicate trademarks of Martin Engineering.

MARTIN ENGINEERING
NEPONSET, IL USA

TITLE: MARTIN HD QB1 ASM WITH SPRING TENSIONER ASM & STEEL DOOR
 DRAWN RND: DATE 03/05/18
 CHECKED: ENG. DATE 03/09/18
 APPROVED: DATE 03/09/18
 SCALE: 1/4

NO.	DESCRIPTION	ECN	DATE	BY	SALES DRAWING
AutoCAD	REVISION				

PR13501C S50123-SS