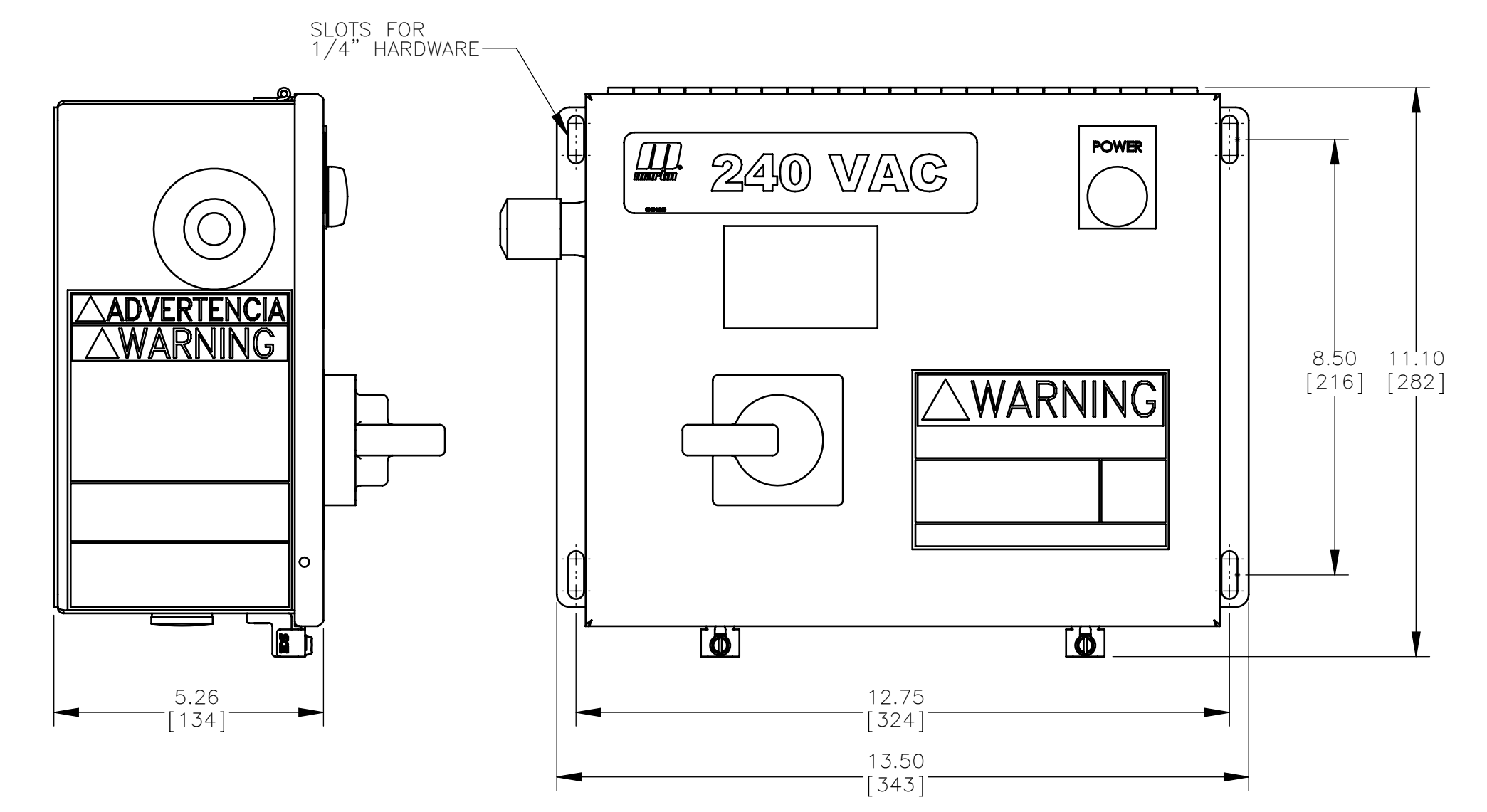
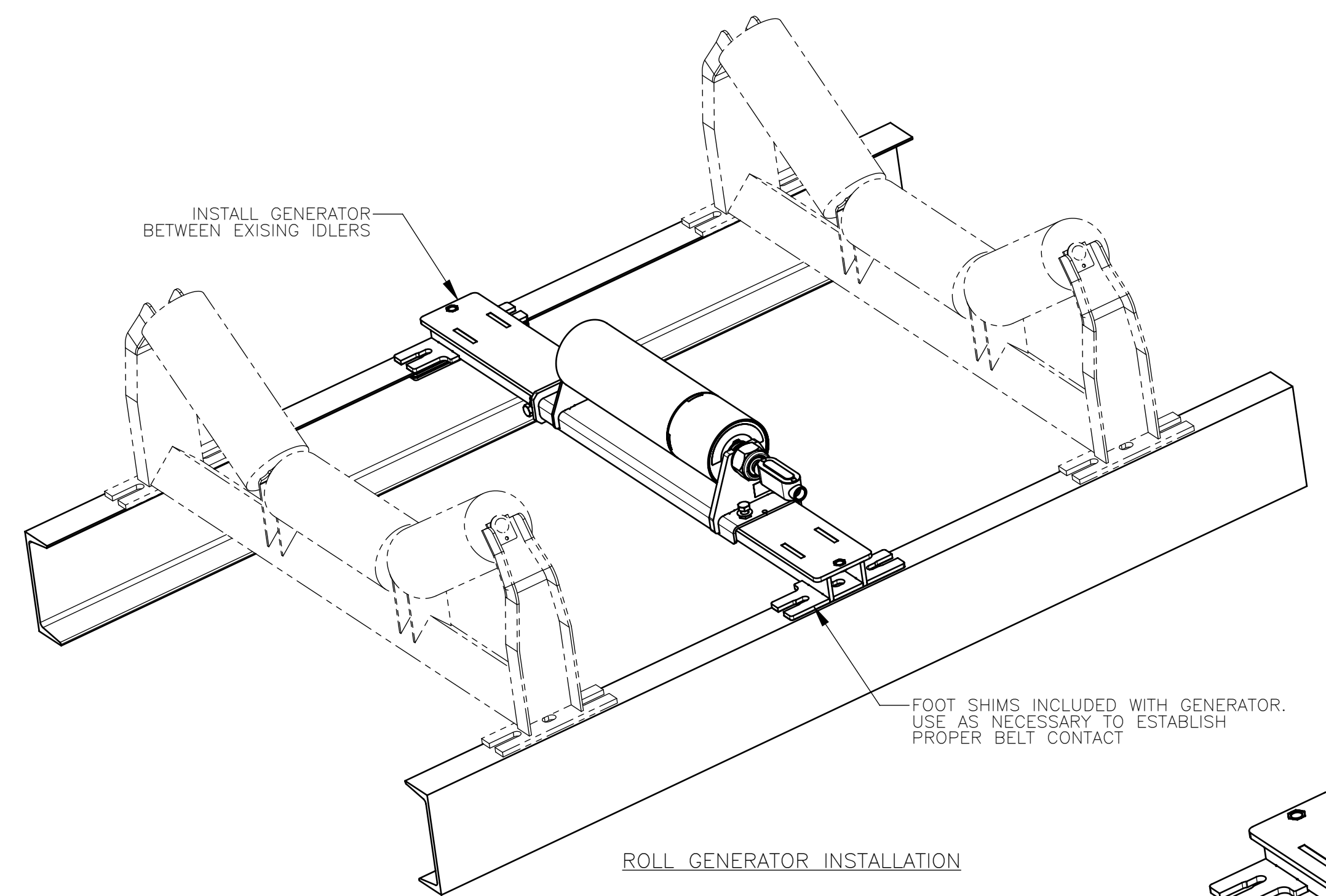
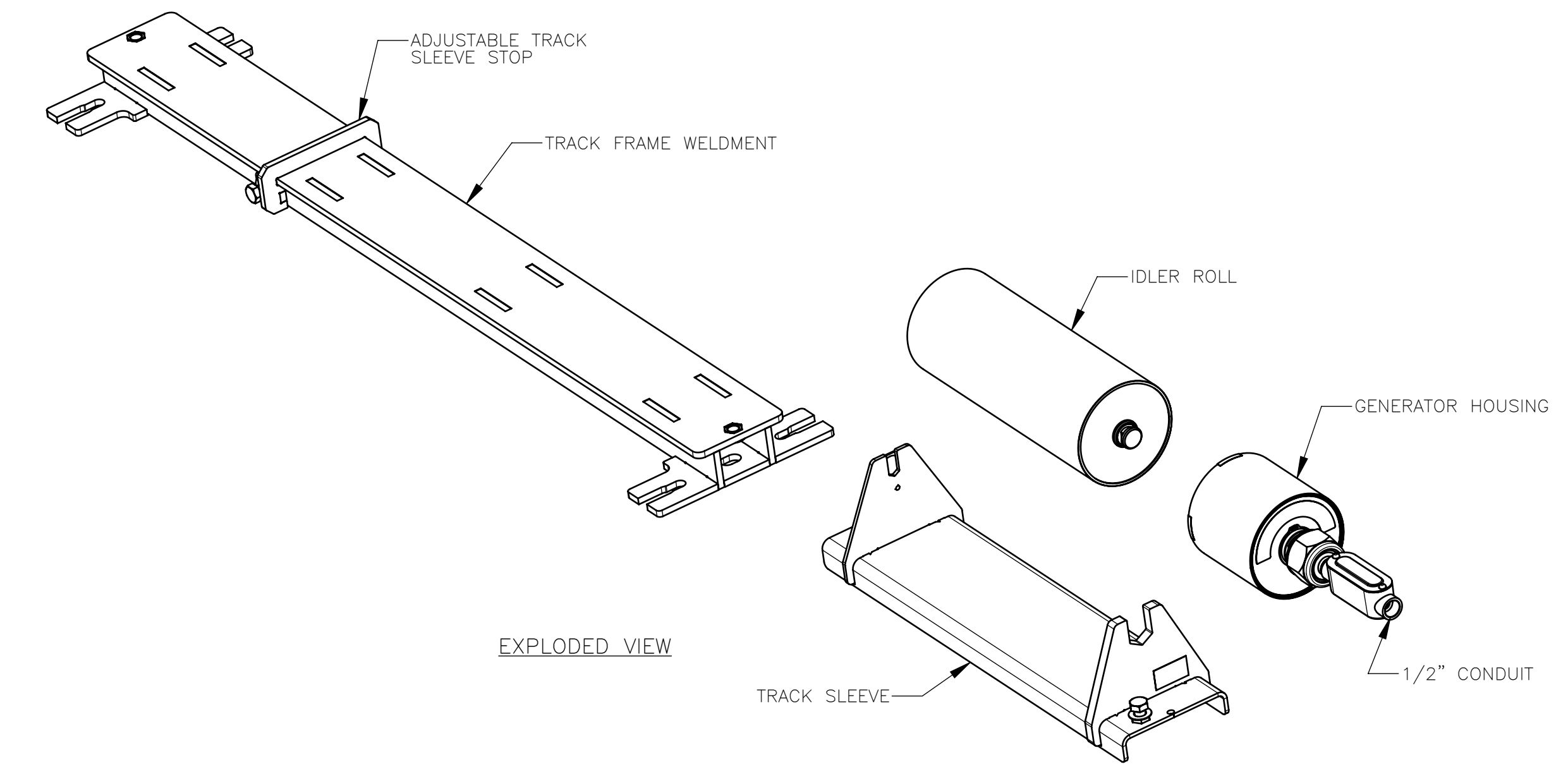


PART NO.	DIM "A"	DIM "B"	DIM "C"	DIM "D"	DIM "K" Ø5.00 ROLL	DIM "K" Ø6.00 ROLL	DIM "K" Ø7.00 ROLL
CEMA C & D APPLICATIONS							
RGTMDXP-24CRSX	33.00	6.00	33.50	9.50	8.50	9.00	N/A
RGTMDXP-24CRWX	39.00		41.50				
RGTMDXP-30CRSX	39.00		41.50				
RGTMDXP-30CRWX	45.00		47.50				
RGTMDXP-36CRSX	45.00		47.50				
RGTMDXP-36CRWX	51.00	53.50					
RGTMDXP-42CRSX	51.00	7.50	53.50	10.50	9.00	9.5	N/A
RGTMDXP-42CRWX	57.00		59.50				
RGTMDXP-48CRSX	57.00		59.50				
RGTMDXP-48CRWX	63.00		65.50				
RGTMDXP-54CRSX	63.00		65.50				
RGTMDXP-54CRWX	69.00	71.50					
RGTMDXP-60CRSX	69.00	9.00	71.50	10.50	9.25	9.75	N/A
RGTMDXP-60CRWX	75.00		77.50				
RGTMDXP-72CRSX	81.00		77.50				
RGTMDXP-72CRWX	87.00		83.50				
RGTMDXP-72CRWX	87.00		83.50				
CEMA E APPLICATIONS							
RGTMIEXP-36CRSX	45.00	9.50	48.00	12.00	N/A	10.75	11.25
RGTMIEXP-36CRWX	51.00		54.00				
RGTMIEXP-42CRSX	51.00		54.00				
RGTMIEXP-42CRWX	57.00		60.00				
RGTMIEXP-48CRSX	57.00		60.00				
RGTMIEXP-48CRWX	63.00		66.00				
RGTMIEXP-54CRSX	63.00		66.00				
RGTMIEXP-54CRWX	69.00		72.00				
RGTMIEXP-60CRSX	69.00		72.00				
RGTMIEXP-60CRWX	75.00		78.00				
RGTMIEXP-66CRSX	75.00	12.00	78.00	14.50	N/A	11.75	12.25
RGTMIEXP-66CRWX	81.00		84.00				
RGTMIEXP-72CRSX	81.00		84.00				
RGTMIEXP-72CRWX	87.00		90.00				
RGTMIEXP-84CRSX	93.00		96.00				
RGTMIEXP-84CRWX	99.00	102.00					
RGTMIEXP-96CRSX	105.00	108.00					
RGTMIEXP-96CRWX	111.00	114.00					

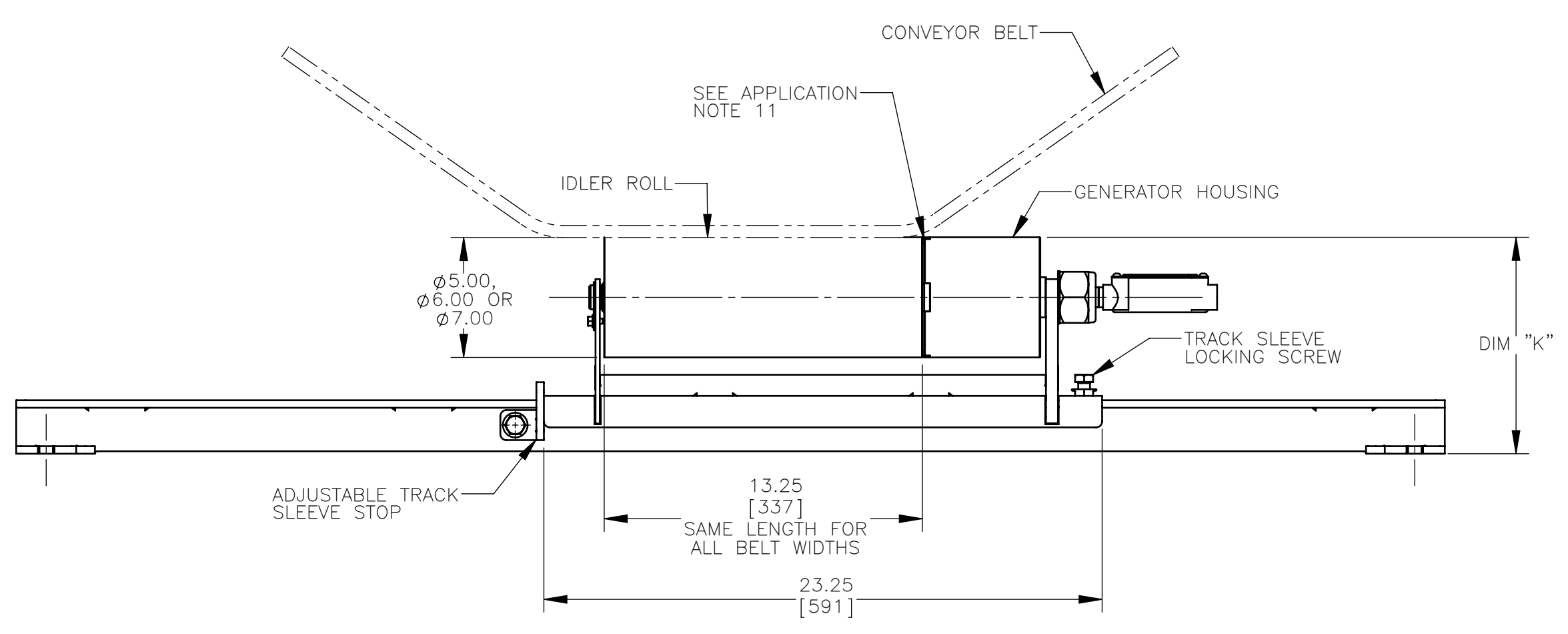
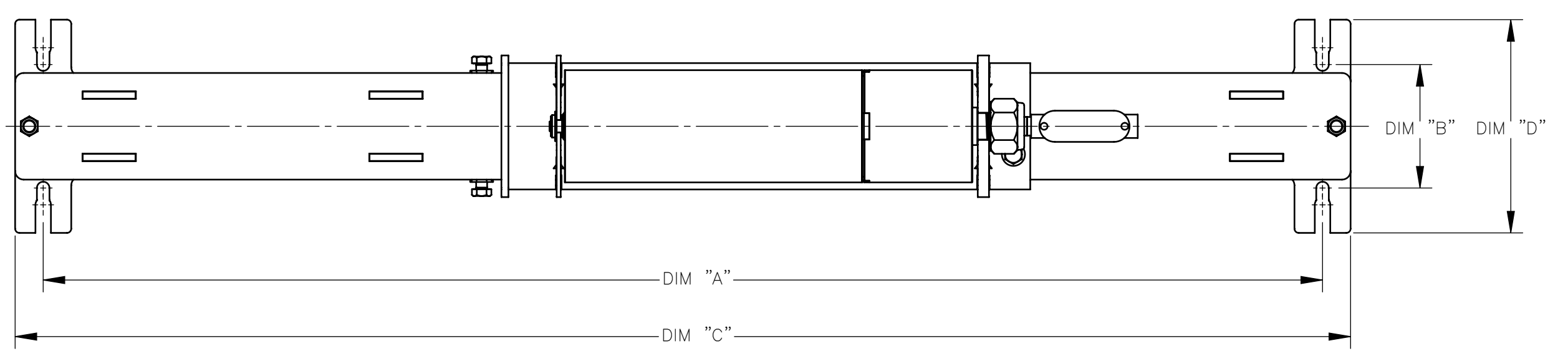


CONTROL PANEL DETAIL
SCALE 3:8

ROLL GENERATOR INSTALLATION



EXPLODED VIEW



CENTER MOUNTED ROLL GENERATOR
SCALE 3:16

APPLICATION NOTES:

- GENERATOR OUTPUT IS MAXIMUM 240VAC. THE CONTROL PANEL CONVERTS THE AC VOLTAGE TO 24VDC.
- CONTACT MARTIN ENGINEERING FOR APPLICATIONS THAT THE ROLL GENERATOR CAN PROVIDE POWER FOR.
- CONTROL PANEL CAN BE MOUNTED IN ANY LOCATION NEAR THE GENERATOR.
- ALL INCLUDED ELECTRICAL CONNECTIONS PROVIDED ON THE GENERATOR AND CONTROL PANEL ARE FOR 1/2" CONDUIT.
- THE END USER IS TO SUPPLY THE NECESSARY CONDUIT, CONDUIT FITTINGS AND ASSOCIATED WIRES TO CONNECT THE GENERATOR TO THE CONTROL PANEL AND THE POWERED DEVICE.
- ALL WIRING MUST BE COMPLETED ACCORDING TO THE NATIONAL ELECTRIC CODE AND OTHER LOCAL CODES AND REGULATIONS.
- INSTALL THE ROLL GENERATOR IN BETWEEN TWO EXISTING TROUGHING IDLERS. IT IS NOT RECOMMENDED TO INSTALL A GENERATOR IN AN AREA WHERE THERE IS ANY IMPACT FROM BELT LOADING.
- THE GENERATOR MUST BE INSTALLED WHERE THE BELT WILL CONTACT THE GENERATOR AT ALL TIMES THE BELT IS RUNNING BOTH LOADED AND UNLOADED.
- THE CENTER MOUNTED GENERATOR IS AVAILABLE TO MATCH UP TO ALL CEMA C5, C6, D5, D6, E6 & E7 IDLERS.
- SHIMS ARE INCLUDED WITH THE ROLL GENERATOR TO ADJUST THE HEIGHT THAT THE GENERATOR CONTACTS THE BELT. PROPER BELT CONTACT MUST BE MAINTAINED FOR THE GENERATOR TO OPERATE PROPERLY.
- INSTALL THE CENTER MOUNTED GENERATOR SO THE JOINT BETWEEN THE INCLUDED IDLER ROLL AND GENERATOR HOUSING IS NEAR THE HORIZONTAL AND ANGLED JUNCTION JOINT OF THE BELT WHEN THE BELT IS LOADED.

NOTES:

- ALL DIMENSIONS ARE GIVEN IN INCHES [MM].
- ALL DIMENSIONS ARE FOR REFERENCE ONLY.
- PART NUMBER BREAK DOWN:
RGTMI = ROLL GENERATOR TRAC MOUNT IDLER
X = CEMA CLASSIFICATION (D OR E) (USE D FOR C BELTS)
X = ROLL DIAMETER (5, 6 OR 7)
P = ROLL MANUFACTURER (PP)
XX = BELT WIDTH (24 THRU 96)
CR = CENTER MOUNTED GENERATOR
X = STANDARD (S) OR WIDE (W) BASE STRINGER
X = SENSOR OPTIONS:
D = WITH DIRECTION SENSOR KIT
REFER TO DRAWING S50015 FOR MORE INFO ON SENSOR
BLANK = WITHOUT DIRECTION SENSOR KIT

© Copyright 2017 Martin Engineering. All rights reserved. Covered by U.S. and foreign patents pending and issued. ® and ™ indicate trademarks of Martin Engineering.

		MARTIN ENGINEERING NEPONSET, IL USA		
		TITLE	CENTER MOUNTED ROLL GENERATOR	
NO.	DESCRIPTION	ECN	DATE	BY
SOLIDWORKS	REVISION			
SALES DRAWING		PR13322		S50116-C
DATE	CHECKED	DATE	APPROVED	SCALE
02/08/17	JAP	02/10/17	JAP	1:8

NO.	DESCRIPTION	ECN	DATE	BY
SOLIDWORKS	REVISION			