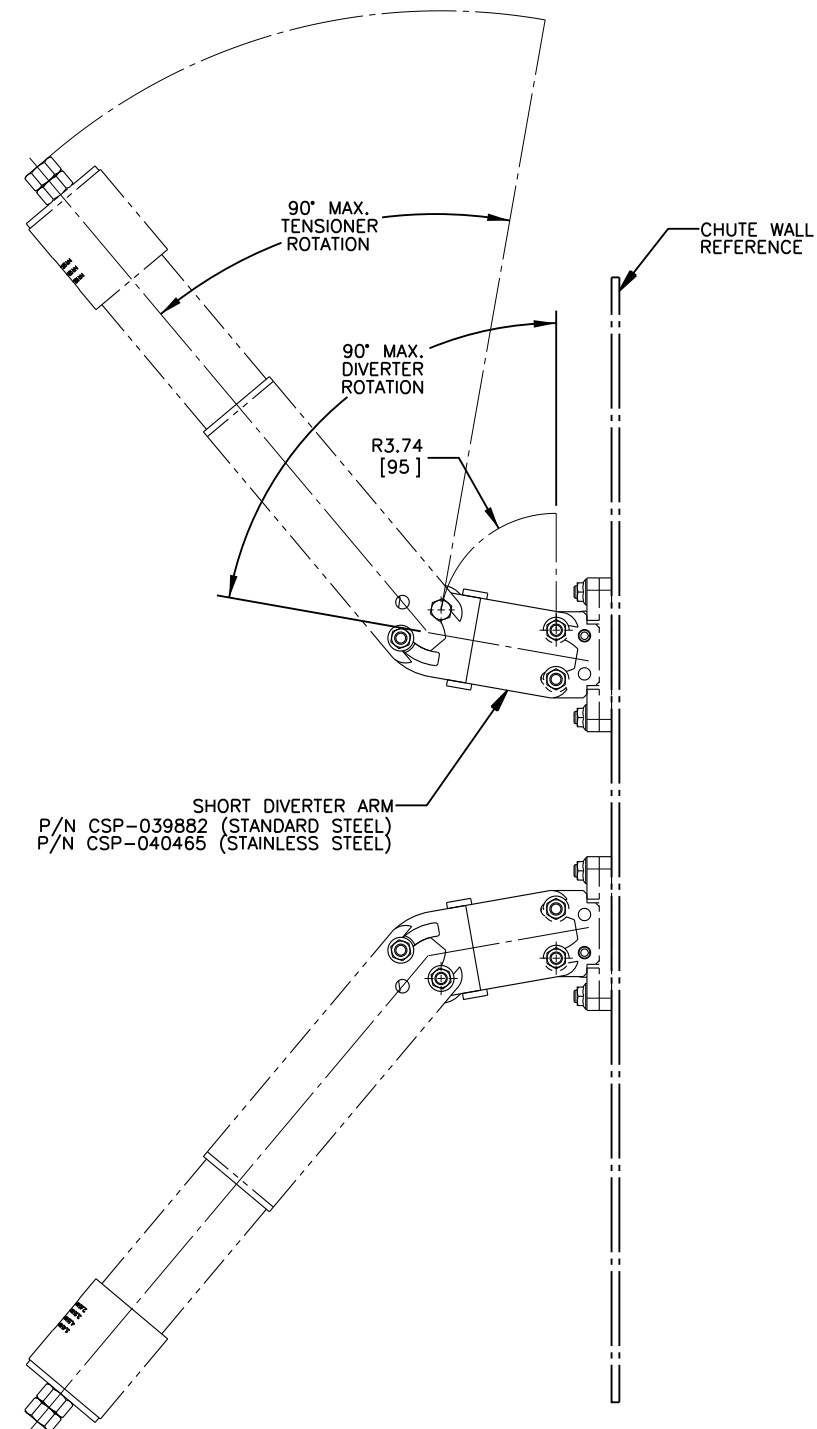


LONG DIVERTER ARM
 P/N CSP-039888 (STANDARD STEEL)
 P/N CSP-040467 (STAINLESS STEEL)



SHORT DIVERTER ARM
 P/N CSP-039882 (STANDARD STEEL)
 P/N CSP-040465 (STAINLESS STEEL)

- NOTES:
 1) ALL DIMENSIONS ARE GIVEN IN INCHES [MM].
 2) ALL DIMENSIONS ARE FOR REFERENCE ONLY.
 3) DIVERTERS ARE ONLY USED ON THE MEDIUM AND LARGE CLEANER ASSEMBLIES WITH CHAIN LINK TENSIONERS.

© Copyright 2015 Martin Engineering. All rights reserved. Covered by U.S. and foreign patents pending and issued. ® and ™ indicate trademarks of Martin Engineering.



MARTIN ENGINEERING-USA
 NEPINSET, IL USA

TITLE	CLEANSCAPE TENSIONER DIVERTER	DRAWN RND
DATE		06/23/15
ENG.	SALES DRAWING	CHECKED
DATE		07/24/15
APPROVED	S50110-TD	DATE
DATE		07/24/15
SCALE		1:4

NO.	DESCRIPTION	ECN	DATE	BY
SOLIDWORKS	REVISION			

