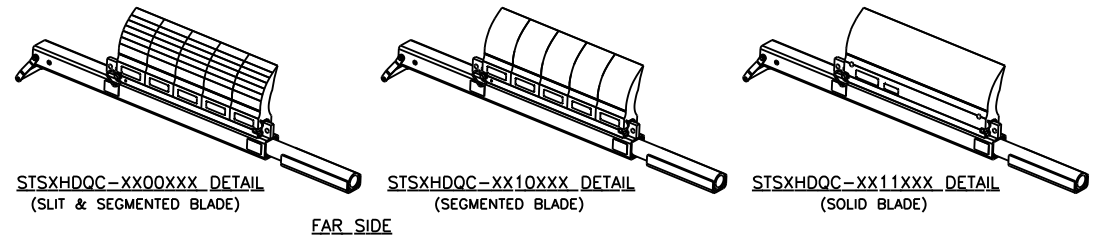


PART NUMBER	BELT WIDTH	DIMENSION "A" BLADE WIDTH	DIMENSION "B" FRAME LENGTH	DIMENSION "C" OVERALL LENGTH	PART NO. ITEM 3
STSXHDQC-24XX12XXX	24.00 [500-650]	12.00 [305]	37.25 [946]	54.75 [1391]	39241-24
STSXHDQC-24XX18XXX	24.00 [500-650]	18.00 [457]	37.25 [946]	54.75 [1391]	39241-24
STSXHDQC-30XX18XXX	30.00 [650-800]	18.00 [457]	43.25 [1099]	60.75 [1543]	39241-30
STSXHDQC-30XX24XXX	30.00 [650-800]	24.00 [610]	43.25 [1099]	60.75 [1543]	39241-30
STSXHDQC-36XX24XXX	36.00 [800-1000]	24.00 [610]	49.25 [1251]	66.75 [1695]	39241-36
STSXHDQC-36XX30XXX	36.00 [800-1000]	30.00 [762]	49.25 [1251]	66.75 [1695]	39241-36
STSXHDQC-42XX30XXX	42.00 [1000-1200]	30.00 [762]	55.25 [1403]	72.75 [1848]	39241-42
STSXHDQC-42XX36XXX	42.00 [1000-1200]	36.00 [914]	55.25 [1403]	72.75 [1848]	39241-42
STSXHDQC-48XX36XXX	48.00 [1200-1400]	36.00 [914]	61.25 [1556]	78.75 [2000]	39241-48
STSXHDQC-48XX42XXX	48.00 [1200-1400]	42.00 [1067]	61.25 [1556]	78.75 [2000]	39241-48
STSXHDQC-54XX42XXX	54.00 [1400-1600]	42.00 [1067]	67.25 [1708]	84.75 [2153]	39241-54
STSXHDQC-54XX48XXX	54.00 [1400-1600]	48.00 [1219]	67.25 [1708]	84.75 [2153]	39241-54
STSXHDQC-60XX48XXX	60.00 [1600-1800]	48.00 [1219]	73.25 [1861]	90.75 [2305]	39241-60
STSXHDQC-60XX54XXX	60.00 [1600-1800]	54.00 [1372]	73.25 [1861]	90.75 [2305]	39241-60
STSXHDQC-66XX54XXX	66.00 [1600-1800]	54.00 [1372]	79.25 [2013]	96.75 [2457]	39241-66
STSXHDQC-66XX60XXX	66.00 [1600-1800]	60.00 [1524]	79.25 [2013]	96.75 [2457]	39241-66
STSXHDQC-72XX60XXX	72.00 [1800-2000]	60.00 [1524]	85.25 [2165]	102.75 [2610]	39241-72
STSXHDQC-72XX66XXX	72.00 [1800-2000]	66.00 [1676]	85.25 [2165]	102.75 [2610]	39241-72

ASSEMBLY PART NO.	COLOR
STSXHDQC-XXXXXXX	ORANGE
STSXHDQC-XXXXXXB1X *	BLACK
STSXHDQC-XXXXXXBRX	BROWN
STSXHDQC-XXXXXXCLX	TAN
STSXHDQC-XXXXXXGRX	GREEN
STSXHDQC-XXXXXXNBX	NAVY BLUE
STSXHDQC-XXXXXXCYX *	YELLOW W/BEADS
STSXHDQC-XXXXXXYLX	YELLOW

* ONLY OFFERED IN SEGMENTED (10)

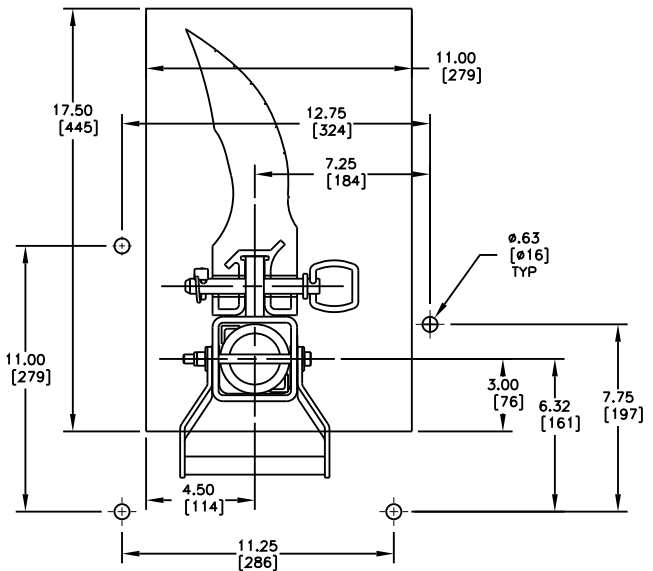
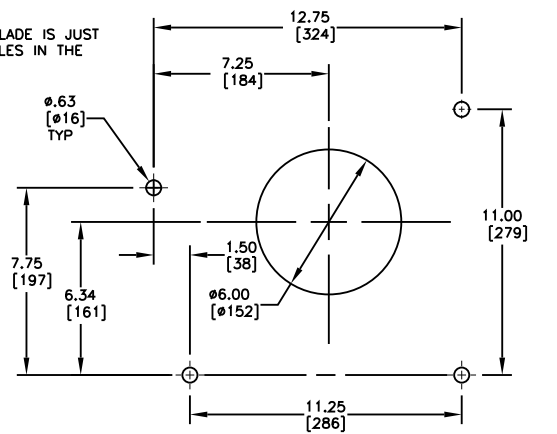
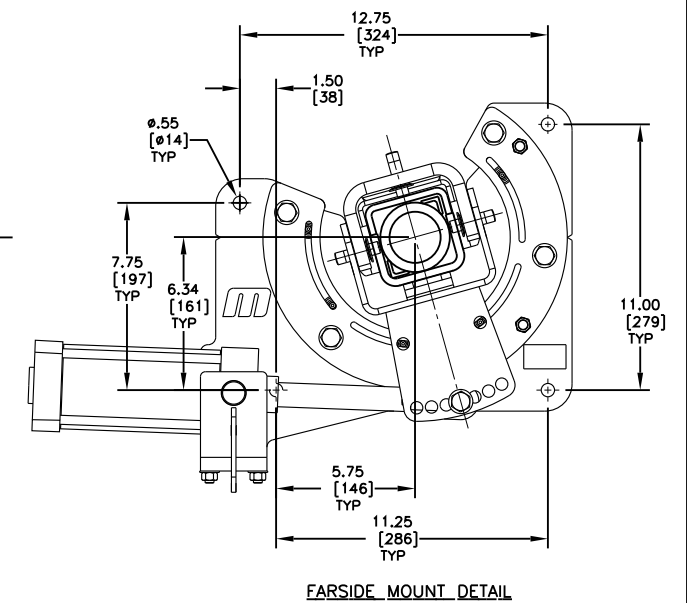
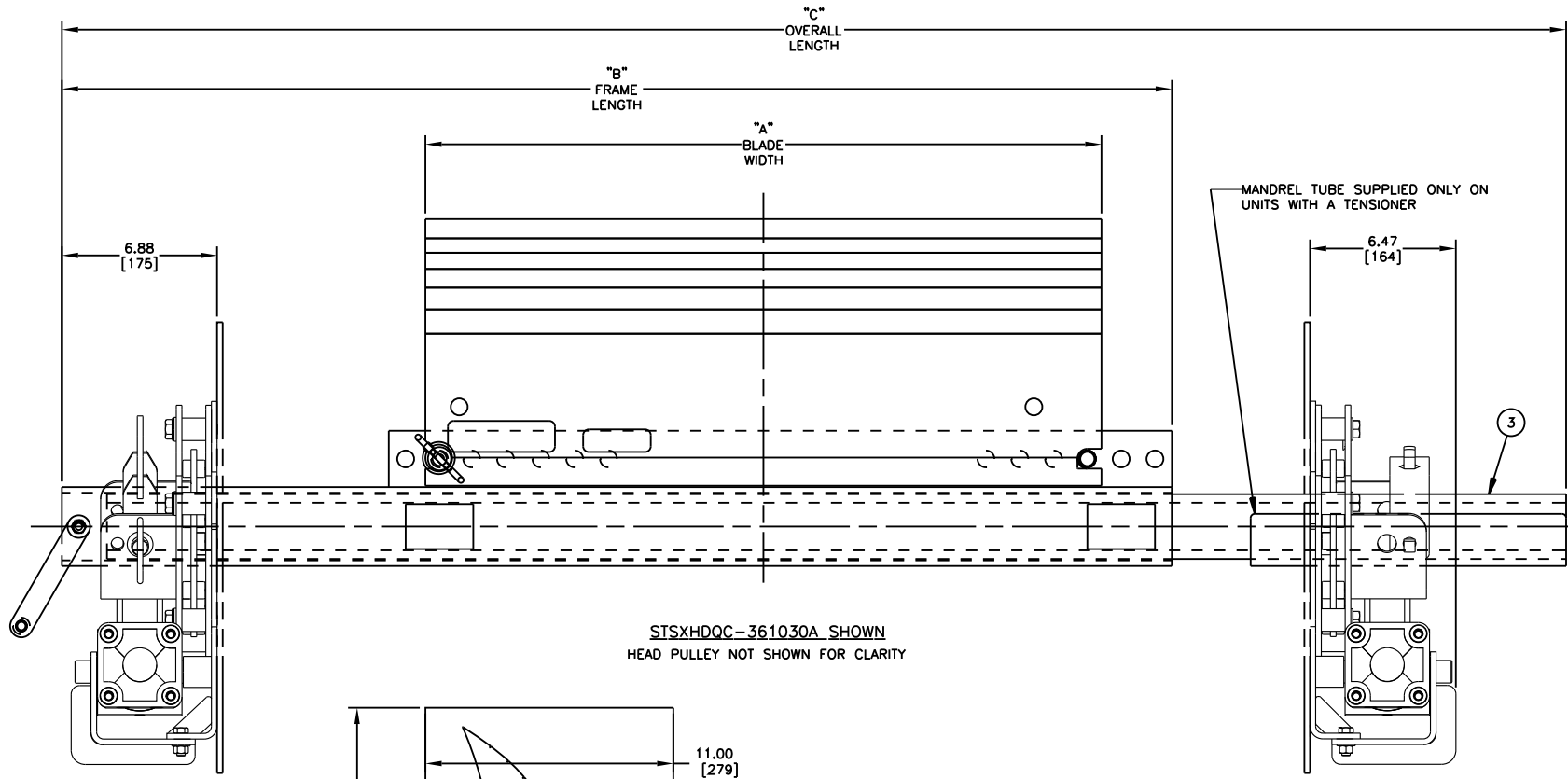
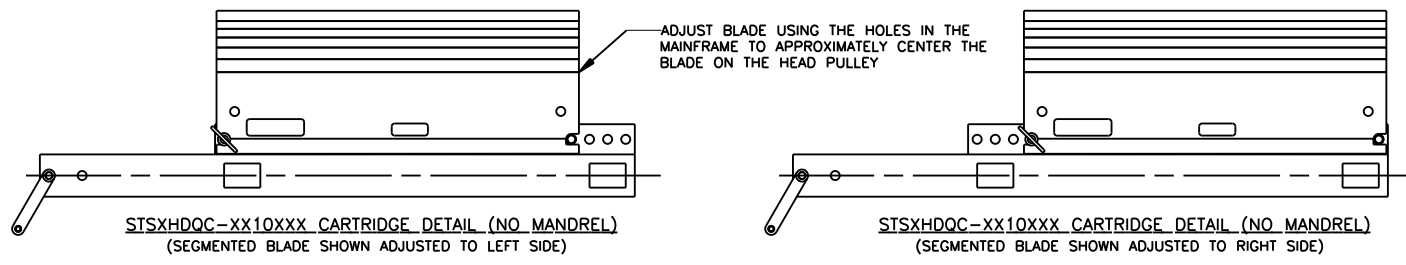
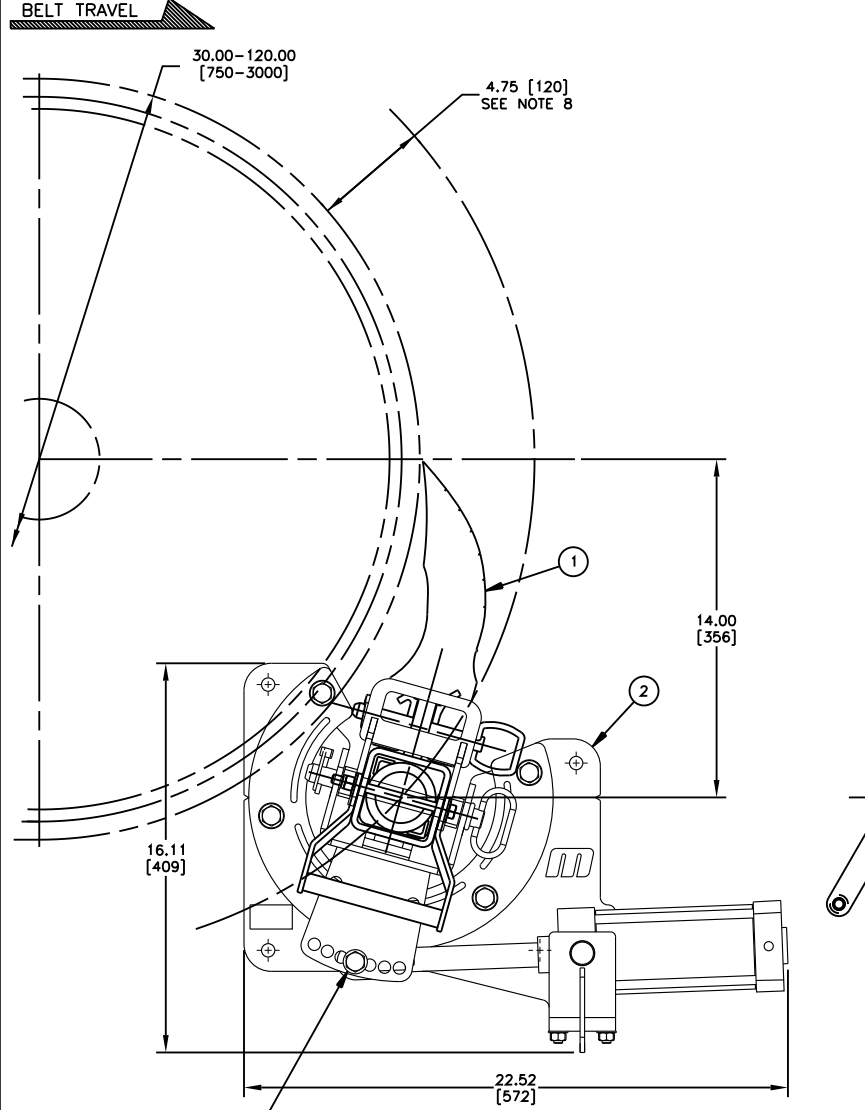
OPERATORS SIDE



ITEM	QTY.	DESCRIPTION	PART NUMBER
1	1	MARTIN® STS XHD QC1™ MAINFRAME ASM	STSXHDQC-XXXXXXX
2	1	STS XHD AIR CYLINDER TENSIONER	39100-A
3	1	STS XHD QC1™ MANDREL WELDMENT SS	SEE CHART
4	1	AIR CYLINDER PIPING/CONTROL KIT	32181

NS = NOT SHOWN

- NOTES:
- 1) ALL DIMENSIONS ARE GIVEN IN INCHES [MM] AND ARE FOR REFERENCE ONLY.
 - 2) IN THE STSXHDQC-XXXXXXX PART NUMBER THE FIRST TWO XX'S INDICATE THE BELT WIDTH. THE THIRD X INDICATES A SOLID (1) OR SLIT (0) BLADE, THE FOURTH X INDICATES A SOLID (1) OR SEGMENTED (0) BLADE. THE NEXT TWO XX'S INDICATE BLADE WIDTH. THE NEXT TWO XX'S INDICATE THE BLADE COLOR/MATERIAL (SEE BLADE COLOR CHART), THE LAST X INDICATES IF A TENSIONER/MANDREL IS INCLUDED.
- EXAMPLES:
 STSXHDQC-361130A = 36" BELT WIDTH, 30" BLADE W/O SILTS AND SEGMENTS, WITH A AIR CYLINDER TENSIONER/MANDREL.
 STSXHDQC-361124 = 36" BELT WIDTH, 24" BLADE W/O SILTS AND SEGMENTS, WITHOUT A AIR CYLINDER TENSIONER/MANDREL.
- 3) THE PRE-CLEANER BLADE IS DESIGNED FOR HEAD PULLEY'S WITH A MINIMUM EFFECTIVE DIAMETER OF 16.00 [400]. SEE MOUNTING LOCATION CHART.
 - 4) CLEANER IS SHOWN IN RECOMMENDED WORKING POSITION.
 - 5) WHERE EXTREME OR UNUSUAL CONDITIONS EXIST, OR SPECIAL MAINFRAME LENGTHS ARE REQUIRED CONTACT MARTIN ENGINEERING.
 - 6) AIR CYLINDER TENSIONER MAY BE BOLTED OR WELDED IN PLACE. MARTIN ENGINEERING RECOMMENDS BOLTING WHEN APPLICABLE FOR EASIER MAINTENANCE AND ACCESSIBILITY.
 - 7) REFER TO OPERATOR'S MANUAL M3987 FOR COMPLETE INSTALLATION INSTRUCTIONS.
 - 8) CLEANER CAN BE LOCATED ANYWHERE ALONG THE ARC, AS LONG AS THE MAINFRAME IS OUT OF MATERIAL TRAJECTORY AND THE BLADE TIPS ARE BELOW THE HORIZONTAL CENTERLINE OF THE HEAD PULLEY.
 - 9) THE XHD QC1 PRE-CLEANER BLADES ARE DESIGNED TO REMOVE HEAVY CARRYBACK ONLY. DO NOT OVERTENSION.
 - 10) BLADE COVERAGE IS LESS THAN BELT WIDTH, DUE TO POSSIBLE MISTRACKING OR DAMAGED EDGES OF THE BELT.



© Copyright 2013 Martin Engineering. All rights reserved. Covered by U.S. and foreign patents pending and issued. ® and TM indicate trademarks of Martin Engineering.

MARTIN ENGINEERING-USA
NEPONSET, IL USA

TITLE	MARTIN® STS XHD QC1™ ASM WITH AIR CYLINDER TENS	DRAWN MJB	DATE 01/06/16
NO.	REVISION	CHECKED	DATE 01/06/16
SALES DRAWING		APPROVED	DATE 01/06/16
PR13070		SCALE	1/4

NO.	DESCRIPTION	ECN	DATE	BY
A	CHGD DWG NUMBER FROM S50105-A TO S50105-XHDA	14436	01/06/16	MJB

AutoCAD REVISION SUPERSEDES DWG S50105-A DATED 09/29/15

