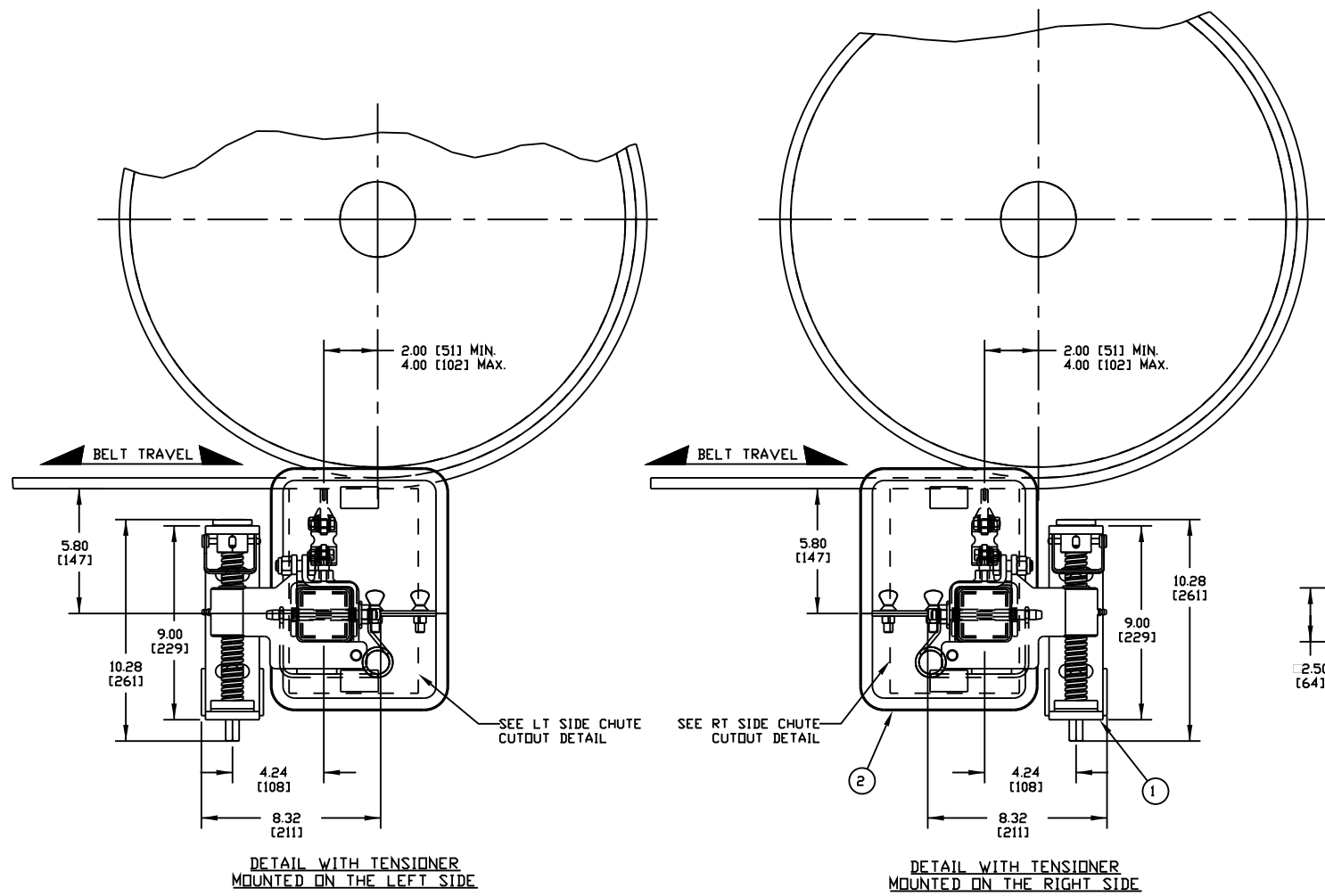
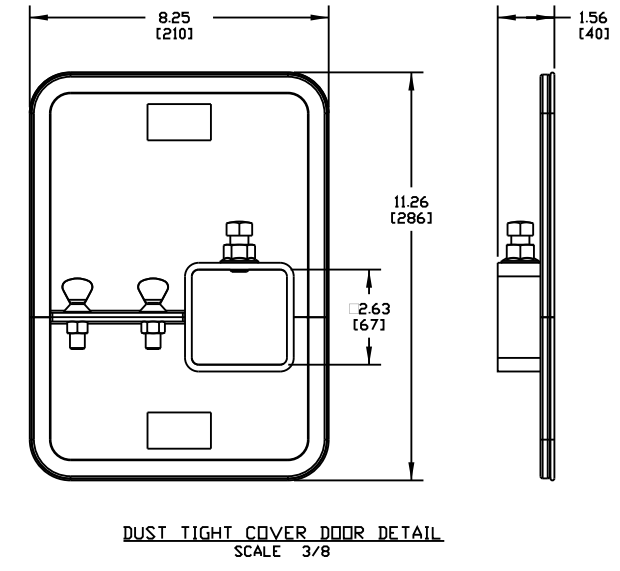
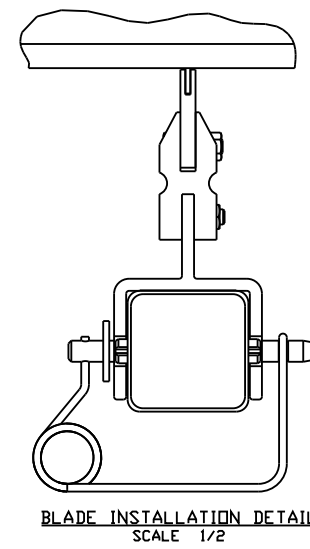
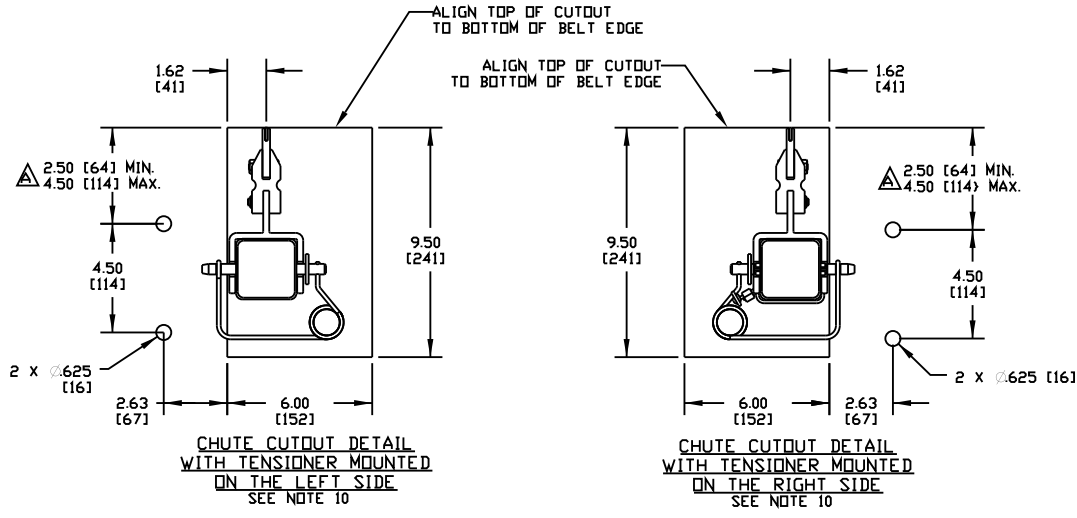


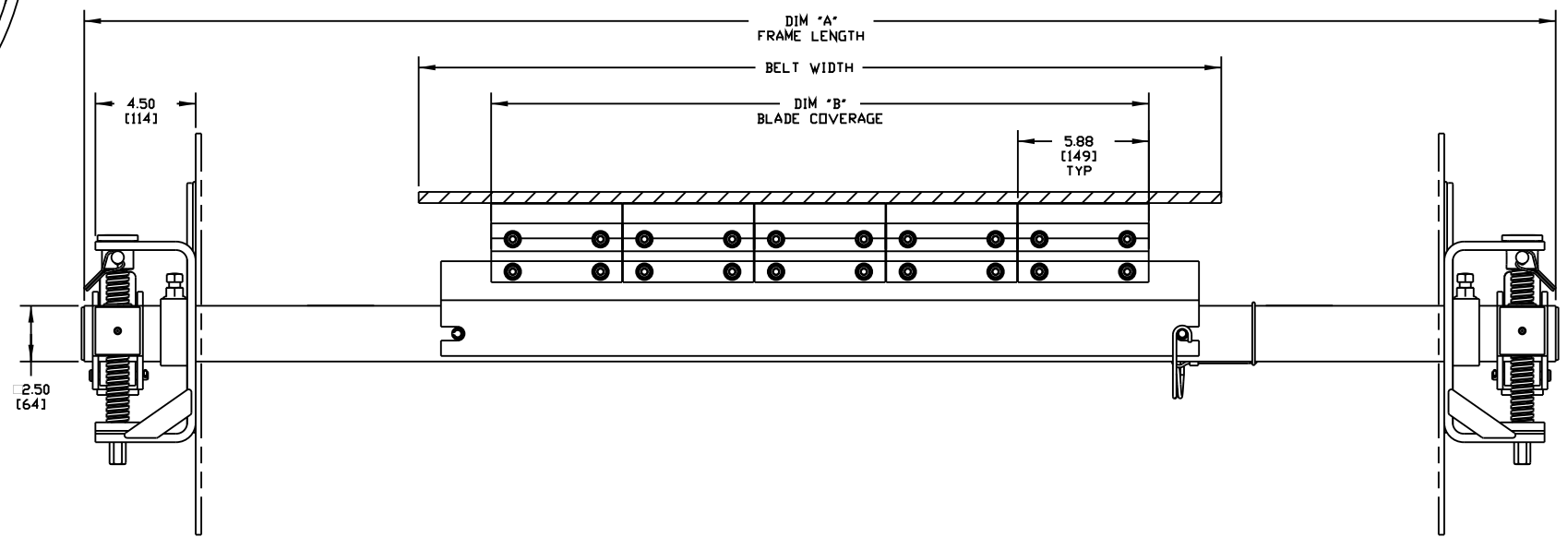
ITEM	QTY.	DESCRIPTION	PART NUMBER
1	1	MARTIN SQC2 MINI SQ MNFRM ASM	SEE CHART
2	1	DUST TIGHT COVER ASM F/SQ MNFRM	38014-SQCMS

PART NO.	BELT WIDTH	DIM "A" FRAME LENGTH	DIM "B" BLADE WIDTH
SQC2MS-18X12XXXX	18.00 [400-500]	48.00 [1219]	11.81 [300]
SQC2MS-18X18XXXX	18.00 [400-500]	48.00 [1219]	17.72 [450]
SQC2MS-24X18XXXX	24.00 [500-650]	54.00 [1372]	17.72 [450]
SQC2MS-24X24XXXX	24.00 [500-650]	54.00 [1372]	23.62 [600]
SQC2MS-30X24XXXX	30.00 [350-800]	60.00 [1524]	23.62 [600]
SQC2MS-30X30XXXX	30.00 [350-800]	60.00 [1524]	29.53 [750]
SQC2MS-36X30XXXX	36.00 [800-1000]	66.00 [1676]	29.53 [750]
SQC2MS-36X35XXXX	36.00 [800-1000]	66.00 [1676]	35.43 [900]
SQC2MS-42X35XXXX	42.00 [100-1200]	72.00 [1829]	35.43 [900]
SQC2MS-42X41XXXX	42.00 [100-1200]	72.00 [1829]	41.34 [1050]
SQC2MS-48X41XXXX	48.00 [1200-1400]	78.00 [1981]	41.34 [1050]
SQC2MS-48X47XXXX	48.00 [1200-1400]	78.00 [1981]	47.24 [1200]
SQC2MS-54X47XXXX	54.00 [1400-1600]	84.00 [2134]	47.24 [1200]
SQC2MS-54X53XXXX	54.00 [1400-1600]	84.00 [2134]	53.15 [1350]
SQC2MS-60X53XXXX	60.00 [1600-1800]	90.00 [2286]	53.15 [1350]
SQC2MS-60X59XXXX	60.00 [1600-1800]	90.00 [2286]	59.06 [1500]
SQC2MS-66X59XXXX	66.00 [1600-1800]	96.00 [2438]	59.06 [1500]
SQC2MS-66X65XXXX	66.00 [1600-1800]	96.00 [2438]	64.96 [1650]
SQC2MS-72X65XXXX	72.00 [1800-1900]	102.00 [2591]	64.96 [1650]
SQC2MS-72X71XXXX	72.00 [1800-1900]	102.00 [2591]	70.87 [1800]
SQC2MS-78X71XXXX	78.00 [1900-2000]	108.00 [2743]	70.87 [1800]
SQC2MS-78X77XXXX	78.00 [1900-2000]	108.00 [2743]	76.77 [1950]
SQC2MS-84X77XXXX	84.00 [2000-2100]	114.00 [2896]	76.77 [1950]
SQC2MS-84X83XXXX	84.00 [2000-2100]	114.00 [2896]	82.68 [2100]
SQC2MS-90X83XXXX	90.00 [2100-2200]	120.00 [3048]	82.68 [2100]
SQC2MS-90X89XXXX	90.00 [2100-2200]	120.00 [3048]	88.58 [2250]
SQC2MS-96X89XXXX	96.00 [2200-2400]	126.00 [3200]	88.58 [2250]



- NOTES:
- 1) ALL DIMENSIONS ARE GIVEN IN INCHES (MM).
 - 2) ALL DIMENSIONS ARE FOR REFERENCE ONLY.
 - 3) FOR EASE OF ACCESSIBILITY AND MAINTENANCE MARTIN ENGINEERING RECOMMENDS BOLTING CLEANER TO EXISTING STRUCTURE WHEN APPLICABLE.
 - 4) DUE TO STRUCTURAL TOLERANCES IN THE FIELD, DIMENSIONS AND LOCATIONS MAY VARY.
 - 5) WHERE EXTREME AND UNUSUAL CONDITIONS EXIST, OR SPECIAL MAINFRAME LENGTHS ARE REQUIRED, CONTACT MARTIN ENGINEERING.
 - 6) CUSTOMER MAY HAVE TO MODIFY STRUCTURE TO PROPERLY INSTALL CLEANER.
 - 7) REFER TO OPERATOR'S MANUAL (M3820) FOR ADDITIONAL AND OPTIONAL INSTALLATION INSTRUCTIONS.
 - 8) MARTIN ENGINEERING RECOMMENDS POSITIONING OF AN IDLER FOR PROPER BACKING SUPPORT OF THE SCORPID BLADE IF NOT LOCATED ON THE HEAD PULLEY.

- NOTES:
- 9) MAINFRAME IS SUPPLIED LONGER THAN REQUIRED, FIELD CUT TO DESIRED LENGTH.
 - 10) LOCATE AND DRILL HOLES FOR TENSIONER BEFORE LOCATING ACCESS WINDOW. NOTE TENSIONER LT/RT MOUNTING DIRECTION.
 - 11) IN THE CLEANER PART NUMBER THE SQC2MS INDICATES A MARTIN SQC2 MINI QUICK-CHANGE SECONDARY CLEANER, THE NEXT TWO DIGITS INDICATE THE BELT WIDTH, THE NEXT DIGIT INDICATES THE BLADE TYPE, THE NEXT TWO DIGITS INDICATE THE BLADE CLEANING WIDTH, THE NEXT TWO DIGITS INDICATE THE BLADE BUFFER TYPE, THE NEXT DIGIT INDICATES THE MAINFRAME OPTIONS (P FOR STD PAINTED, S FOR STAINLESS STEEL), THE NEXT DIGIT INDICATES IF A TENSIONER IS INCLUDED (T IS WITH TENSIONER, 0 IS WITHOUT), THE LAST DIGIT IS FOR ADDITIONAL OPTIONS (D = DUST TIGHT STEEL COVER DOOR).



Copyright 2015 Martin Engineering. All rights reserved. Covered by US and foreign patents pending and issued. ® and ™ indicate trademarks of Martin Engineering.

MARTIN ENGINEERING-USA
NEPONSET, IL USA

TITLE: MARTIN SQC2 MINI SECONDARY BELT CLEANER DUST TIGHT COVER DOOR

NO. A CHGD DIM 4.00 MIN-4.50 MAX TO 2.50 MIN-4.50 MAX

NO. DESCRIPTION

REVISION

14131 01/16/15 JAH

ECN DATE BY

SALES DRAWING

PR11778

DATE 10/07/10
CHECKED
ENG. JAP
DATE 10/08/10
APPROVED DM
DATE 10/12/10
SCALE 1/4

S-SQC2MS-S35799

