

Martin® MB36-3000 Concrete Form Vibrator



The [Martin® MB36-3000 Concrete Form Vibrator](#) solves problems common in the precast industry. This heavy-duty electric vibrator will improve productivity and increase material strength and compaction.

FEATURES

- Interchanges with BRECON 18-120
- 3000 Force lb – 3450 RPM
- 230 volt/ 460 volt – 3 Phase 60Hz
- Ductile Iron Bearing Housings
- Roller Bearings Designed for Vibration
- High Temperature Class H Windings
- Adjustable Force Output

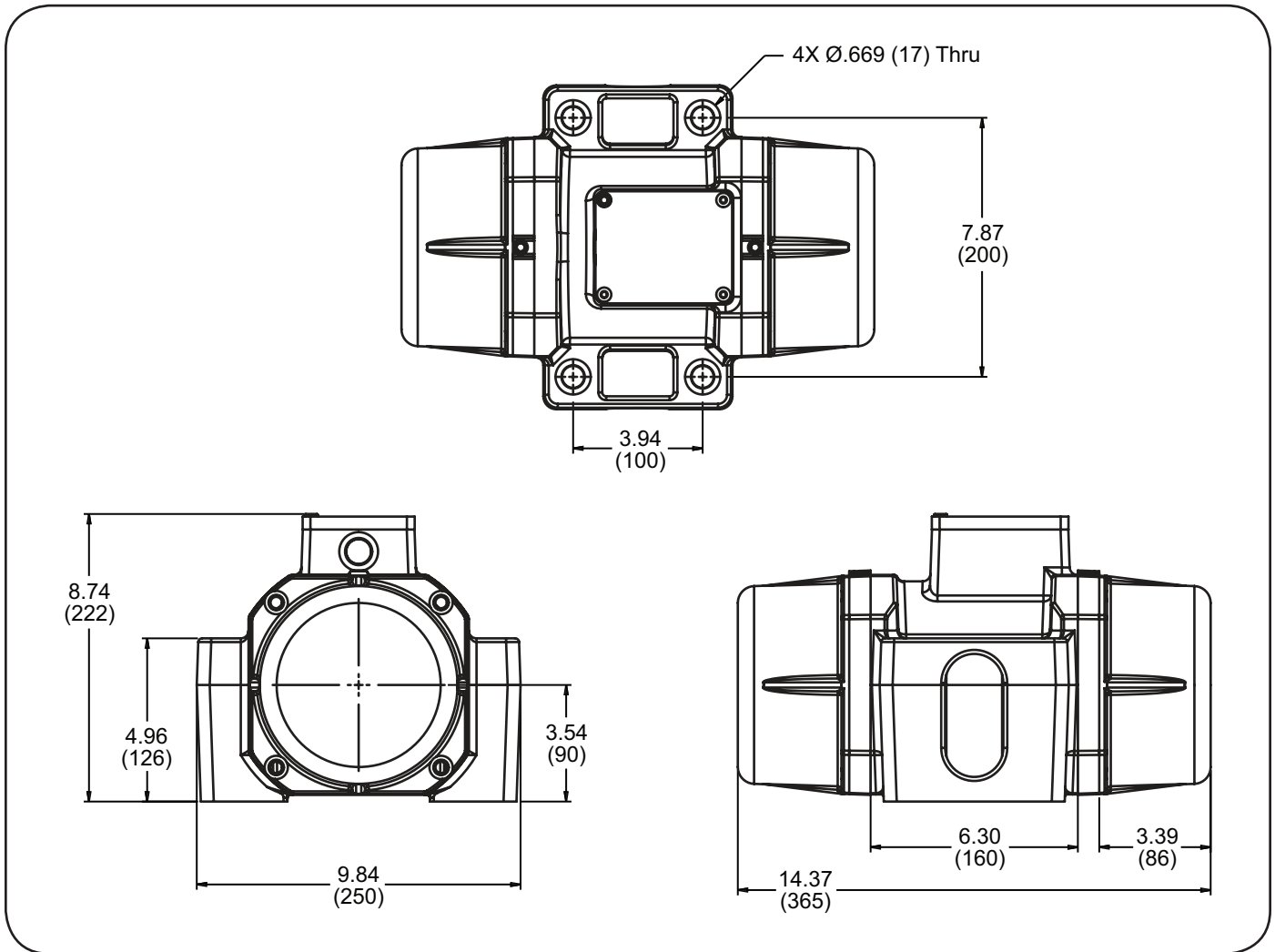
BENEFITS

- Optimally sized to fit in smaller diameter concrete pipe form cores.
- Modern design allows for easier installation in tight spaces.
- Adjustable eccentric weights enable you to customize force, save energy, and increase the life of the vibrator.
- Dependable performance covered by Martin Engineering's 3-year warranty.

Specify Martin for:

- Cost effective solutions
- Expert technical assistance
- Complete service and support

TECHNICAL DATA SHEET



PERFORMANCE DATA

Model	In. Lbs.	RPM	Force Lbs.	Amps		HP
				230 Volt	460 Volt	
MB36-3000	8.94	3450	3000	3.80	1.90	1.3



Martin Engineering USA
 One Martin Place
 Neponset, IL 61345-9766 USA
 800 544 2947 or 309 852 2384
 Fax 800 814 1553
www.martin-eng.com

COMPANY WITH
 QUALITY SYSTEM
 CERTIFIED BY DNV
 = ISO 9001:2008 =