

S50110-L		
(PART NUMBER 1ST X) CHAIN SIZE / CHAIN LINK SIZE (SEE TENSIONER REQUIREMENTS)		
PART NUMBER	CHAIN SIZE	CONNECTOR LINK SIZE
CSP-L6-XXXXXX-XXXX	6 MM	8 MM
CSP-L8-XXXXXX-XXXX	8 MM	10 MM

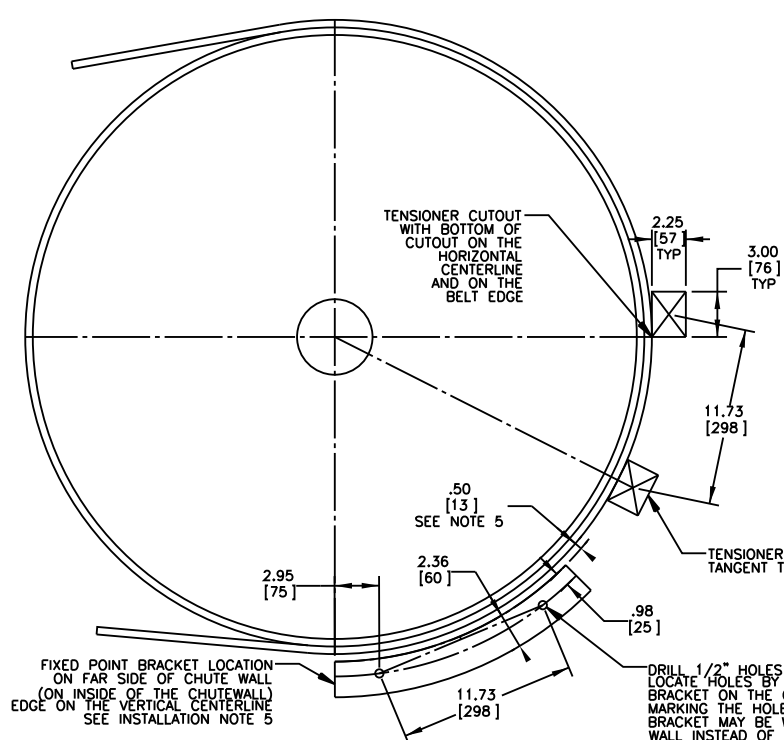
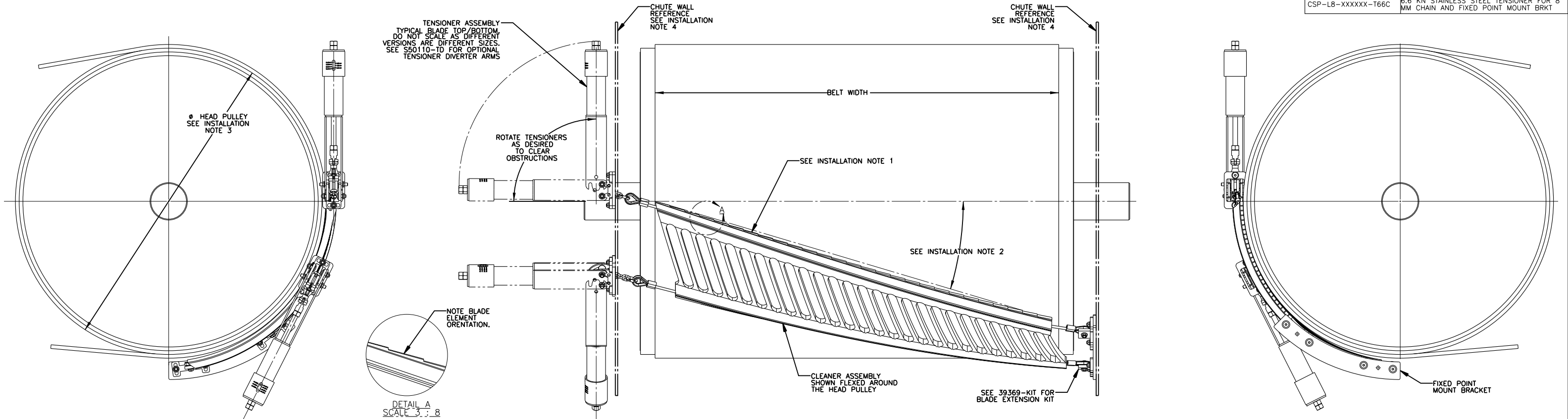
(PART NUMBER 2ND THRU 5TH XXXX'S) BELT WIDTH / NUMBER OF ELEMENTS		
PART NO.	DIM "A"	# ELEMENTS
CSP-LX-3015XX-XXXX	29.48	15
CSP-LX-3618XX-XXXX	35.39	18
CSP-LX-4221XX-XXXX	41.29	21
CSP-LX-4824XX-XXXX	47.20	24
CSP-LX-5427XX-XXXX	53.10	27
CSP-LX-6030XX-XXXX	59.01	30
CSP-LX-6633XX-XXXX	64.91	33
CSP-LX-7236XX-XXXX	70.82	36
CSP-LX-8442XX-XXXX	82.63	42
CSP-LX-9648XX-XXXX	94.44	48

(PART NUMBER 6TH X) BLADE TYPE	
PART NO.	APPLICATION
CSP-LX-XXXX1X-XXXX	STANDARD VERSION, SUITABLE FOR LESS ABRASIVE MATERIALS AND LOW BELT SPEEDS, ALLOWED FOR MECHANICAL SPLICES
CSP-LX-XXXX2X-XXXX	MODERATE VERSION, SUITABLE FOR ABRASIVE MATERIALS AND MEDIUM BELT SPEEDS, ALLOWED FOR MECHANICAL SPLICES
CSP-LX-XXXX3X-XXXX	SEVERE VERSION, SUITABLE FOR HIGHLY ABRASIVE MATERIALS AND HIGH BELT SPEEDS, NOT ALLOWED FOR MECHANICAL SPLICES
CSP-LX-XXXX4X-XXXX	EXTREME VERSION, SUITABLE FOR EXTREMELY ABRASIVE MATERIALS AND HIGHEST BELT SPEEDS, NOT ALLOWED FOR MECHANICAL SPLICES
CSP-LX-XXXX5X-XXXX	STANDARD/MODERATE VERSION, SUITABLE FOR ABRASIVE MATERIALS AND LOW/MEDIUM BELT SPEEDS, ALLOWED FOR MECHANICAL SPLICES, HAS CHEMICAL RESISTANCE

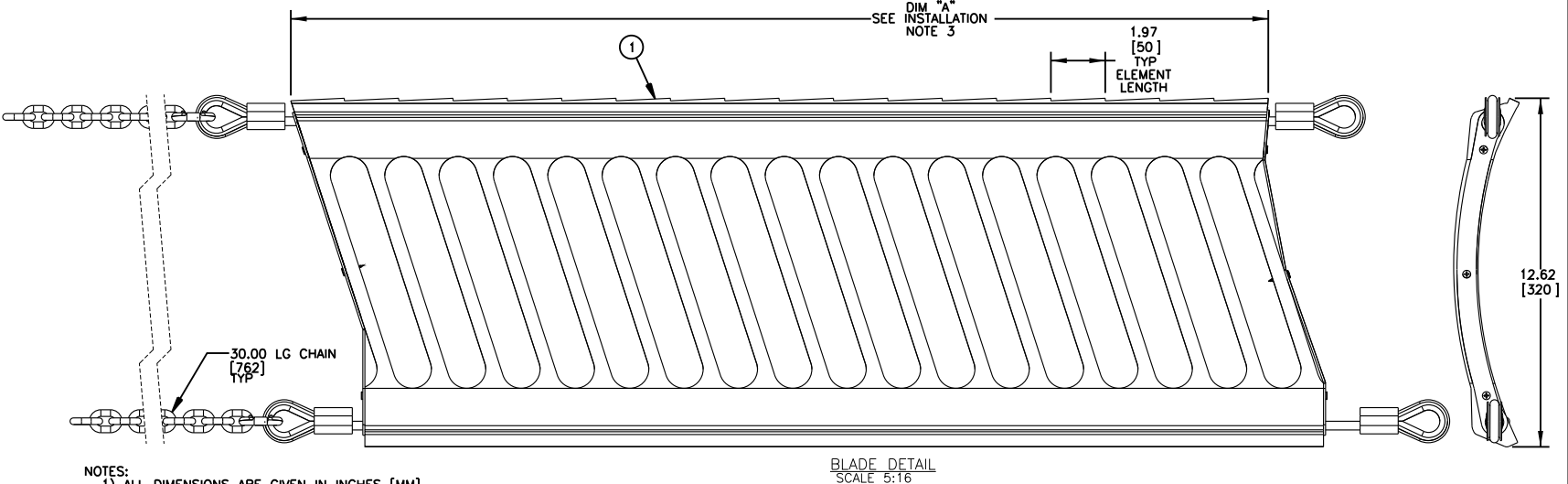
(PART NUMBER 7TH X) TYPE OF SWAGE SLEEVES	
PART NO.	TYPE OF SWAGE SLEEVES
CSP-LX-XXXXXX-XXXX	ALUMINUM SWAGE SLEEVES
CSP-LX-XXXXXC-XXXX	COPPER SWAGE SLEEVES

ITEM	QTY.	DESCRIPTION	PART NUMBER
1	1	MARTIN CLEANSRAPE CLEANER ASSEMBLY	SEE CHARTS

(PART NUMBER LAST FOUR XXXX'S) TENSIONER / INSTALLATION KIT	
PART NO.	TENSIONER SIZE / MOUNT BRACKET
CSP-L6-XXXXXX-T28	2.8 KN STEEL TENSIONER FOR 6 MM CHAIN AND FIXED POINT MOUNT BRACKET
CSP-L6-XXXXXX-T28C	2.8 KN STAINLESS STEEL TENSIONER FOR 6 MM CHAIN AND FIXED POINT MOUNT BRKT
CSP-L6-XXXXXX-T42	4.2 KN STEEL TENSIONER FOR 6 MM CHAIN AND FIXED POINT MOUNT BRACKET
CSP-L6-XXXXXX-T42C	4.2 KN STAINLESS STEEL TENSIONER FOR 6 MM CHAIN AND FIXED POINT MOUNT BRKT
CSP-L8-XXXXXX-T66	6.6 KN STEEL TENSIONER FOR 8 MM CHAIN AND FIXED POINT MOUNT BRACKET
CSP-L8-XXXXXX-T66C	6.6 KN STAINLESS STEEL TENSIONER FOR 8 MM CHAIN AND FIXED POINT MOUNT BRKT



- INSTALLATION NOTES:
- 1) BLADE CARBIDE SCRAPPERS ARE MOLDED INTO THE RUBBER BODY AT AN ANGLE CREATING A SERRATED CLEANING EDGE. CLEANER MUST BE MOUNTED AT AN ANGLE AS SHOWN. CLEANER MUST NOT LIE IN THE MATERIAL PATH.
 - 2) THE IDEAL INSTALLATION ANGLE IS BETWEEN 14° AND 17°. ANGLES FROM 10° TO 22° ARE ACCEPTABLE.
 - 3) BELT WIDTH MUST NOT EXCEED A RATIO OF 3:1 TO THE HEAD PULLEY DIAMETER. HEAD PULLEY RANGE IS 36" MIN. TO 50" MAX.
 - 4) CHUTE WALLS MUST BE STRONG ENOUGH TO NOT FLEX WHEN THE CLEANER IS TENSIONED. ADDITIONAL CHUTE WALL STRUCTURE MAY BE REQUIRED TO PREVENT CHUTE WALL FROM FLEXING.
 - 5) LOCATE AND INSTALL THE FIXED POINT MOUNT BRACKET ON THE INSIDE OF THE FAR SIDE CHUTE WALL. MEASURE THE HEAD PULLEY RADIUS PLUS THE LAGGING BELT THICKNESS, AND ADD THE 50". THIS IS THE RADIUS ARC THAT THE FIXED POINT BRACKET WILL BE LOCATED ON. ALSO LOCATE THE FIXED POINT BRACKET EDGE ON THE VERTICAL CENTERLINE (AT 6:00 O'CLOCK POSITION). MARK THE HOLE LOCATIONS FROM THE FIXED POINT BRACKET AND DRILL THE MOUNTING HOLES (IF NOT WELDING IN PLACE). BOLT THE FIXED POINT BRACKET TO THE INSIDE OF THE CHUTE WALL.
 - 6) ON THE OPERATORS SIDE OF THE CHUTE WALL MARK THE LOCATION OF THE TENSIONER CUTOUTS. SEE THE CUTOUT DETAIL. WELD THE TENSIONER MOUNT BRACKETS TO THE CHUTE WALL POSITIONED OVER THE CUTOUTS. BOLT THE TENSIONERS TO THE TENSIONER MOUNT BRACKETS. LEAVE THE ADJUSTMENT BOLTS LOOSE AT THIS TIME.
 - 7) ASSEMBLE THE CHAIN AND THE CHAIN LINKS TO THE TENSIONER END OF THE BLADE. INSTALL THE CLEANER TO THE FIXED POINT BRACKET. LEAVE THE ADJUSTMENT BOLTS LOOSE AT THIS TIME. HOLD THE CLEANER TO THE HEAD PULLEY AND ROUTE THE CHAINS THROUGH THE CHUTE WALL AND HOOK ONTO THE TENSIONERS. MAKE SURE THE TENSIONER ADJUSTMENT NUTS ARE AT THE END OF THE TENSIONER THREADED ROD. TIGHTEN THE TENSIONER ADJUSTMENT NUT UNTIL THE CLEANER IS HELD FIRMLY AGAINST THE HEAD PULLEY. ADJUST THE FIXED POINT BRACKET AND TENSIONER BRACKETS SO THE OUTER TWO ELEMENTS ON EACH SIDE OF THE CLEANER ARE APPROXIMATELY 1/8" AWAY FROM THE BELT. TIGHTEN ALL BOLTS.
 - 8) TENSION THE CLEANER PER THE RECOMMENDED TENSION IN THE MANUAL.



- NOTES:
- 1) ALL DIMENSIONS ARE GIVEN IN INCHES [MM].
 - 2) ALL DIMENSIONS ARE FOR REFERENCE ONLY.
 - 3) IN THE BLADE ASSEMBLY PART NUMBER:
THE FIRST X INDICATES CHAIN SIZE.
2.8KN AND 4.2KN TENSIONERS REQUIRE 6MM CHAIN.
6.6KN TENSIONERS REQUIRE 8MM CHAIN.
THE NEXT XX INDICATES BLADE WIDTH
THE NEXT XX INDICATES NUMBER OF ELEMENTS IN BLADE
THE NEXT X INDICATES BLADE CARBIDE TYPE.
THE NEXT X INDICATES IF COPPER SWAGE SLEEVES ARE REQUIRED.
BLANK = ALUMINUM SWAGE SLEEVES
C = COPPER SWAGE SLEEVES
THE NEXT XXX INDICATES IF INSTALLATION KIT IS INCLUDED.
T28 = 2.8 KN STEEL SPRING TENSIONER
T28C = STAINLESS STEEL 2.8 KN SPRING TENSIONER
T42 = 4.2 KN STEEL SPRING TENSIONER
T42C = STAINLESS STEEL 4.2 KN SPRING TENSIONER
T66 = 6.6 KN STEEL SPRING TENSIONER
T66C = STAINLESS STEEL 6.6 KN SPRING TENSIONER

TENSIONER CHUTE CUTOUTS AND FIXED POINT BRACKET LOCATION
SCALE 5:32

A		ADDED P/N CSP-LX-3015XX-XXXX TO CHART (PR13196)	----	04/07/16	JAH
NO.	DESCRIPTION	ECN	DATE	BY	
SALES DRAWING		REVISION			
MD0873	S50110-L			SCALE 5:32	

Copyright 2015 Martin Engineering. All rights reserved. Covered by U.S. and foreign patents pending and issued. ® and ™ indicate trademarks of Martin Engineering.

MARTIN ENGINEERING-USA
NEPNSSET, IL USA

TITLE: CLEANSRAPE LARGE CLEANER ASSEMBLY

DRAWN RND: DATE 06/22/15 CHECKED: ENG. RJP DATE 07/24/15 APPROVED JAH DATE 07/24/15

SCALE 5:32

