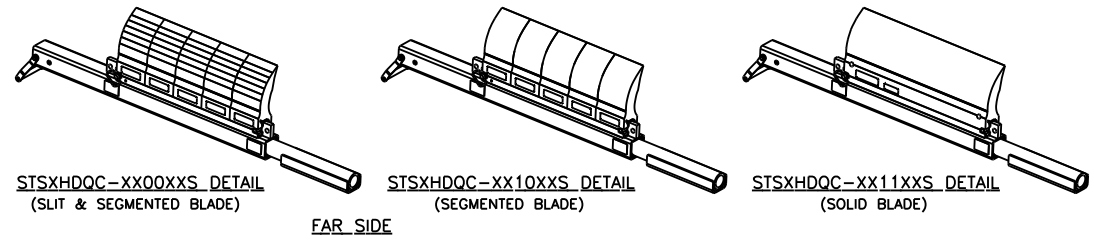
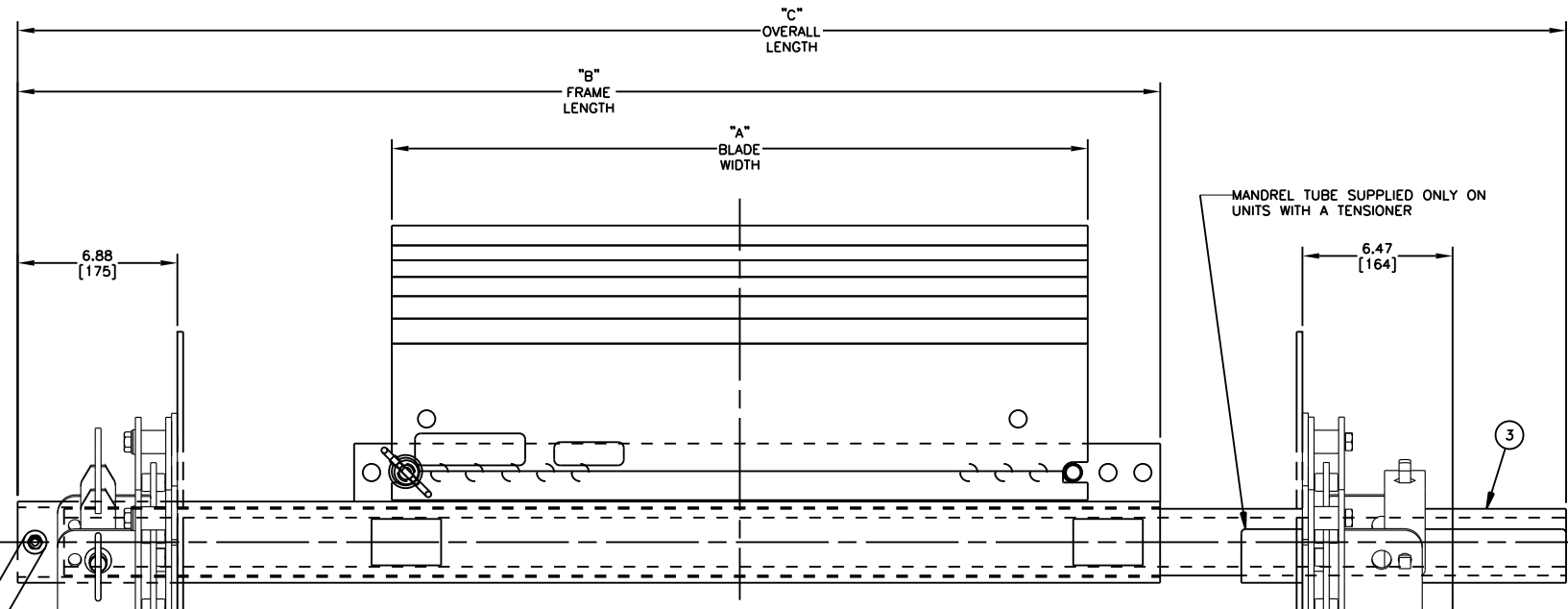
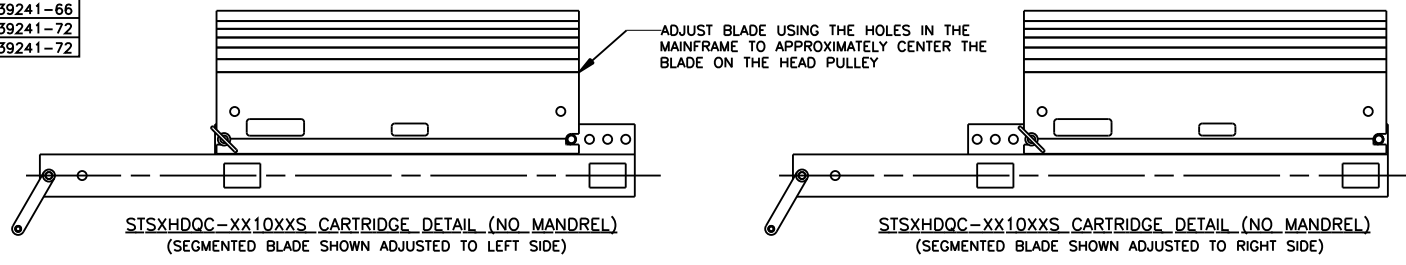
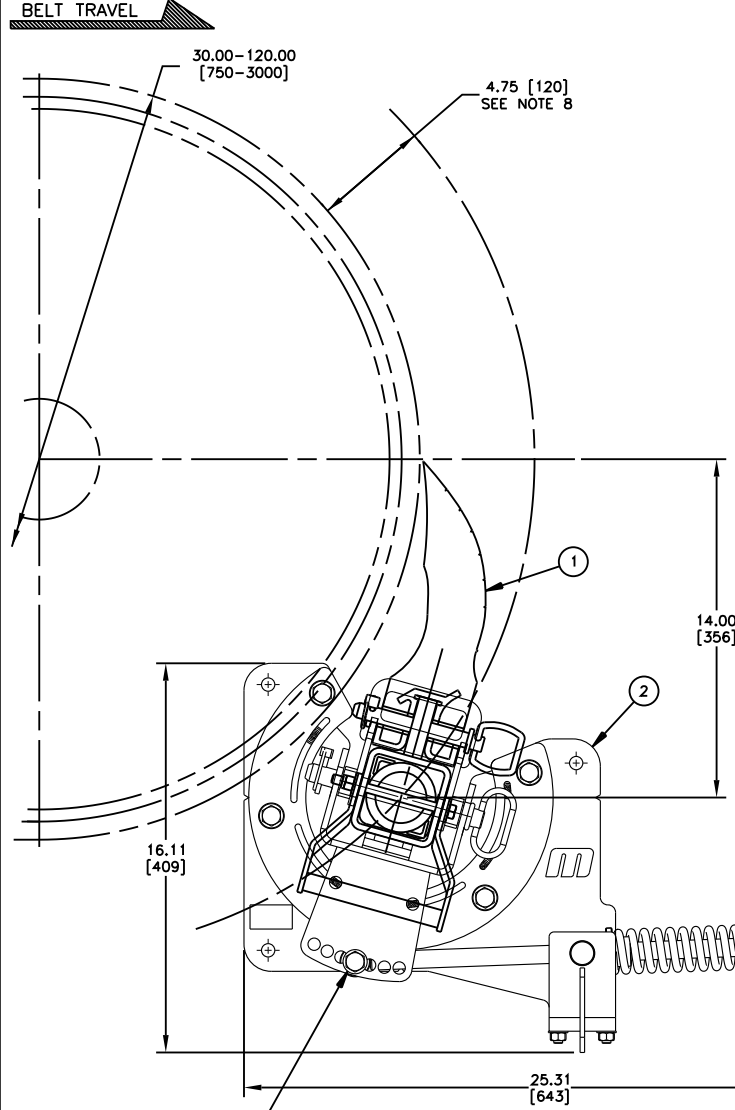


PART NUMBER	BELT WIDTH	DIMENSION "A" BLADE WIDTH	DIMENSION "B" FRAME LENGTH	DIMENSION "C" OVERALL LENGTH	PART NO. ITEM 2	PART NO. ITEM 3
STXHDQC-24X12XXS	24.00 [500-650]	12.00 [305]	37.25 [946]	54.75 [1391]	39100-XHDS1	39241-24
STXHDQC-24X18XXS	24.00 [500-650]	18.00 [457]	37.25 [946]	54.75 [1391]	39100-XHDS1	39241-24
STXHDQC-30X18XXS	30.00 [650-800]	18.00 [457]	43.25 [1099]	60.75 [1543]	39100-XHDS1	39241-30
STXHDQC-30X24XXS	30.00 [650-800]	24.00 [610]	43.25 [1099]	60.75 [1543]	39100-XHDS1	39241-30
STXHDQC-36X24XXS	36.00 [800-1000]	24.00 [610]	49.25 [1251]	66.75 [1695]	39100-XHDS1	39241-36
STXHDQC-36X30XXS	36.00 [800-1000]	30.00 [762]	49.25 [1251]	66.75 [1695]	39100-XHDS1	39241-36
STXHDQC-42X30XXS	42.00 [1000-1200]	30.00 [762]	55.25 [1403]	72.75 [1848]	39100-XHDS1	39241-42
STXHDQC-42X36XXS	42.00 [1000-1200]	36.00 [914]	55.25 [1403]	72.75 [1848]	39100-XHDS1	39241-42
STXHDQC-48X36XXS	48.00 [1200-1400]	36.00 [914]	61.25 [1556]	78.75 [2000]	39100-XHDS2	39241-48
STXHDQC-48X42XXS	48.00 [1200-1400]	42.00 [1067]	61.25 [1556]	78.75 [2000]	39100-XHDS2	39241-48
STXHDQC-54X42XXS	54.00 [1400-1600]	42.00 [1067]	67.25 [1708]	84.75 [2153]	39100-XHDS2	39241-54
STXHDQC-54X48XXS	54.00 [1400-1600]	48.00 [1219]	67.25 [1708]	84.75 [2153]	39100-XHDS2	39241-54
STXHDQC-60X48XXS	60.00 [1600-1800]	48.00 [1219]	73.25 [1861]	90.75 [2305]	39100-XHDS2	39241-60
STXHDQC-60X54XXS	60.00 [1600-1800]	54.00 [1372]	73.25 [1861]	90.75 [2305]	39100-XHDS2	39241-60
STXHDQC-66X54XXS	66.00 [1600-1800]	54.00 [1372]	79.25 [2013]	96.75 [2457]	39100-XHDS2	39241-66
STXHDQC-66X60XXS	66.00 [1600-1800]	60.00 [1524]	79.25 [2013]	96.75 [2457]	39100-XHDS2	39241-66
STXHDQC-72X60XXS	72.00 [1800-2000]	60.00 [1524]	85.25 [2165]	102.75 [2610]	39100-XHDS2	39241-72
STXHDQC-72X66XXS	72.00 [1800-2000]	66.00 [1676]	85.25 [2165]	102.75 [2610]	39100-XHDS2	39241-72

OPERATORS SIDE

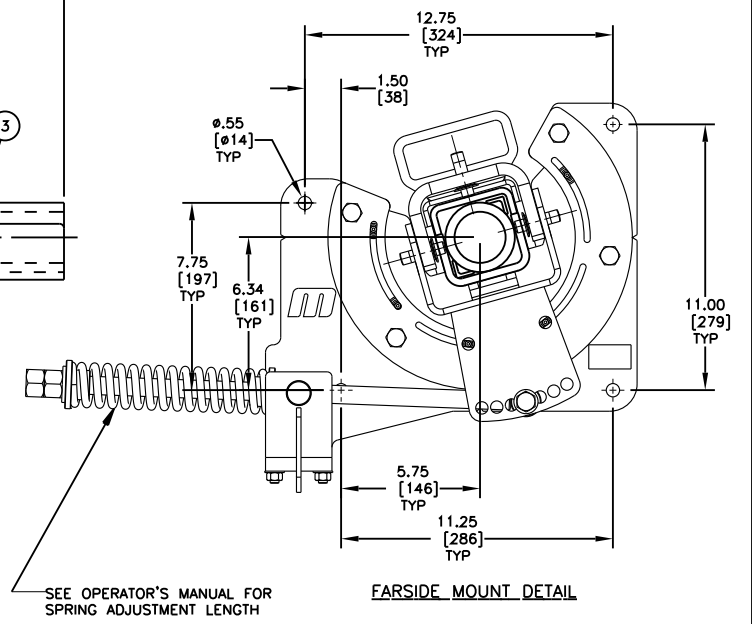
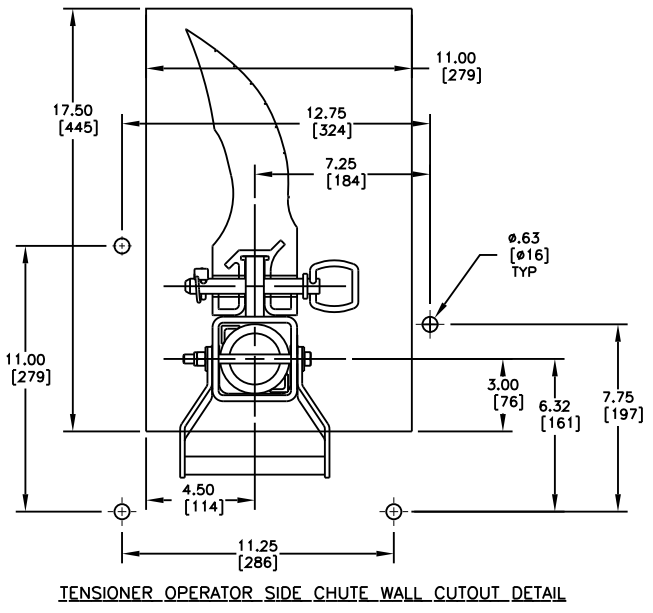
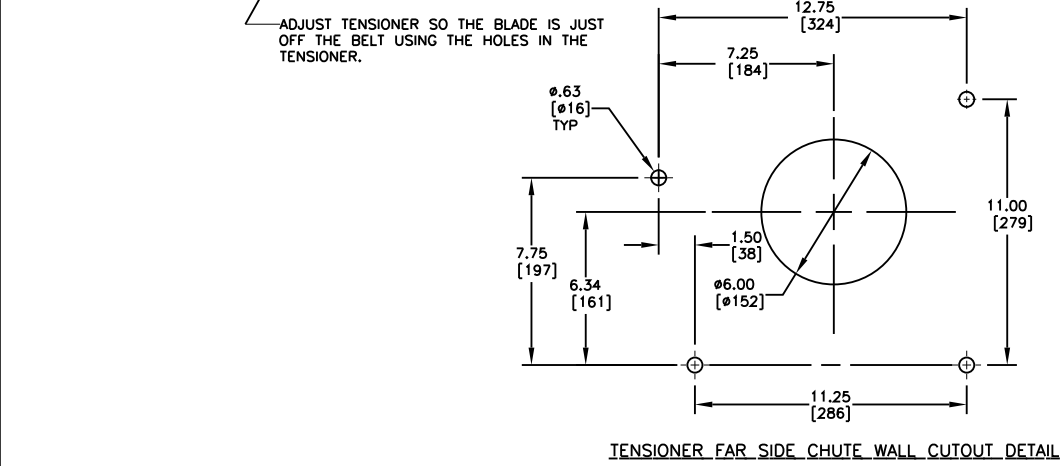


- NOTES:
- ALL DIMENSIONS ARE GIVEN IN INCHES [MM] AND ARE FOR REFERENCE ONLY.
  - IN THE STXHDQC-XXXXXX PART NUMBER THE FIRST TWO XX'S INDICATE THE BELT WIDTH. THE THIRD X INDICATES A SOLID (1) OR SLIT (0) BLADE, THE FOURTH X INDICATES A SOLID (1) OR SEGMENTED (0) BLADE. THE NEXT TWO XX'S INDICATE BLADE WIDTH. THE NEXT TWO XX'S INDICATE THE BLADE COLOR/MATERIAL (SEE BLADE COLOR CHART), THE LAST X INDICATES IF A TENSIONER/MANDREL IS INCLUDED.
  - EXAMPLES:  
STXHDQC-361130S = 36" BELT WIDTH, 30" BLADE W/O SILTS AND SEGMENTS, WITH A SPRING TENSIONER/MANDREL.  
STXHDQC-361124 = 36" BELT WIDTH, 24" BLADE W/O SLITS AND SEGMENTS, WITHOUT A SPRING TENSIONER/MANDREL.
  - THE PRE-CLEANER BLADE IS DESIGNED FOR HEAD PULLEY'S WITH A MINIMUM EFFECTIVE DIAMETER OF 16.00 [400]. SEE MOUNTING LOCATION CHART.
  - CLEANER IS SHOWN IN RECOMMENDED WORKING POSITION.
  - WHERE EXTREME OR UNUSUAL CONDITIONS EXIST, OR SPECIAL MAINFRAME LENGTHS ARE REQUIRED CONTACT MARTIN ENGINEERING.
  - SPRING TENSIONER MAY BE BOLTED OR WELDED IN PLACE. MARTIN ENGINEERING RECOMMENDS BOLTING WHEN APPLICABLE FOR EASIER MAINTENANCE AND ACCESSIBILITY.
  - REFER TO OPERATOR'S MANUAL M3987 FOR COMPLETE INSTALLATION INSTRUCTIONS.
  - CLEANER CAN BE LOCATED ANYWHERE ALONG THE ARC, AS LONG AS THE MAINFRAME IS OUT OF MATERIAL TRAJECTORY AND THE BLADE TIPS ARE BELOW THE HORIZONTAL CENTERLINE OF THE HEAD PULLEY.
  - THE XHD QC1 PRE-CLEANER BLADES ARE DESIGNED TO REMOVE HEAVY CARRYBACK ONLY. DO NOT OVERTENSION.
  - BLADE COVERAGE IS LESS THAN BELT WIDTH, DUE TO POSSIBLE MISTRACKING OR DAMAGED EDGES OF THE BELT.



ASSEMBLY PART NO.	COLOR
STXHDQC-XXXXXXS	ORANGE
STXHDQC-XXXXXB1S *	BLACK
STXHDQC-XXXXXBRS	BROWN
STXHDQC-XXXXXC1S	TAN
STXHDQC-XXXXXGRS	GREEN
STXHDQC-XXXXXNBS	NAVY BLUE
STXHDQC-XXXXXCYS *	YELLOW W/BEADS
STXHDQC-XXXXXYLS	YELLOW

\* ONLY OFFERED IN SEGMENTED (10)



Copyright 2013 Martin Engineering. All rights reserved. Covered by U.S. and foreign patents pending and issued. ® and TM indicate trademarks of Martin Engineering.

MARTIN ENGINEERING-USA  
NEPONSET, IL USA

TITLE: MARTIN® STS XHD QC1™ ASM WITH SPRING TENS

NO. DESCRIPTION ECN DATE BY SALES DRAWING

AutoCAD REVISION

PR13111 S50105-XHDS

DRAWN RND DATE 12/14/15  
CHECKED  
ENG. DATE 12/14/15  
APPROVED DATE 12/15/15  
SCALE 1/4=1

