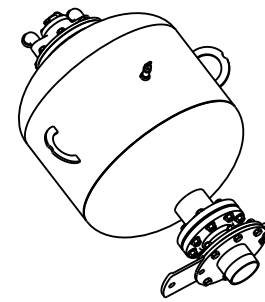
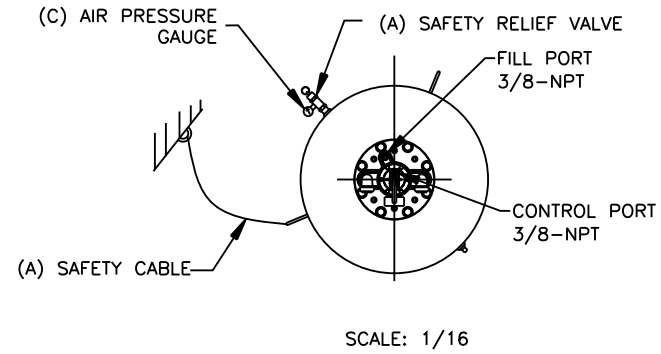
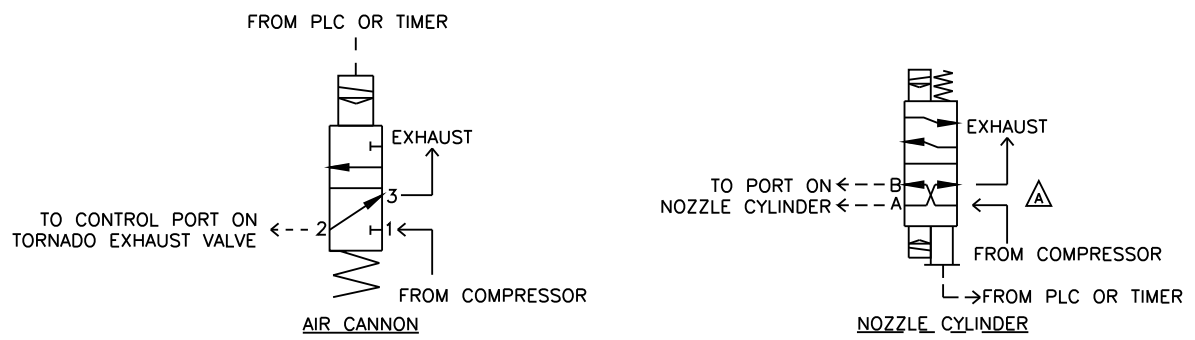
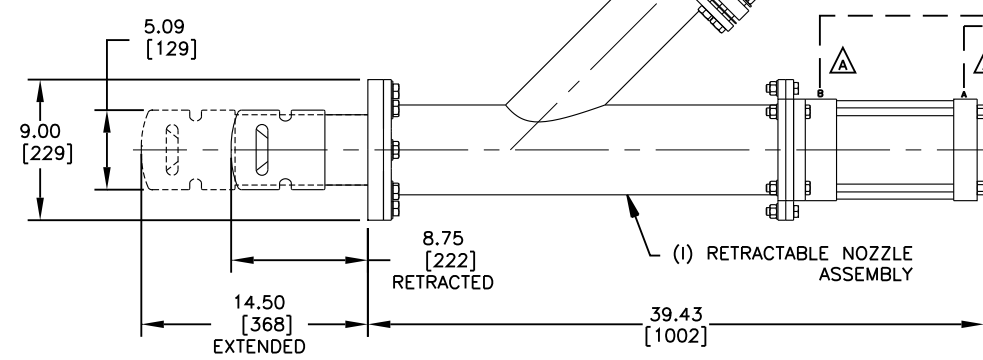
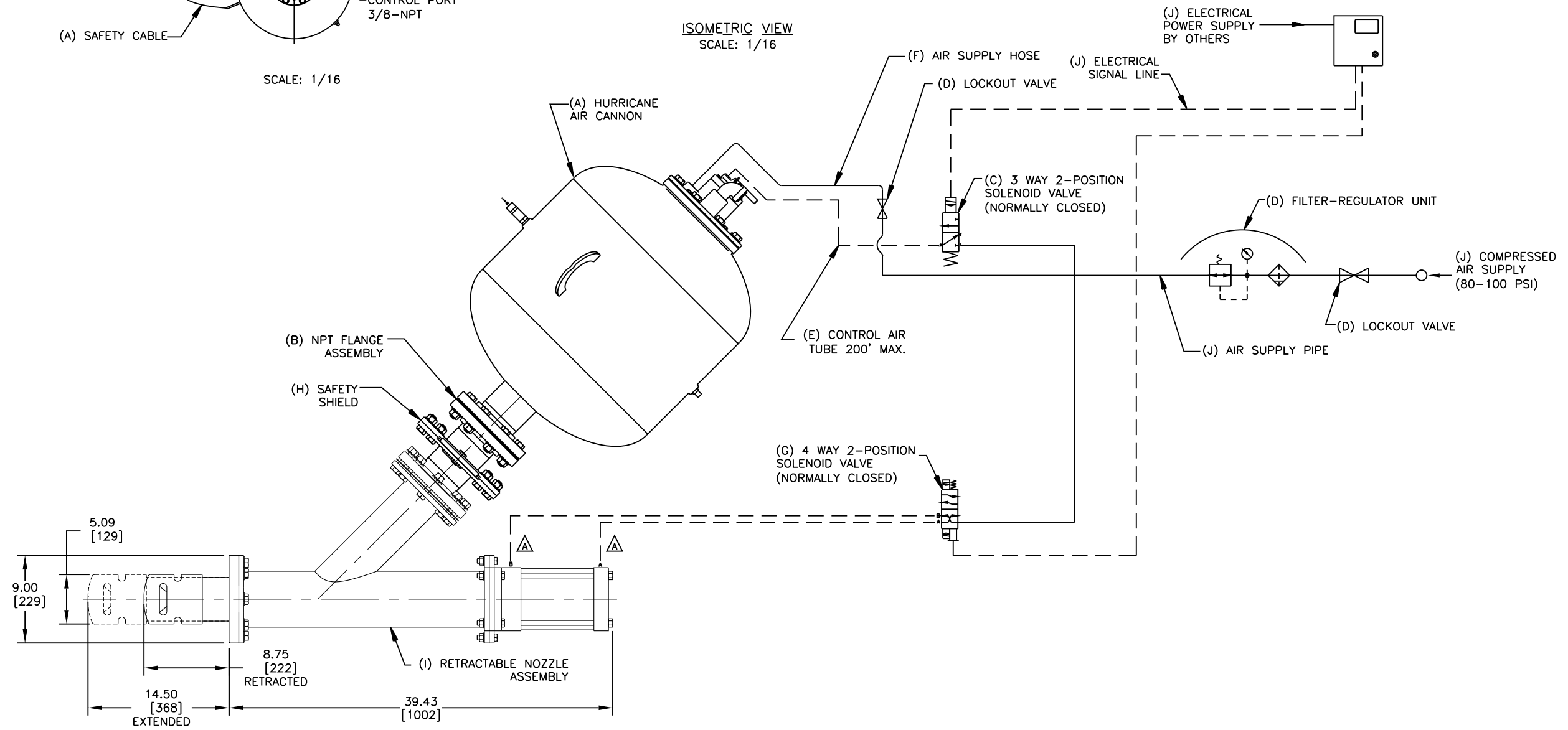


ITEM	DESCRIPTION	PART NUMBER
A	HURRICANE AIR CANNON ASM 150 LITER	38005-150
B	BBAC SCREWED FLANGE ASM 4-NPT	25698
C	BBAC PLUMBING KIT 110V	37886-110
D	BBAC AIR FILL KIT 1/2-NPT	37890-XX
E	FILL CONTROL LINE KIT	33739
F	HOSE KIT WITH NIPPLE & RED BUSHING	37452
G	SOLENOID VALVE 4 WAY	39037
H	BB4 THERMO SAFETY SHIELD NPT END	38189-4
I	NOZZLE RETRACTABLE	38984
J	EQUIPMENT BY OTHERS	BY OTHERS



ISOMETRIC VIEW
SCALE: 1/16



SOLENOID PLUMBING DETAIL

NOTES:
1) ALL DIMENSIONS ARE GIVEN IN INCHES [MM].
2) ALL DIMENSIONS ARE FOR REFERENCE ONLY.

© Copyright 2012 Martin Engineering. All rights reserved. Covered by U.S. and foreign patents pending and issued. ® and TM indicate trademarks of Martin Engineering.

MARTIN ENGINEERING-USA
NEPONSET, IL USA

TITLE	HURRICANE AIR CANNON W/THERMO SAFETY SHIELD & RETRACTABLE NOZZLE PLUMBING ARRANGEMENT	DRAWN MJB DATE 07/10/12
NO.	SALES DRAWING	CHECKED ENG. JAD DATE 07/09/12
AutoCAD	REVISION	APPROVED JAH DATE 07/10/12

MD843 S50098 SCALE 1 = 1

NO.	DESCRIPTION	ECN	DATE	BY
A	UPDATED SOLENOID LAYOUT / UPDATED NOZZLE CYLINDER DETAIL PICTORIALY IN SOLENOID PLUMBING DETAIL	13859	02/24/14	JAH

