

BELT WIDTH	TROUGH ANGLE	SKIRTBOARD INSIDE WIDTH	OUTER SKIRTBOARD SUPPORT MOUNTING BRACKET
24	20	10.95	UC-003067-01
24	35	10.38	UC-003067-01
24	45	9.85	UC-003067-01
30	20	16.71	UC-003067-01
30	35	15.66	UC-003067-02
30	45	14.68	UC-003067-02
36	20	22.50	UC-003067-02
36	35	21.00	UC-003067-02
36	45	19.50	UC-003067-02
42	20	28.25	UC-003067-02
42	35	26.25	UC-003067-02
42	45	24.38	UC-003067-02
48	20	34.00	UC-003067-02
48	35	31.50	UC-003067-02
48	45	29.13	UC-003067-02
54	20	39.75	UC-003067-03
54	35	36.75	UC-003067-03
54	45	34.00	UC-003067-03
60	20	45.50	UC-003067-03
60	35	42.00	UC-003067-03
60	45	38.75	UC-003067-03
72	20	57.00	UC-003067-03
72	35	52.50	UC-003067-04
72	45	48.50	UC-003067-04
84	20	69.50	UC-003067-03
84	35	63.00	UC-003067-04
84	45	57.50	UC-003067-04

TOP COVER NO HANGERS			
PART NO	LENGTH	STYLE	
UC-003071-XXXX	59.88 [1521]	PEAKED	
UC-003071-XXXXF	59.88 [1521]	FLAT	

FIRST XX INDICATES BELT WIDTH  
NEXT XX INDICATES TROUGH ANGLE

TOP COVER W/ HANGERS			
PART NO	LENGTH	STYLE	
UC-003070-XXXX	59.88 [1521]	PEAKED	
UC-003070-XXXXF	59.88 [1521]	FLAT	

FIRST XX INDICATES BELT WIDTH  
NEXT XX INDICATES TROUGH ANGLE

ORDER QTY 2 P/N UC-003072-XXXX PER STRAIGHT DUST CURTAIN COVER

DUST CURTAINS STRAIGHT			
PART NUMBER	OPTION	LENGTH	
UC-003076-XXXXX	SLIT	19.50	
UC-003076-XXXX	SOLID	19.50	
UC-003077-XXXXX	SLIT	26.50	
UC-003077-XXXX	SOLID	26.50	
UC-003072-XXXX	CLAMP BAR	N/A	

FIRST XX INDICATES BELT WIDTH  
NEXT XX INDICATES TROUGH ANGLE

19.50 LONG CURTAIN USED WITH NO CHUTE EXTENSION  
26.50 LONG CURTAIN USED WITH CHUTE EXTENSION  
CLAMP BAR CAN BE USED ON BOTH SLIT/SOLID CURTAINS

TAIL TOP COVER	
PART NO	STYLE
UC-003092-XXXX	PEAKED
UC-003092-XXXXF	FLAT

FIRST XX INDICATES BELT WIDTH  
NEXT XX INDICATES TROUGH ANGLE

TAIL PANEL CLAMP	
PART NO	STYLE
UC-003095-XXXX	

FIRST XX INDICATES BELT WIDTH  
NEXT XX INDICATES TROUGH ANGLE

TAIL PANEL	
PART NO	STYLE
UC-003090-XXXX	PEAKED
UC-003090-XXXXF	FLAT

FIRST XX INDICATES BELT WIDTH  
NEXT XX INDICATES TROUGH ANGLE

TAIL PANEL RUBBER SHEET	
PART NO	LENGTH
37881-36	32.00 [813]
37881-42	38.00 [965]
37881-48	44.00 [1118]
37881-54	50.00 [1270]
37881-60	56.00 [1422]
37881-72	68.00 [1727]
37881-84	80.00 [2032]

FIRST XX INDICATES BELT WIDTH

STILLING ZONE COVER W/ HANGERS	
PART NO	LENGTH
UC-003080-XXXX	59.88 [1521]

FIRST XX INDICATES BELT WIDTH  
NEXT XX INDICATES TROUGH ANGLE

STILLING ZONE CURTAINS	
PART NO	STYLE
UC-003083-XXI	CENTER
UC-003084-XXI	SIDE

FIRST XX INDICATES BELT WIDTH

SPLICE COVER	
PART NO	STYLE
UC-003074-XXXX	PEAKED
UC-003074-XXXXF	FLAT

FIRST XX INDICATES BELT WIDTH  
NEXT XX INDICATES TROUGH ANGLE  
QTY 1 REQ'D PER TOP COVER/STILLING ZONE COVER

INNER SKIRTBOARD SUPPORT	
PART NO	END SUPPORT
UC-003040-XXXX	END SUPPORT
UC-003050-XXXX	SEAM SUPPORT

QTY 2 UC-003040-XXXX PER INSTALLATION  
QTY 1 UC-003050-XXXX REQ'D PER EVERY 2 - 5FT SECTIONS OF CHUTEWALL

OUTER SKIRTBOARD SUPPORTS	
PART NO	STYLE
UC-003060-XXXX	(EVO STRINGERS STD BASE)
UC-003060-XXXXW	(EVO STRINGERS WIDE BASE)
UC-003060-XXXXS	(CHANNEL STRINGERS STD BASE)
UC-003060-XXXXWS	(CHANNEL STRINGERS WIDE BASE)

FIRST XX INDICATES BELT WIDTH  
NEXT XX INDICATES TROUGH ANGLE  
QTY 1 REQUIRED FOR EVERY 5 BELT FEET OF CHUTEWALL  
QTY 1 (UC-003067-XX) (SEE CHART) MOUNTING BRACKET REQ'D PER SUPPORT (FIELD LOCATE AND WELD)

SKIRTBOARD	
PART NO	LENGTH
UC-003000	60.00 [1524]

ORDER 2 PER 5 LIN. FT. REQ'D CHUTE LENGTH

SKIRTBOARD EXTENSION	
PART NO	HEIGHT
UC-003020	6.00 [152]
UC-003020-12	12.00 [305]
UC-003020-18	18.00 [457]
UC-003020-24	24.00 [610]

ORDER 2 PER 5 LIN. FT. OF CHUTEWALL EXTENSIONS CAN BE STACKED TO DESIRED HEIGHT.

SKIRTBOARD EXTENSION END COVER	
PART NO	STYLE
UC-003075-XXXXXX	

FIRST XX INDICATES BELT WIDTH  
NEXT XX INDICATES TROUGH ANGLE  
NEXT XX INDICATES CHUTEWALL EXTENSION HEIGHT  
QTY 2 REQ'D PER INSTALLATION WHEN USING CHUTEWALL 6" EXTENSIONS

HARDWARE KITS		
PART NO	DESCRIPTION	QTY.
UC-003100-01	FOR ONE LEVEL OF SKIRTBOARD	1 PER 5 FT. SECTION
UC-003100-02	FOR SKIRTBOARD EXTENSIONS	1 PER 5 FT. OF EXTENSION
UC-003100-03	FOR STRAIGHT DUST CURTAINS	1 PER P/N UC-003070-XXXX
UC-003100-04	FOR STILLING ZONE CURTAINS	1 PER P/N UC-003080-XXXX
UC-003100-05	FOR OUTER SKIRTBOARD SUPPORTS	1 PER PAIR OF SUPPORTS

APRON SEAL	
PART NO	DESCRIPTION
100723	HD ONE PIECE
100724	STD ONE PIECE
100861	FLIP SEAL ONE PIECE

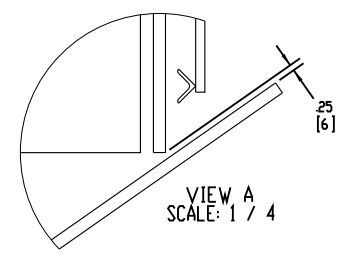
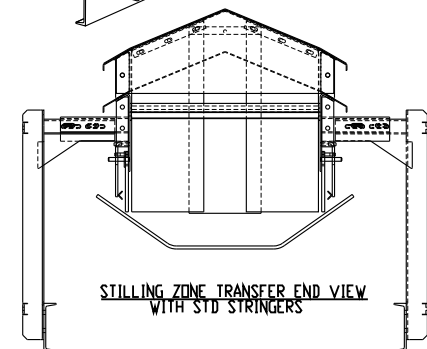
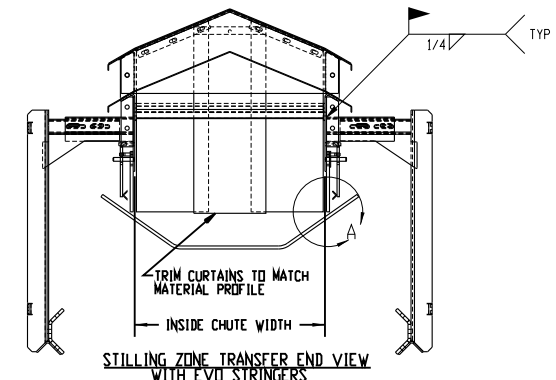
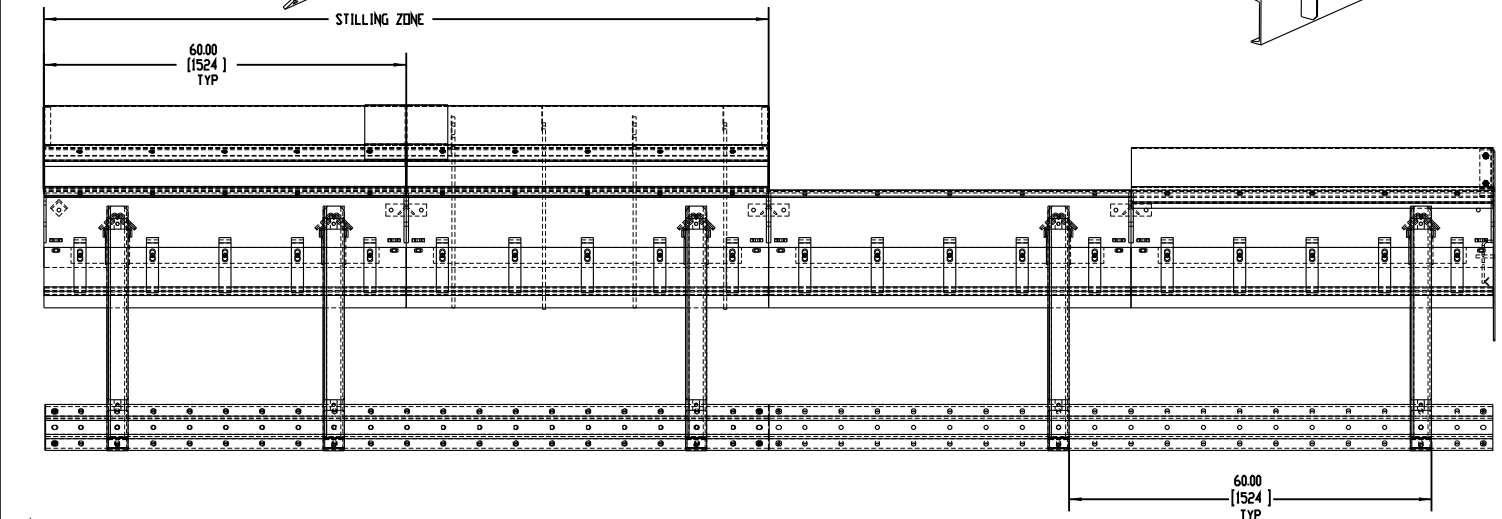
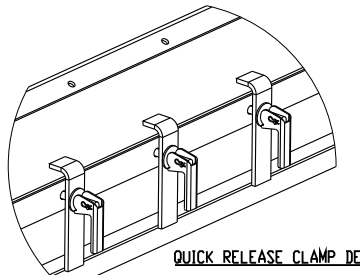
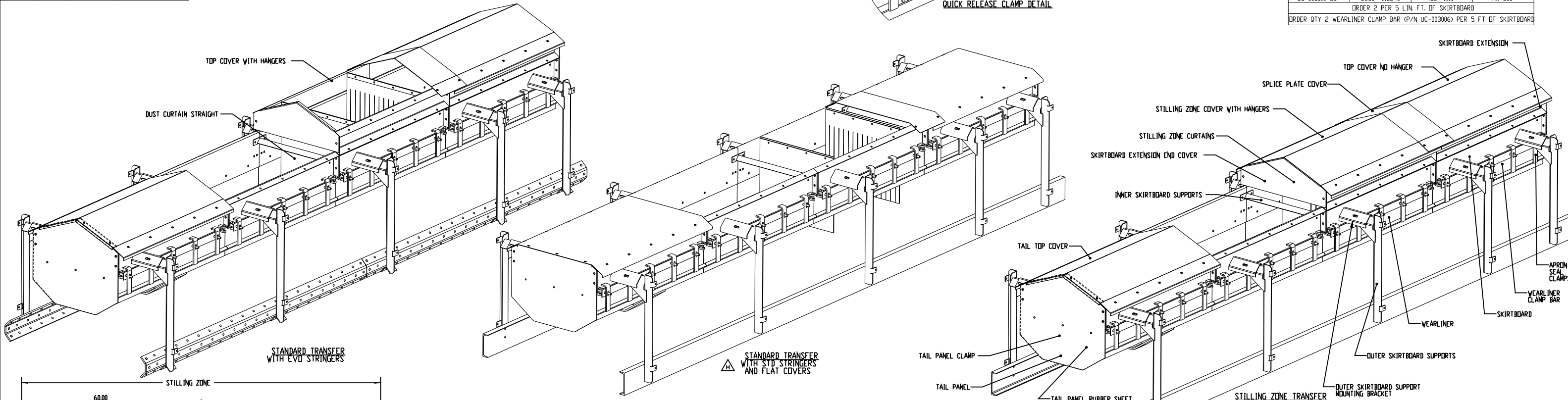
ORDER 2 X BELT FEET OF CHUTEWALL FOR TOTAL TRANSFER POINT REQUIREMENT

APRON SEAL CLAMPS (STD)	
PART NO	LENGTH
UC-003030	59.88 [1521]

ORDER 2 PER 5 LIN. FT. OF REQ'D CHUTE LENGTH

WEARLINER			
PART NO	LENGTH	THICKNESS	MATERIAL
UC-003010	60.00 [1524]	50 [13]	AR 500
UC-003010-25	60.00 [1524]	25 [6]	AR 500
UC-003010-38	60.00 [1524]	38 [10]	AR 500

ORDER 2 PER 5 LIN. FT. OF SKIRTBOARD  
ORDER QTY 2 WEARLINER CLAMP BAR (P/N UC-003006) PER 5 FT OF SKIRTBOARD



- NOTES:
- REMOVE ANY EXISTING CHUTEWALLS AND SUPPORTS.
  - ASSEMBLE NEW CHUTEWALLS END TO END ON TOP OF BELT. INSTALL INNER CHUTE SUPPORTS MAKING SURE TO KEEP CHUTEWALL CENTERED ON BELT.
  - ATTACH WEARLINER TO CHUTEWALLS. POSITION LINER IN THE CENTER OF THE SLOTS. PLACE 25 SHIM UNDERNEATH THE WEARLINER TO PROPERLY SPACE LINER ABOVE BELT.
  - DETERMINE LOCATION OF OUTER CHUTE SUPPORTS AND ATTACH TO STRINGER. WELD OUTER SUPPORT BRACKET TO CHUTEWALL.
  - INSTALL APRON SEAL AND CLAMPS.
  - INSTALL TAIL PANEL RUBBER SEAL SHEET AND CLAMP.
  - STARTING AT EXIT END OF CHUTEWALL INSTALL CHUTE EXTENSIONS, CURTAINS, COVERS, AND SPLICE PLATES.
  - CUT TAIL TOP COVER AND CENTER COVERS AS NEEDED TO FIT AROUND EXISTING FEED CHUTE(S).

NO.	DESCRIPTION	ECN	DATE	BY
H	ADDED FLAT COVER P/N'S UC-003070-XXXXF, UC-003092-XXXXF, AND UC-003090-XXXXF TO CHARTS / ADDED FLAT COVER VIEW (PR1306)	----	09/08/15	RND

© Copyright 2009 Martin Engineering. All rights reserved. Covered by U.S. and foreign patents pending and issued. ® and TM indicate trademarks of Martin Engineering.

MARTIN ENGINEERING-CFI  
NEPONSET, IL USA

DRAWN JRB  
DATE 02/08/09

CHECKED  
ENG. JAP  
DATE 08/31/09

IE. --  
DATE --

APPROVED JLM  
DATE 09/02/09

SCALE 1:16

TITLE: EVO CHUTEWALL COMPONENTS

DRAWING NUMBER: PR11387

S50062



