



# ***Martin® QC1™ Pre-Cleaner with Metal Tipped Blade***

[Go to Martin® QC1™ Pre-Cleaner with Metal Tipped Blade web page](#)



***Operator's Manual  
M3814***

# Important

MARTIN ENGINEERING HEREBY DISCLAIMS ANY LIABILITY FOR: DAMAGE DUE TO CONTAMINATION OF THE MATERIAL; USER'S FAILURE TO INSPECT, MAINTAIN AND TAKE REASONABLE CARE OF THE EQUIPMENT; INJURIES OR DAMAGE RESULTING FROM USE OR APPLICATION OF THIS PRODUCT CONTRARY TO INSTRUCTIONS AND SPECIFICATIONS CONTAINED HEREIN. MARTIN ENGINEERING'S LIABILITY SHALL BE LIMITED TO REPAIR OR REPLACEMENT OF EQUIPMENT SHOWN TO BE DEFECTIVE.

Observe all safety rules given herein along with owner and Government standards and regulations. Know and understand lockout/tagout procedures as defined by American National Standards Institute (ANSI) z244.1-1982, *American National Standard for Personnel Protection - Lockout/Tagout of Energy Sources - Minimum Safety Requirements* and Occupational Safety and Health Administration (OSHA) Federal Register, Part IV, 29 CFR Part 1910, *Control of Hazardous Energy Source (Lockout/Tagout); Final Rule*.

The following symbols may be used in this manual:



**Danger:** Immediate hazards that will result in severe personal injury or death.



**Warning:** Hazards or unsafe practices that could result in personal injury.



**Caution:** Hazards or unsafe practices that could result in product or property damages.



**Important:** Instructions that must be followed to ensure proper installation/operation of equipment.



**Note:** General statements to assist the reader.

# Table of Contents

---

<b>Section</b>	<b>Page</b>
List of Figures . . . . .	ii
List of Tables . . . . .	ii
Introduction . . . . .	1
General . . . . .	1
Installations without chutework . . . . .	1
Belt cleaner inspection access . . . . .	1
Belt cleaner blades . . . . .	1
References . . . . .	2
Materials required . . . . .	2
Safety . . . . .	2
Urethane shelf life . . . . .	4
Before Installing Belt Cleaner . . . . .	5
Installing Belt Cleaner and Tensioner . . . . .	6
Finding center point of belt cleaner mainframe . . . . .	7
Removing blade . . . . .	8
Installing tensioner . . . . .	8
Installing blade . . . . .	8
After Installing Belt Cleaner . . . . .	9
Weekly Maintenance . . . . .	10
Troubleshooting . . . . .	11
Part Numbers . . . . .	13

## List of Figures

---

<b>Figure</b>	<b>Title</b>	<b>Page</b>
1	Martin <sup>®</sup> QC1 <sup>™</sup> Cleaner HD with Metal Tipped Blade Mainframe Location. . . . .	6
2	Martin <sup>®</sup> QC1 <sup>™</sup> Cleaner PD with Metal Tipped Blade Mainframe Location . . . . .	7
3	Removing and Installing Blade . . . . .	8
4	Martin <sup>®</sup> QC1 <sup>™</sup> Cleaner HD with Metal Tipped Blade Assembly, P/N QC1H-XXMXXXXXXXX. . . . .	14
5	Martin <sup>®</sup> QC1 <sup>™</sup> Cleaner PD with Metal Tipped Blade Assembly, P/N PQC1H-XXMXXXXXXXX . . . . .	17
6	Martin <sup>®</sup> Conveyor Products Warning Label, P/N 23395 . . . . .	19
7	Metal-Tipped Blade Caution Label, P/N 38679 . . . . .	19

## List of Tables

---

<b>Table</b>	<b>Title</b>	<b>Page</b>
I	Martin <sup>®</sup> QC1 <sup>™</sup> Cleaner Blade Colors, Materials, and Specifications. . . . .	3
II	Urethane Shelf Life . . . . .	4
III	Part Numbers and Dimensions for Martin <sup>®</sup> QC1 <sup>™</sup> Cleaner HD with Metal Tipped Blade Assembly. . . . .	16
IV	Part Numbers and Dimensions for Martin <sup>®</sup> QC1 <sup>™</sup> Cleaner PD with Metal Tipped Blade Assembly. . . . .	18

# Introduction

---

## *General*

The Martin® QC1™ Pre-Cleaner with Metal Tipped Blade combines effective removal of carryback with “quick-change” one-pin replacement of a long-lasting blade. To introduce product back into the product flow, the Martin® QC1™ Pre-Cleaner with Metal Tipped Blade is installed on the face of the head pulley. On a dual-cleaner system, the Secondary Cleaner is installed immediately following the Pre-Cleaner to remove stubborn material left on the conveyor belt. If a Pre-Cleaner cannot be used because of space limitations, the Secondary Cleaner is installed alone. If the material-handling process or product could be affected by contamination from the use of these belt cleaners, the user is responsible for taking the necessary steps to prevent contamination. Consult Martin Engineering or a representative for alternate belt cleaners or belt cleaner locations to use where contamination may be an issue.

## *Installations without chutework*

These procedures were written for equipment that is being installed on enclosed pulley chutework. If the pulley is not enclosed, the equipment should be installed using the best available field resources and methods to ensure that the critical dimensions are followed for proper installation.

The Martin® Hanger Mount Assembly, P/N 27382, can be used for installations without chutework.

## *Belt cleaner inspection access*

If the belt cleaner is installed on enclosed pulley chutework, a Martin® Inspection Door should be installed. Martin® Inspection Doors are available from Martin Engineering or a representative.

## *Belt cleaner blades*

### **⚠ CAUTION**

**Martin® QC1™ Pre-Cleaner with Metal Tipped Blade should NOT be used on belts with mechanical fasteners. It is intended to be used only on Vulcanized Belts. When used on belts with mechanical fasteners, damage may occur to both the belt and the cleaner assembly. The cleaner should NOT be used on a belt that contains gouges, holes, or other belt imperfections, as the cleaner may cause further damage to the belt.**

## *Materials required*

Only standard hand tools are required to install and service this equipment.

## References

The following documents are referenced in this manual:

- American National Standards Institute (ANSI) z244.1-1982, *American National Standard for Personnel Protection - Lockout/Tagout of Energy Sources - Minimum Safety Requirements*, American National Standards Institute, Inc., 1430 Broadway, New York, NY 10018.
- Federal Register, Volume 54, Number 169, Part IV, 29 CFR Part 1910, *Control of Hazardous Energy Source (Lockout/Tagout); Final Rule*, Department of Labor, Occupational Safety and Health Administration (OSHA), 32nd Floor, Room 3244, 230 South Dearborn Street, Chicago, IL 60604.
- *Martin® QC1™ Cleaner PD Operator's Manual*: P/N M3798.
- *Martin® Inspection Door Operator's Manual*, P/N M3891.
- *Martin® Twist Tensioner Operator's Manual*, P/N M3837.
- *Martin® Spring and Air Tensioners Operator's Manual*, P/N M3263.

## Materials required

Only standard hand tools are required to install and service this equipment.

## Safety

All safety rules defined in the above documents and all owner/employer safety rules must be strictly followed when working on the belt cleaner.



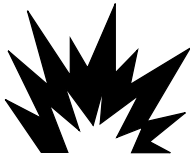
### **⚠ DANGER**

**Do not touch or go near the conveyor belt or conveyor accessories when the belt is running. Your body or clothing can get caught and you can be pulled into the conveyor, resulting in severe injury or death.**



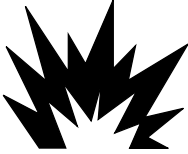
### **⚠ DANGER**

**Before installing, servicing, or adjusting the belt cleaner, turn off and lock out/tag out all energy sources to the conveyor and conveyor accessories according to ANSI standards. Failure to do so could result in serious injury or death.**

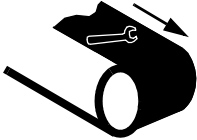


### **⚠ DANGER**

**If this equipment will be installed in an enclosed area, test the gas level or dust content before using a cutting torch or welding. Using a torch or welding in an area with gas or dust may cause an explosion resulting in serious injury or death.**


**⚠ WARNING**

Before using a cutting torch or welding the chute wall, cover the conveyor belt with a fire retardant cover. Failure to do so can allow the belt to catch fire.


**⚠ WARNING**

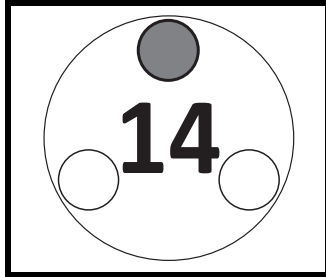
Remove all tools from the installation area and conveyor belt before turning on the conveyor. Failure to do so can cause serious injury to personnel or damage to the belt and conveyor.


**⚠ WARNING**

Mainframe with blade can be heavy and may require two people to lift. Attempting to lift the belt cleaner without assistance could result in injury.

**Table I. Martin® QC1™ Cleaner Blade Colors, Materials and Specifications**

URETHANE SELECTION	APPLICATION DESCRIPTION	TYPICAL MATERIALS	CONTINUOUS TEMPERATURE
Orange	<b>Standard Martin® Urethane</b> Suitable for 80% or more of all belt cleaner applications, including abrasive conditions.	Bauxite, Coke, Coal, Overburden Refuse	-20° to 160°F (-29° to 71°C)
Brown (BR)	<b>Chemical-Resistant Urethane</b> Improves resistance to chemicals; reduced absorption of water in high-moisture environments.	Limestone	-40° to 160°F (-40° to 71°C)
Green (GR)	<b>High-Temperature Urethane</b> For exposure to intermittent temperatures up to 350°F (177°C).	Clinker	-40° to 300°F (-40° to 149°C)

*Urethane shelf life***IMPORTANT**

Urethane put in service after exceeding its shelf life may wear differently and deteriorate quicker than normal urethane.

**NOTE**

Code Date is written near bottom of blade as mm/dd/yy-x. In addition to or in place of this date, you may see an imprinted date medallion similar to the example shown. In this example, “14” stands for the year 2014. The small circles represent the quarter of the year. If three circles are “punched” the blade was produced in the first quarter. If none of the circles are “punched” the blade was produced in the fourth quarter. If code date on your blade(s) is not legible or is missing, contact Martin Engineering or a representative.

**Table II. Urethane Shelf Life**

Blade Color	Shelf Life
Brown	2 Years from Code Date
Green	2 Years from Code Date
Orange	1 Year from Code Date



# Before Installing Belt Cleaner

## IMPORTANT

The delivery service is responsible for damage occurring in transit. Martin Engineering CANNOT enter claims for damages. Contact your transportation agent for more information.

1. Inspect shipping container for damage. Report damage to delivery service immediately and fill out delivery service's claim form. Keep any damaged goods subject to examination.
2. Remove belt cleaner assembly from shipping container.
3. If anything is missing contact Martin Engineering or a representative.



## WARNING

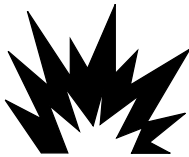
Before installing equipment, turn off and lock out/ tag out all energy sources to the conveyor and conveyor accessories according to ANSI standards. Failure to do so could result in serious injury or death.

4. Turn off and lock out/tag out energy source according to ANSI standards (see "References").

## DANGER

If this equipment will be installed in an enclosed area, test the gas level or dust content before using a cutting torch or welding. Using a torch or welding in an area with gas or dust may cause an explosion resulting in serious injury or death.

5. If using a cutting torch or welding, test atmosphere for gas level or dust content. Cover conveyor belt with fire retardant cover.



## IMPORTANT

Center the belt cleaner blades to clean an area narrower than the conveyor belt width. This allows for side-to-side movement of the belt and prevents damage to the belt edge.

## NOTE

The chute wall that the tensioner will be located on is referred to as the "operator side." The other side of the chute is referred to as the "far side." (If installing dual tensioners, side that is most accessible is "operator side.")

6. If using a cutting torch or welding, test atmosphere for gas level or dust content.

# Installing Belt Cleaner and Tensioner

**IMPORTANT**

Read entire section before beginning work.

**CAUTION**

Martin® QC1™ Pre-Cleaner with Metal Tipped Blade should NOT be used on belts with mechanical fasteners. It is intended to be used only on Vulcanized Belts. When used on belts with mechanical fasteners, damage may occur to both the belt and the cleaner assembly. The cleaner should NOT be used on a belt that contains gouges, holes, or other belt imperfections, as the cleaner may cause further damage to the belt.

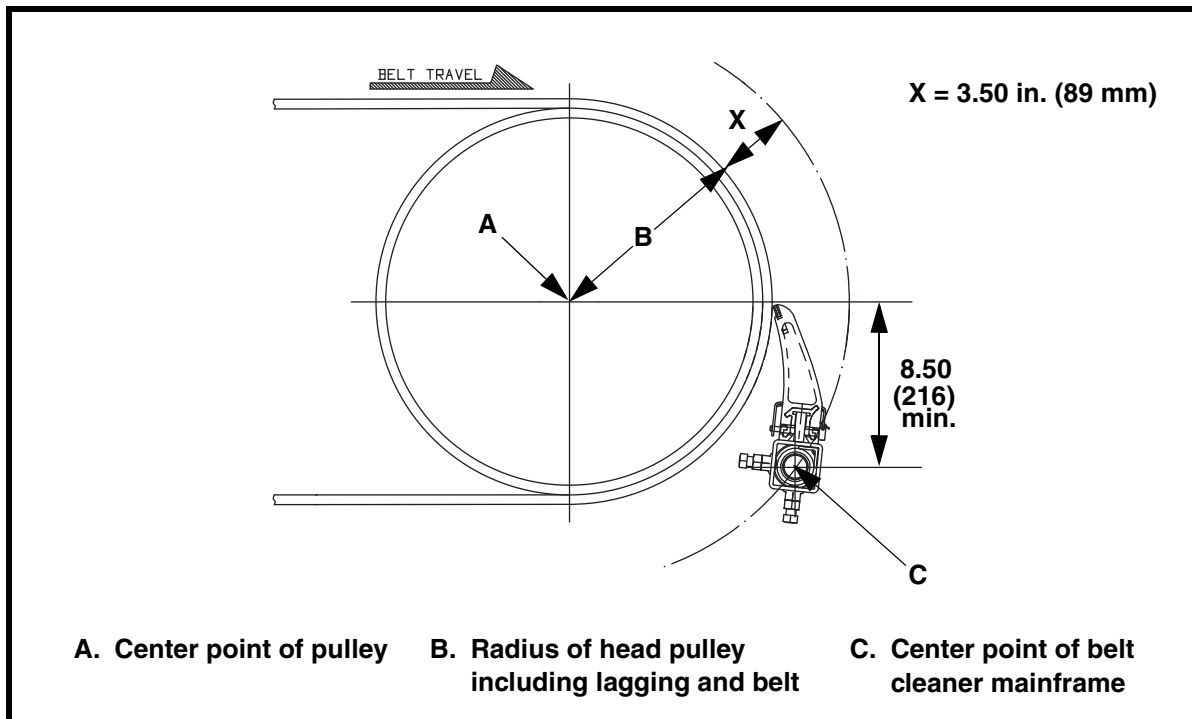
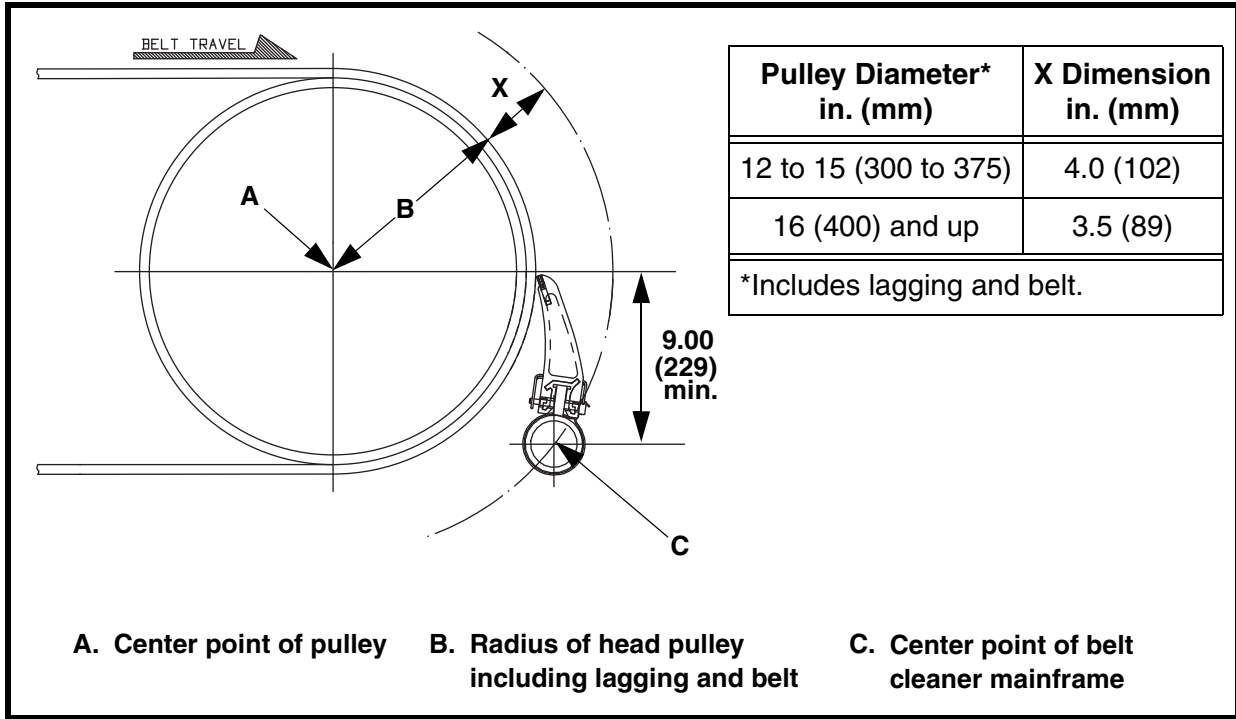


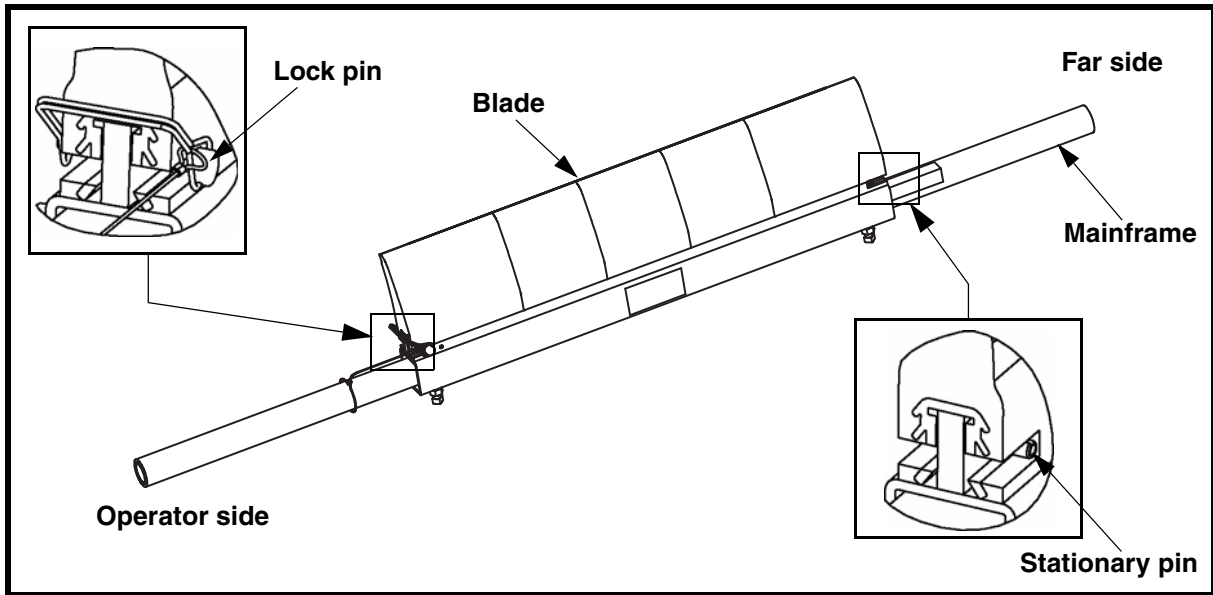
Figure 1. Martin® QC1™ Cleaner HD with Metal Tipped Blade Mainframe Location



**Figure 2. Martin® QC1™ Cleaner PD with Metal Tipped Blade Mainframe Location**

***Finding center point of belt cleaner mainframe***

1. On operator side of chute, find pulley center point (A).
2. Measure radius of head pulley including lagging and belt thickness (B). To this dimension, add dimension X from either Figure 1 or Figure 2 depending on mainframe design.
3. Starting from center point (A), measure the total distance calculated in step 2 (B + X) and draw an arc on chute wall.
4. Measure down from pulley's horizontal centerline the distance shown in Figure 1 and draw a horizontal line parallel to it. Locate center point of belt cleaner mainframe (C) where this line intersects the arc on the chute wall.
5. Make sure mainframe and blade do not lie in path of material unloading from conveyor belt. Make sure blade tip of belt cleaner is at or below pulley's horizontal centerline.
6. Repeat steps 1 through 5 for far side chute wall.



**Figure 3. Removing and Installing Blade**

***Removing blade***

1. Remove lock pin from operator side of mainframe and blade.
2. Pull blade away from stationary pin on far side of mainframe, and remove from mainframe. Make sure lock pin remains attached to mainframe.

***Installing tensioner***

1. Install tensioner according to applicable tensioner's manual.
2. If using Martin® Inspection Door, install according to *Martin® Inspection Door Operator's Manual*, P/N M3891.

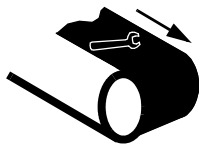
***Installing blade***

1. Position blade on mainframe with blade curve facing conveyor belt. Push far side end of blade against stationary pin until it locks.
2. Insert lock pin in mainframe and blade.
3. Make sure blades are centered on belt and mainframe is parallel to belt.
4. Tension belt cleaner according to applicable tensioner's manual.

# After Installing Belt Cleaner



1. Thoroughly wipe chute wall clean above tensioner.
2. Place Conveyor Products Warning Label (P/N 23395) and Metal-Tipped Blade Caution Label (P/N 38679) on outside chute wall visible to belt cleaner operator.



## **⚠ WARNING**

Failure to remove tools from installation area and conveyor belt before turning on energy source can cause serious injury to personnel and damage to belt.



## **⚠ DANGER**

Do not touch or go near conveyor belt or conveyor accessories when conveyor belt is running. Body or clothing can get caught and pull body into conveyor belt, causing severe injury or death.

3. Turn on conveyor belt for 1 hour, then turn off.



## **⚠ DANGER**

Before installing, servicing, or adjusting the belt cleaner/tensioner, turn off and lock out/tag out all energy sources to the conveyor and conveyor accessories according to ANSI standards. Failure to do so could result in serious injury or death.

4. Make sure all fasteners are tight. Tighten if necessary.
5. Inspect belt cleaner for the following:
  - Wear. (A small amount of “break-in” wear may be found. This will stop once blades wear to conveyor belt contour.)
  - Material buildup. (No material between blades and return side of conveyor belt should be found.)
6. If wear, material buildup, or some other problem exists, see “Troubleshooting.”

# Weekly Maintenance

---

## IMPORTANT

Read entire section before beginning work.

## NOTE

Maintenance inspection should be performed no less than weekly. Some applications may require more frequent maintenance inspections.



## ⚠ DANGER

Before installing, servicing, or adjusting the belt cleaner/tensioner, turn off and lock out/tag out all energy sources to the conveyor and conveyor accessories according to ANSI standards. Failure to do so could result in serious injury or death.

1. Remove any material from belt cleaner.
2. Make sure all fasteners are tight. Tighten if necessary.
3. Check tension on cleaner. Re-tension if necessary.
4. Wipe all labels clean. If labels are not readable, contact Martin Engineering or a representative for replacements.
5. Check blades for excessive wear. Replace if necessary.
6. Remove equipment from service if there is any indication it is not functioning properly. Call Martin Engineering or a representative for assistance. Do NOT return equipment to operation until the cause of the problem has been identified and corrected.

## ⚠ WARNING

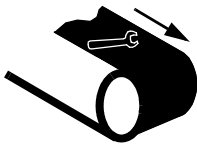
Failure to remove tools from maintenance area and conveyor belt before turning on energy source can cause serious injury to personnel and damage to belt.

7. Remove all tools from maintenance area.

## ⚠ DANGER

Do not touch or go near conveyor belt or conveyor accessories when conveyor belt is running. Body or clothing can get caught and pull body into conveyor belt, causing severe injury or death.

8. Start conveyor belt.



# Troubleshooting

Symptom	Corrective Action
Insufficient cleaning and carryback.	<ul style="list-style-type: none"> <li>• Tension of cleaner on belt is set too low or too high. Increase or decrease tensioner setting.</li> <li>• Blades are worn. Check blades and replace if necessary.</li> </ul>
Noise or vibration.	Tension is not sufficient or is set too high. Correct tension as necessary. If this does not correct problem, blade urethane may not match application. Contact Martin Engineering or representative.
Corrosion or chemical degradation.	Blade urethane may not match application. Contact Martin Engineering or a representative.

## NOTE

Conveyor equipment such as conveyor belt cleaners are subject to a wide variety of bulk materials characteristics and often have to perform under extreme operating or environmental conditions. It is not possible to predict all circumstances that may require troubleshooting. Contact Martin Engineering or a representative if you are experiencing problems other than those listed in the “Troubleshooting” chart above. Do not return the equipment to operation until the problem has been identified and corrected.

### ***Installation checklist***

If after taking the corrective actions suggested under “Troubleshooting” you are still experiencing problems, check for the following:

Installation Checklist
✓ Pre-Cleaner mainframe is proper distance from belt surface on both ends of mainframe.
✓ Pre-Cleaner blade tip is at or below horizontal center line of pulley and does not lie in path of material flow.
✓ Blades are centered on belt.





# Part Numbers

---

This section provides product names and corresponding part numbers for Martin® QC™ Cleaners and related equipment. Please reference part numbers when ordering parts:

## ***Martin® Belt Cleaners and Tensioners***

**Martin® QC1™ Cleaner HD with Metal Tipped Blade Assembly:**  
P/N QC1H-XXMXXXXXXXX. See Figure 4.

Belts 18 to 48 in. wide:

**Martin® Twist Tensioner:** P/N 38850.

**Martin® Spring Tensioner:** P/N 38180.

Belts 54 to 96 in. wide:

**Martin® Twist Dual Tensioners:** P/N 38850-2.

**Martin® Dual Spring Tensioners:** P/N 38180-2.

**Martin® QC1™ Cleaner PD with Metal Tipped Blade Assembly:**  
P/N PQC1H-XXMXXXXXXXX. See Figure 5.

Belts 18 to 48 in. wide:

**Martin® Twist Tensioner:** P/N 38554.

**Martin® Spring Tensioner:** P/N 38555-1.

Belts 54 to 84 in. wide:

**Martin® Twist Dual Tensioners:** P/N 38554-2.

**Martin® Spring Tensioner:** P/N 38555-2.

## ***Operator's manuals***

***Martin® QC1™ Cleaner PD Operator's Manual:*** P/N M3798.

***Martin® Spring and Air Tensioners Operator's Manual:*** P/N M3263.

***Martin® Twist Tensioner Operator's Manual:*** P/N M3837.

***Martin® Inspection Door Operator's Manual:*** P/N M3891.

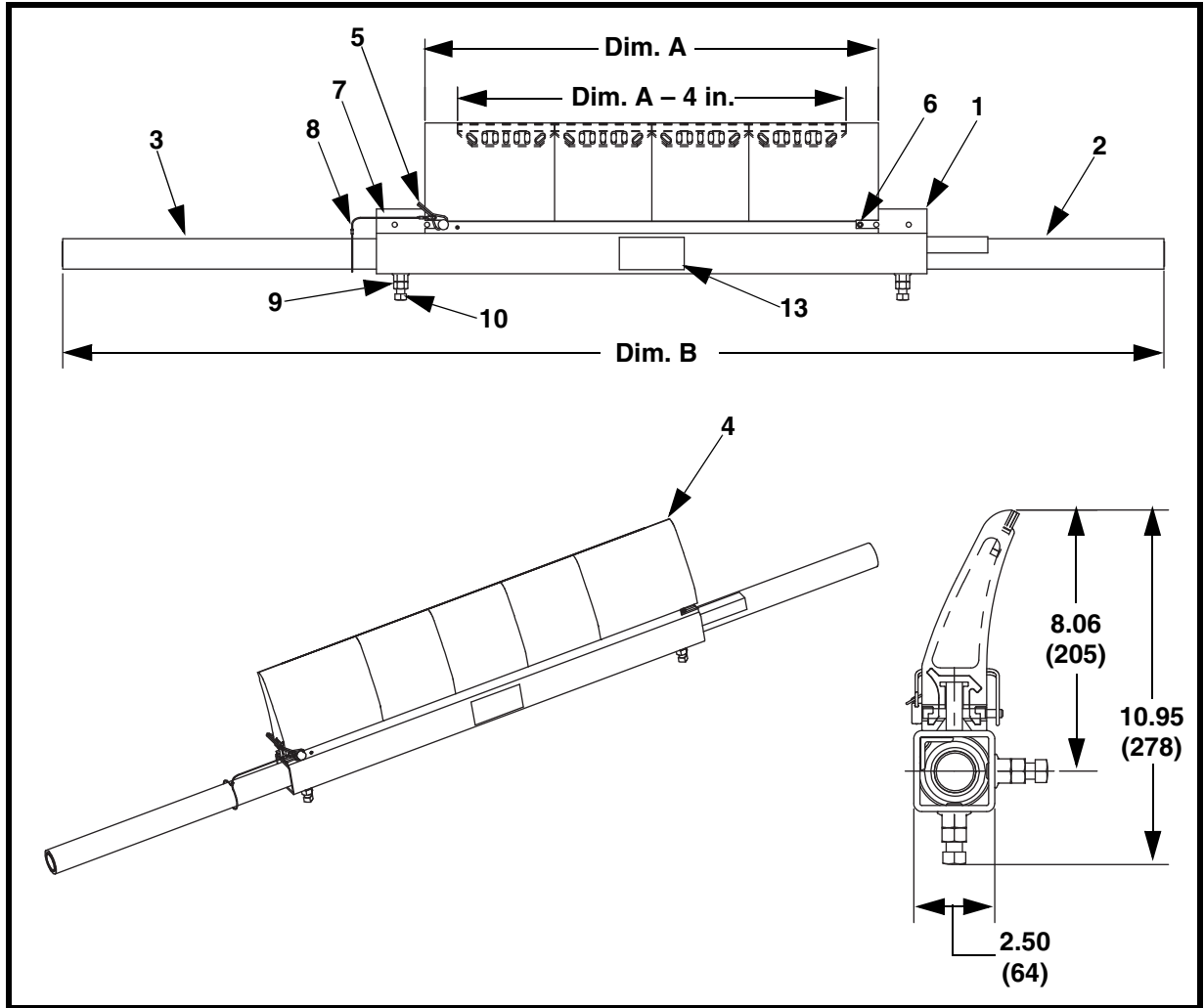


Figure 4. Martin® QC1™ Cleaner HD with Metal Tipped Blade Assembly,  
P/N QC1H-XXMXXXXXXX

<b>Item</b>	<b>Description</b>	<b>Part No.</b>	<b>Qty.</b>
1	Mainframe Weldment	Table III	1
2	Pipe End Weldment	Table III	1
3	Pipe End Weldment	Table III	Tbl III
4	Blade Assembly	Table III	1
5	Pin Wire Lock 1/4 x 2-1/2	32772	1
6	Pin Slotted Spring 5/16 x 2 SS	SP03373-02	1
7	Cable 1/16 Dia.	Table III	2
8	Cable Clip 1/16	Table III	2
9	Nut Hex Jam 1/2 - 13 NC ZP	Table III	4
10	Screw SHS 1/2 - 13NC x 1-1/2 SS	33190	4
11 (NS)	Label Martin® Products	38048	2
12 (NS)	Label Conveyor Products Warning	23395	2
13	Label Metal-Tipped Blade Caution	38679	2
14 (NS)	Manual Operator's	M3814	1
15 (NS)	Label Instructions	M3816	1
16 (NS)	Martin® Twist Tensioner Assembly	Table III	1
17 (NS)	Martin® Spring Tensioner Assembly	Table III	1

NS = Not Shown

Notes: All dimensions are given in inches (mm). All dimensions are for reference only.

The first XX indicates belt width. The M indicates metal-tipped blade. The next X indicates blade type: no blades (0), mild steel tungsten carbide tipped blade (T), or corrosion resistant tungsten carbide tipped blade (C). The next XX indicates blade coverage. The next XX indicates blade color. The next X indicates mainframe type: standard-duty (P) or stainless steel (S). The last X indicates accessory options: no options (0), stainless steel Martin® Twist Tensioner (A), stainless steel Martin® Spring Tensioner (B), Martin® Twist Tensioner (T), or Martin® Spring Tensioner (S).

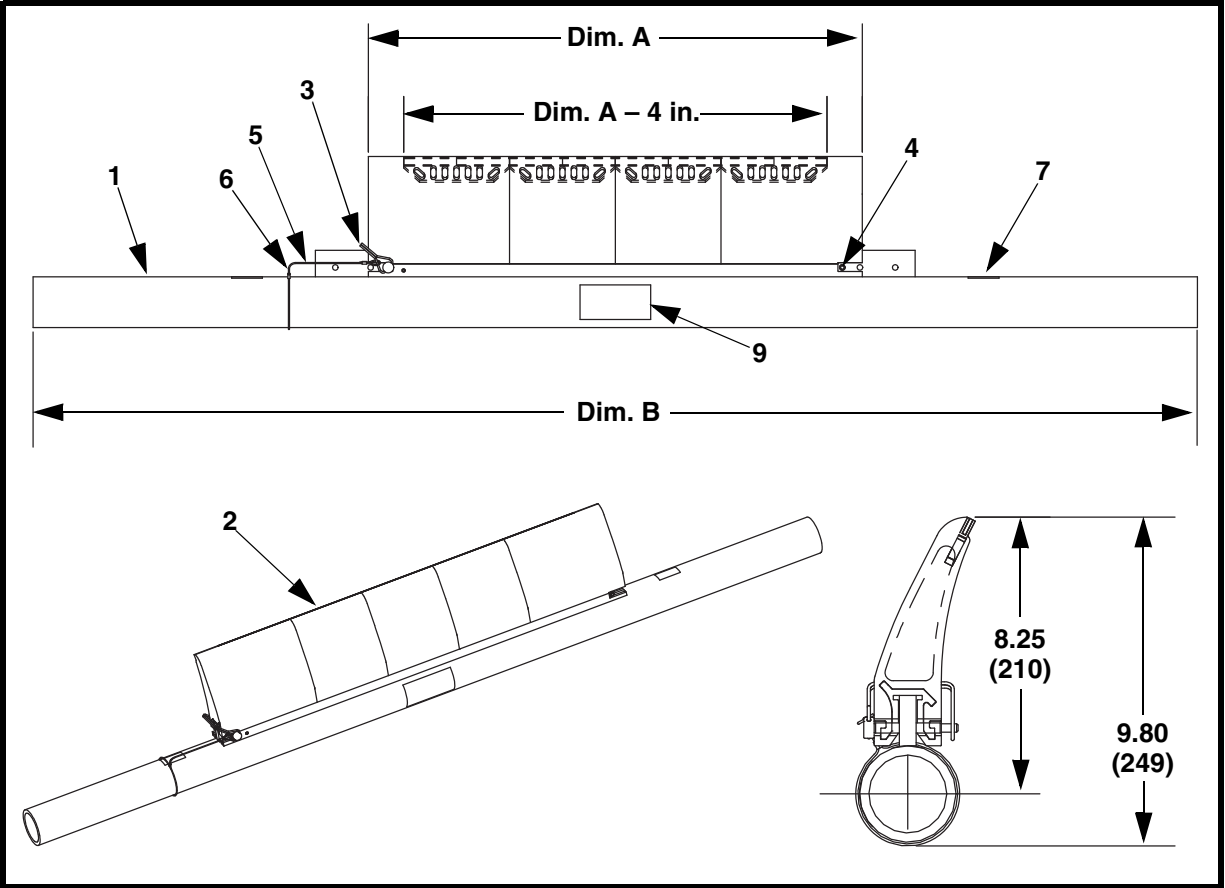
**Table III. Part Numbers and Dimensions for Martin® QC1™ Cleaner HD with Metal Tipped Blade Assembly**

Part No.	Dim. A in. (mm)	Dim. B in. (mm)	P/N Item 1	P/N Item 2*	P/N Item 3*	Qty Item 3	P/N Item 4	Weight (lbs.) w/o Tensioner
QC1H-18MX16XXXX	16 (406)	44 (1118)	36897-18	30354-01	30354-02	1	QC1HM-18MX16XX	39
QC1H-24MX16XXXX	16 (406)	50 (1270)	36897-24	30354-02	30354-02	1	QC1HM-24MX16XX	45
QC1H-24MX22XXXX	22 (559)	50 (1270)	36897-24	30354-02	30354-02	1	QC1HM-24MX22XX	48
QC1H-30MX22XXXX	22 (559)	62 (1575)	36897-30	30354-02	30354-03	1	QC1HM-30MX22XX	57
QC1H-30MX28XXXX	28 (711)	62 (1575)	36897-30	30354-02	30354-03	1	QC1HM-30MX28XX	60
QC1H-36MX28XXXX	28 (711)	68 (1727)	36897-36	30354-02	30354-03	1	QC1HM-36MX28XX	65
QC1H-36MX34XXXX	34 (864)	68 (1727)	36897-36	30354-02	30354-03	1	QC1HM-36MX34XX	68
QC1H-42MX34XXXX	34 (864)	74 (1880)	36897-42	30354-02	30354-03	1	QC1HM-42MX34XX	72
QC1H-42MX40XXXX	40 (1016)	74 (1880)	36897-42	30354-02	30354-03	1	QC1HM-42MX40XX	75
QC1H-48MX40XXXX	40 (1016)	80 (2032)	36897-48	30354-02	30354-03	1	QC1HM-48MX40XX	79
QC1H-48MX46XXXX	46 (1168)	80 (2032)	36897-48	30354-02	30354-03	1	QC1HM-48MX46XX	82
QC1H-54MX46XXXX	46 (1168)	86 (2184)	36897-54	30354-02	30354-03	1	QC1HM-54MX46XX	87
QC1H-54MX52XXXX	52 (1321)	86 (2184)	36897-54	30354-02	30354-03	1	QC1HM-54MX52XX	90
QC1H-60MX52XXXX	52 (1321)	98 (2489)	36897-60	30354-03	30354-03	1	QC1HM-60MX52XX	99
QC1H-60MX58XXXX	58 (1473)	98 (2489)	36897-60	30354-03	30354-03	1	QC1HM-60MX58XX	102
QC1H-66MX58XXXX	58 (1473)	104 (2642)	36897-66	30354-03	30354-03	1	QC1HM-66MX58XX	106
QC1H-66MX64XXXX	64 (1626)	104 (2642)	36897-66	30354-03	30354-03	1	QC1HM-66MX64XX	109
QC1H-72MX64XXXX	64 (1626)	110 (2794)	36897-72	30354-03	30354-03	1	QC1HM-72MX64XX	114
QC1H-72MX70XXXX	70 (1778)	110 (2794)	36897-72	30354-03	30354-03	1	QC1HM-72MX70XX	117
QC1H-78MX70XXXX	70 (1778)	117 (2972)	36897-78	30354-06	-	-	QC1HM-78MX70XX	145
QC1H-78MX76XXXX	76 (1930)	117 (2972)	36897-78	30354-06	-	-	QC1HM-78MX76XX	148
QC1H-84MX76XXXX	76 (1930)	123 (3124)	36897-84	30354-04	-	-	QC1HM-84MX76XX	155
QC1H-84MX82XXXX	82 (2083)	123 (3124)	36897-84	30354-04	-	-	QC1HM-84MX82XX	158
QC1H-90MX82XXXX	82 (2083)	129 (3277)	36897-90	30354-15	-	-	QC1HM-90MX82XX	166
QC1H-96MX88XXXX	88 (2235)	135 (3429)	36897-96	30354-05	-	-	QC1HM-96MX88XX	176
QC1H-96MX94XXXX	94 (2388)	135 (3429)	36897-96	30354-05	-	-	QC1HM-96MX94XX	179

\*Add (SS) to part number for stainless steel.

Belt Width	P/N Item 16 (Painted)	P/N Item 16 (Stainless Steel)	P/N Item 17 (Painted)	P/N Item 17 (Stainless Steel)
18–48 in.	38850	31443-SS	38180	38180-SS
54–96 in.	38850-2	31443-DSS	38180-2	38180-2SS

Assembly P/N	P/N Item 7	P/N Item 8	P/N Item 9
QC1H-XXMXXXXXPX	102249	28112	11771
QC1H-XXMXXXXXSX	100598	33832	37752



**Figure 5. Martin® QC1™ Cleaner PD with Metal Tipped Blade Assembly, P/N PQC1H-XXMXXXXXXX**

Item	Description	Part No.	Qty.
1	Mainframe Weldment	Table IV	1
2	Blade Assembly	Table IV	1
3	Pin Wire Lock 1/4 x 2-1/2	32772	1
4	Pin Slotted Spring 5/16 x 2 ZP	32774	1
5	Cable 1/16 Dia.	102249	2
6	Cable Clip 1/16	28112	2
7	Label Martin® Products	38048	2
8 (NS)	Label Conveyor Products Warning	23395	2
9	Label Metal-Tipped Blade Caution	38679	2
10 (NS)	Manual Operator's	M3814	1
11 (NS)	Label Instructions	M3816	1
12 (NS)	Martin® Twist Tensioner Assembly	Table IV	1
13 (NS)	Martin® Spring Tensioner Assembly	Table IV	1

NS = Not Shown

Notes: All dimensions are given in inches (mm). All dimensions are for reference only. The first XX indicates belt width. The M indicates metal-tipped blade. The next X indicates blade type: no blades (0), mild steel tungsten carbide tipped blade (T), or corrosion resistant tungsten carbide tipped blade (C). The next XX indicates blade coverage. The next XX indicates blade color. The next X indicates mainframe type: standard-duty (P). The last X indicates accessory options: no options (0), Martin® Twist Tensioner (T), or Martin® Spring Tensioner (S).

**Table IV. Part Numbers and Dimensions for Martin® QC1™ Cleaner PD  
with Metal Tipped Blade Assembly**

Part No.	Dim. A in. (mm)	Dim. B in. (mm)	P/N Item 1	P/N Item 2	Weight (lbs.) w/o Tensioner
PQC1H-18MX16XXXX	16 (406)	48 (1219)	38551-18	QC1HC-18MX16XX	42
PQC1H-24MX16XXXX	16 (406)	54 (1372)	38551-24	QC1HC-24MX16XX	48
PQC1H-24MX22XXXX	22 (559)	54 (1372)	38551-24	QC1HC-24MX22XX	51
PQC1H-30MX22XXXX	22 (559)	60 (1524)	38551-30	QC1HC-30MX22XX	56
PQC1H-30MX28XXXX	28 (711)	60 (1524)	38551-30	QC1HC-30MX28XX	59
PQC1H-36MX28XXXX	28 (711)	66 (1676)	38551-36	QC1HC-36MX28XX	64
PQC1H-36MX34XXXX	34 (864)	66 (1676)	38551-36	QC1HC-36MX34XX	67
PQC1H-42MX34XXXX	34 (864)	72 (1829)	38551-42	QC1HC-42MX34XX	73
PQC1H-42MX40XXXX	40 (1016)	72 (1829)	38551-42	QC1HC-42MX40XX	76
PQC1H-48MX40XXXX	40 (1016)	78 (1981)	38551-48	QC1HC-48MX40XX	81
PQC1H-48MX46XXXX	46 (1168)	78 (1981)	38551-48	QC1HC-48MX46XX	84
PQC1H-54MX46XXXX	46 (1168)	84 (2134)	38551-54	QC1HC-54MX46XX	89
PQC1H-54MX52XXXX	52 (1321)	84 (2134)	38551-54	QC1HC-54MX52XX	92
PQC1H-60MX52XXXX	52 (1321)	90 (2286)	38551-60	QC1HC-60MX52XX	97
PQC1H-60MX58XXXX	58 (1473)	90 (2286)	38551-60	QC1HC-60MX58XX	101
PQC1H-66MX58XXXX	58 (1473)	96 (2438)	38551-66	QC1HC-66MX58XX	106
PQC1H-66MX64XXXX	64 (1626)	96 (2438)	38551-66	QC1HC-66MX64XX	109
PQC1H-72MX64XXXX	64 (1626)	102 (2591)	38551-72	QC1HC-72MX64XX	114
PQC1H-72MX70XXXX	70 (1778)	102 (2591)	38551-72	QC1HC-72MX70XX	117
PQC1H-78MX70XXXX	70 (1778)	108 (2743)	38551-78	QC1HC-78MX70XX	122
PQC1H-78MX76XXXX	76 (1930)	108 (2743)	38551-78	QC1HC-78MX76XX	125
PQC1H-84MX76XXXX	76 (1930)	114 (2896)	38551-84	QC1HC-84MX76XX	131
PQC1H-84MX82XXXX	82 (2083)	114 (2896)	38551-84	QC1HC-84MX82XX	134

Belt Width	P/N Item 12	P/N Item 13
18–48 in.	38554	38555-1
54–96 in.	38554-2	38555-2

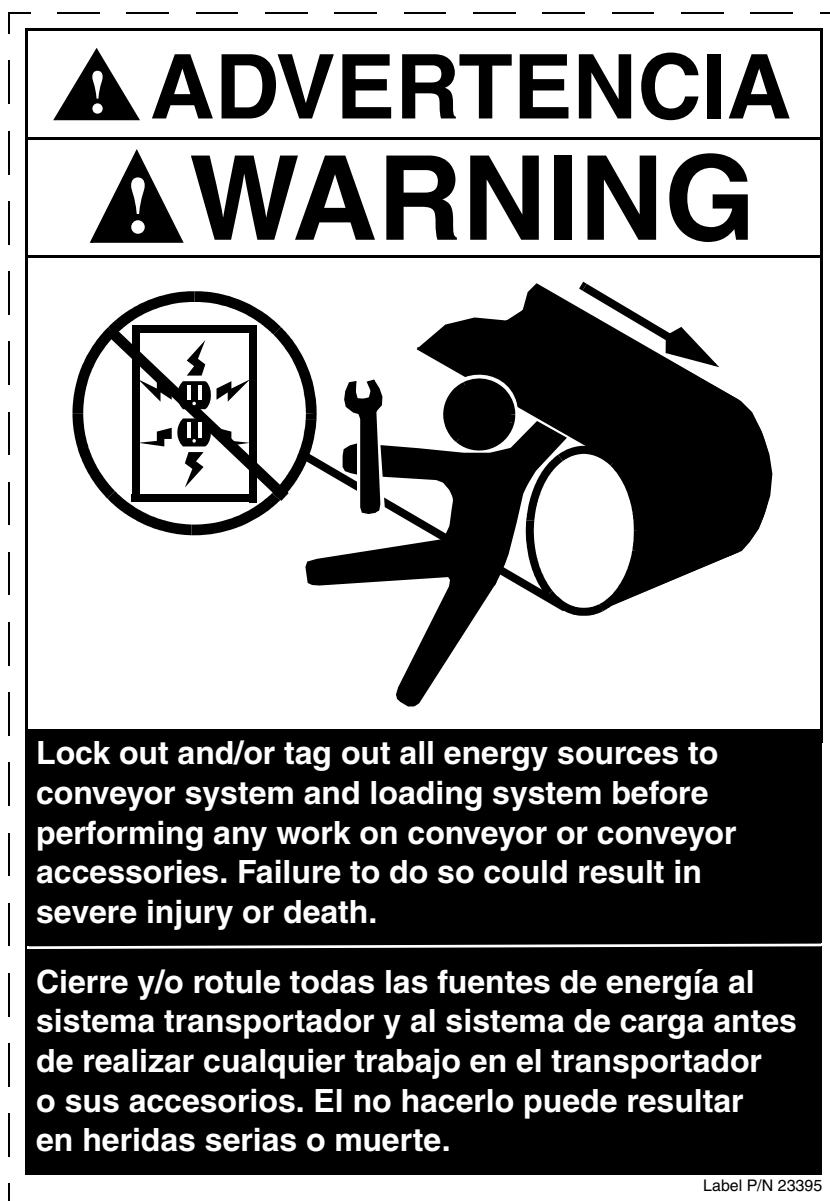


Figure 6. Martin® Conveyor Products Warning Label, P/N 23395



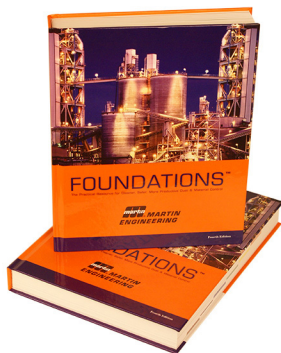
Figure 7. Metal-Tipped Blade Caution Label, P/N 38679





*Any product, process, or technology described here may be the subject of intellectual property rights reserved by Martin Engineering Company. Trademarks or service marks designated with the ® symbol are registered with the U.S. Patent and Trademark Office and may be proprietary in one or more countries or regions. Other trademarks and service marks belonging to Martin Engineering Company in the United States and/or other countries or regions may be designated with the “TM” and “SM” symbols. Brands, trademarks, and names of other parties, who may or may not be affiliated with, connected to, or endorsed by Martin Engineering Company, are identified wherever possible. Additional information regarding Martin Engineering Company’s intellectual property can be obtained at [www.martin-eng.com/trademarks](http://www.martin-eng.com/trademarks).*

# **Problem Solved™** ***GUARANTEED!***



*For nearly 20 years, Martin Engineering's Foundations™ Books have taught industry personnel to operate and maintain clean and safe belt conveyors. The Foundations™ Book, fourth edition, focuses on improving belt conveyors by controlling fugitive material. "The Practical Resource for Total Dust and Material Control," is a 576-page hard cover volume that provides information of value to industries where the efficient handling of bulk materials is a key to productivity and profitability.*

*Expanding upon the book, our Foundations™ Training Program addresses the design and development of more productive belt conveyors, and is offered in three customizable seminars. Attendees gain a better understanding of conveyor safety and performance, helping to justify upgrade investments and increase profitability.*



## **Martin Engineering USA**

One Martin Place  
Neponset, IL 61345-9766 USA  
800 544 2947 or 309 852 2384  
Fax 800 814 1553  
[www.martin-eng.com](http://www.martin-eng.com)

**COMPANY WITH  
QUALITY SYSTEM  
CERTIFIED BY DNV  
= ISO 9001:2008 =**