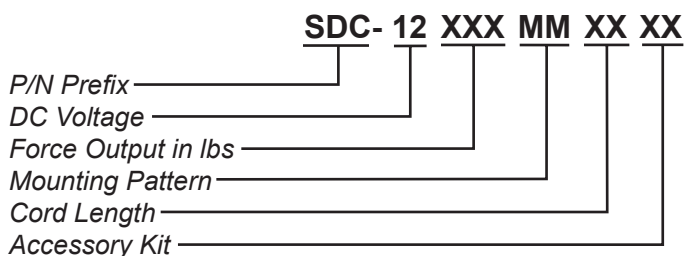


Cougar® SDC Small Truck Vibrators



NOMENCLATURE



DC VOLTAGE

12: 12 volts

FORCE OUTPUT IN LBS

040: 40 lbs

100: 100 lbs

200: 200 lbs

MOUNTING BOLT PATTERN

MM: 2" x 4"

CORD LENGTH

10: 10"

42: 42"

ACCESSORY KIT

A0: Without Accessory Kit

03: With Accessory Kit

(control kit, mounting plate and hardware)

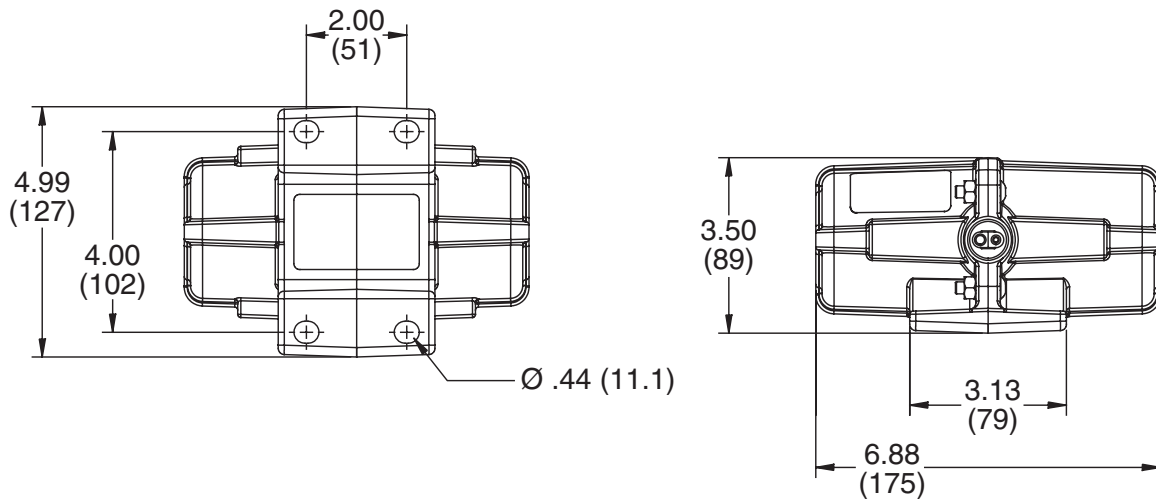
FEATURES

- Available with either 40, 100, or 200 pounds of vibratory force to improve the unloading of wet, sticky, fibrous or even frozen material.
- Small, lightweight units require minimal space.
- Weather-proof aluminum housing provides high output to weight ratio.
- Sealed ball bearings are permanently lubricated.

Specify Cougar for:

- Cost effective solutions
- Expert technical assistance
- Complete service and support

TECHNICAL DATA SHEET



PERFORMANCE DATA

Model	P/N	VOLT	AMP	MAX FORCE
DC40	SDC12-040-MM-10-A0	12	5	40
DC100	SDC12-100-MM-10-A0	12	5	100
DC200	SDC12-200-MM-10-A0	12	5	200



Martin Engineering USA
 One Martin Place
 Neponset, IL 61345-9766 USA
 800 544 2947 or 309 852 2384
 Fax 800 814 1553
www.martin-eng.com

COMPANY WITH
 QUALITY SYSTEM
 CERTIFIED BY DNV
 = ISO 9001:2008 =

COUGAR
 VIBRATION SOLUTIONS

Problem Solved™ GUARANTEED!

Form No. L4070-02/17
 © Martin Engineering Company 2017