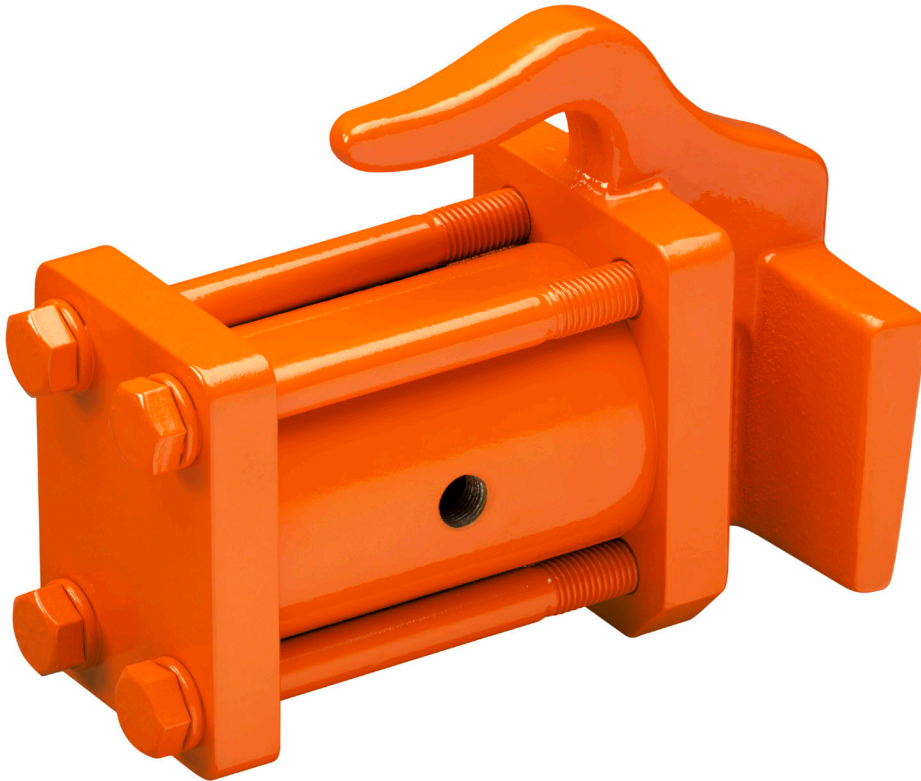


# Martin® 4432 Railcar Vibrator



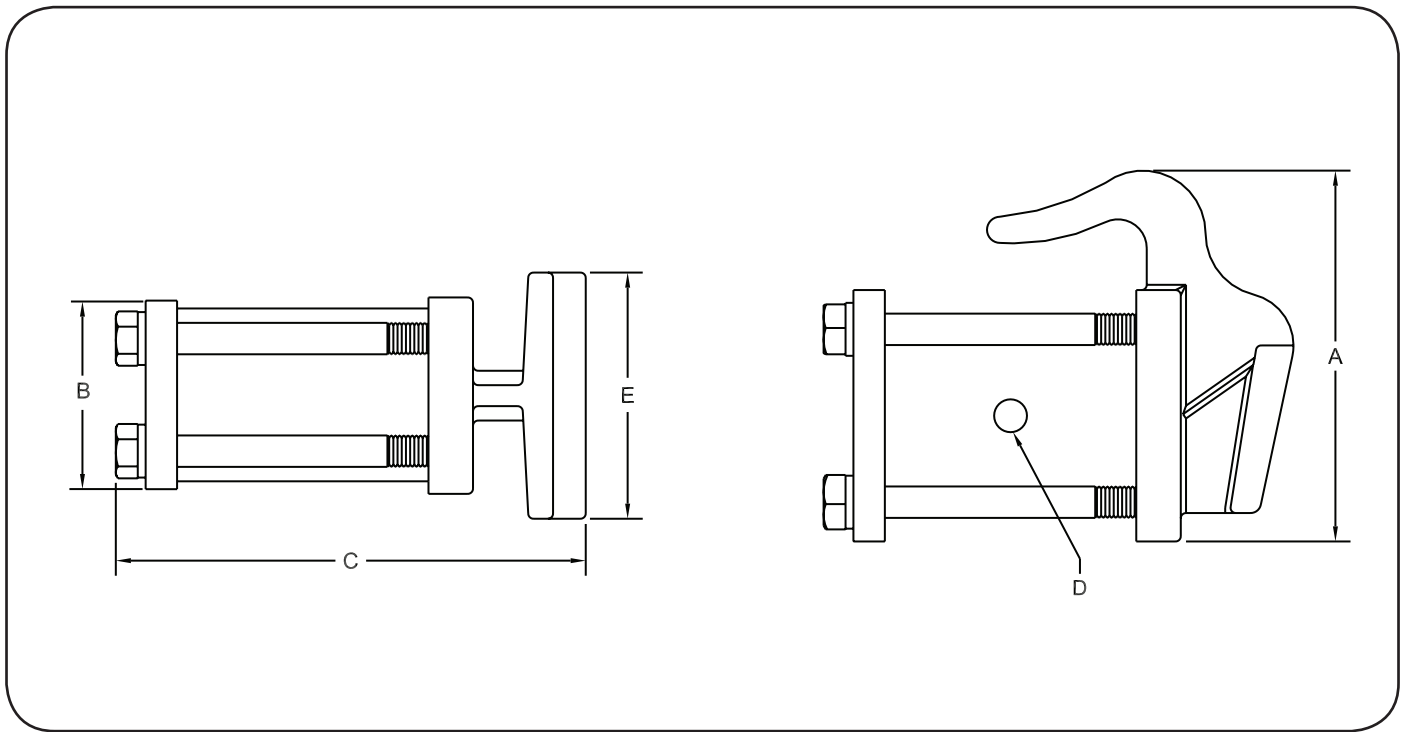
## FEATURES

- Hardened pistons
- Low air consumption
- Produces uniform directional force

## Specify Martin Engineering for:

- Cost effective solutions
- Expert technical assistance
- Complete service and support

# TECHNICAL DATA SHEET



## DIMENSIONS (inch)

Model	Piston Size In.	A	B	C	Port NPT	E	Weight lbs
					D		
4432	4	8.875	5.5	14.375	1/2	5.875	69.250

## PERFORMANCE DATA

Model	Piston Size In.	40 PSI		60 PSI		MAX 80 PSI	
		VPM	CFM	VPM	CFM	VPM	CFM
4432	4	1200	19.1	1700	31.8	1900	40.3

## ACCESSORIES

Description	Part Number
Female Wedge Bracket (LBF)	12735
Control Line Kit	39504
Air Motor Oil (qt)	14766



**Martin Engineering USA**  
 3600 Cougar Drive  
 Peru, IL 61354 USA  
 855 394 4885  
 Fax 800 814 1553  
 www.martin-eng.com

COMPANY WITH  
 QUALITY SYSTEM  
 CERTIFIED BY DNV  
 = ISO 9001:2008 =

**Problem Solved™ GUARANTEED!**

Form No. L3849-02/18  
 © Martin Engineering Company 2012, 2018