

Boot-Lift® Railcar Connector

Plant Name: _____
 Address: _____
 City: _____
 State: _____ Zip Code: _____

Contact Person: _____
 Telephone: _____ Fax: _____
 Email: _____
 Date: _____

Material Conditions

Type of Material: _____

Equipment needs to be Food-Grade: Yes No

Aligner (moves Boot-Lift® 3-4" either direction parallel to rails): Pneumatic Manual None

Vibration needed to aid the flow of material: Yes No

Railcar Gate Opener needed to assist with gate opening: Yes No

Railcar Adapter Sheet—Single Gate

Adapter Sheet: Yes No

Adapter Sheet Material: Plywood HDPE (High Density Polyethylene)

Foam Seal: Standard Cover White Hypalon Wrapped (FDA)

Railcar Information

Type of Railcar: Single Gate Double Gate Round Gate (15 in. I.D. only)

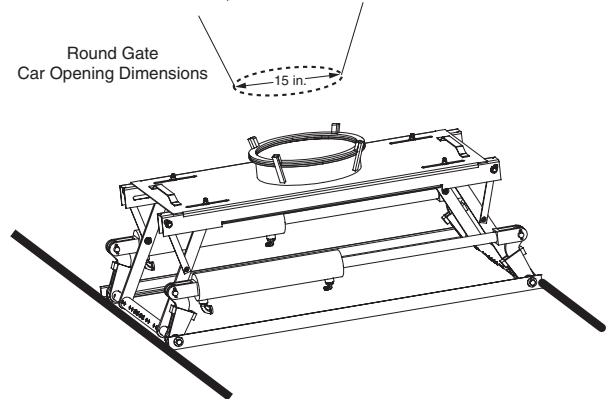
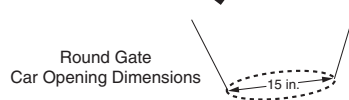
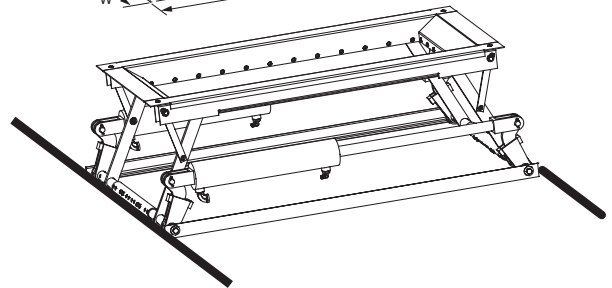
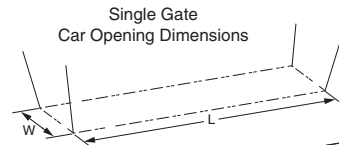
Inner dimensions of gate openings:

Single Gate: Length (L) _____ x Width (W) _____

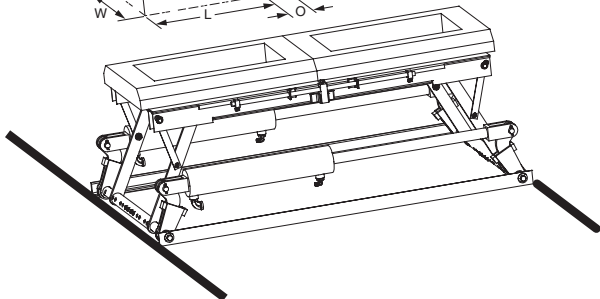
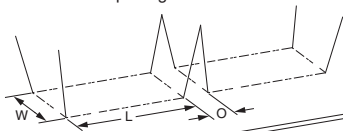
Double Gate: Length (L) _____ x Width (W) _____

Distance between openings (O) _____

Round Gate: Diameter = 15 in. I.D.



Double Gate Car Opening Dimensions



APPLICATION DATA SHEET

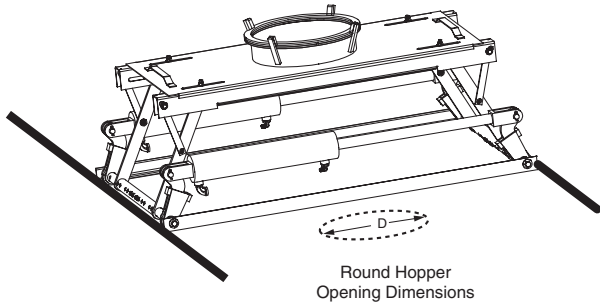
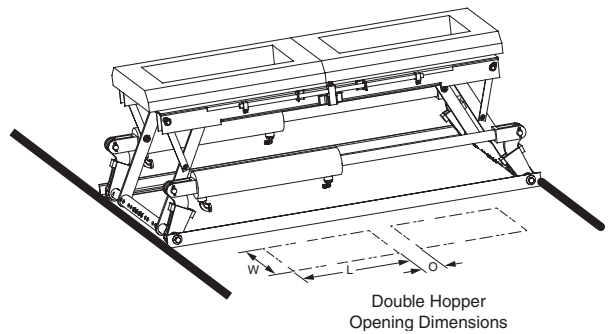
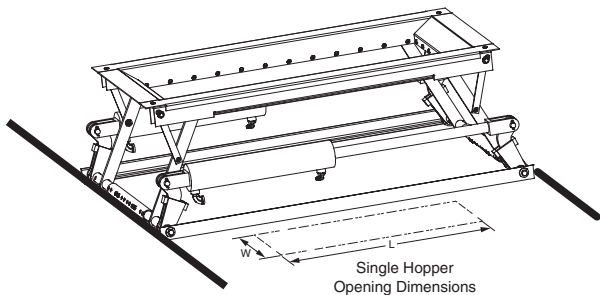
Receiving Hopper Information

Boot-Lift® Railcar Connector Model: SBLR-18 (P/N 21055) SBL-24 (P/N 19760)
 SBL-30 (P/N 35038) DBL-18 (P/N 17840)

Boot Material: Black Vinyl Food Grade Flame Retardant

For new installations or modifications, Martin Engineering strongly recommends dimension H be a 3 in. minimum.

Single openings	Length (L) _____ x Width (W) _____ Bottom of rail to top of hopper (H) _____	
Double openings	Length (L) _____ x Width (W) _____ Distance between openings (O) _____ Bottom of rail to top of hopper (H) _____	
Round openings	Diameter (D) _____ Bottom of rail to top of hopper (H) _____	



Martin Engineering USA
 One Martin Place
 Neponset, IL 61345-9766 USA
 800 544 2947 or 309 852 2384
 Fax 800 814 1553
 www.martin-eng.com

To submit the completed form please
 fax to 309-594-2432
 Attention: Flow-Aids Technical Support
 or click here to email
railcar@martin-eng.com

**COMPANY WITH
 QUALITY SYSTEM
 CERTIFIED BY DNV
 = ISO 9001:2008 =**

Problem Solved™ GUARANTEED!

Form No. L3729-01/17
 © Martin Engineering Company 2007, 2017