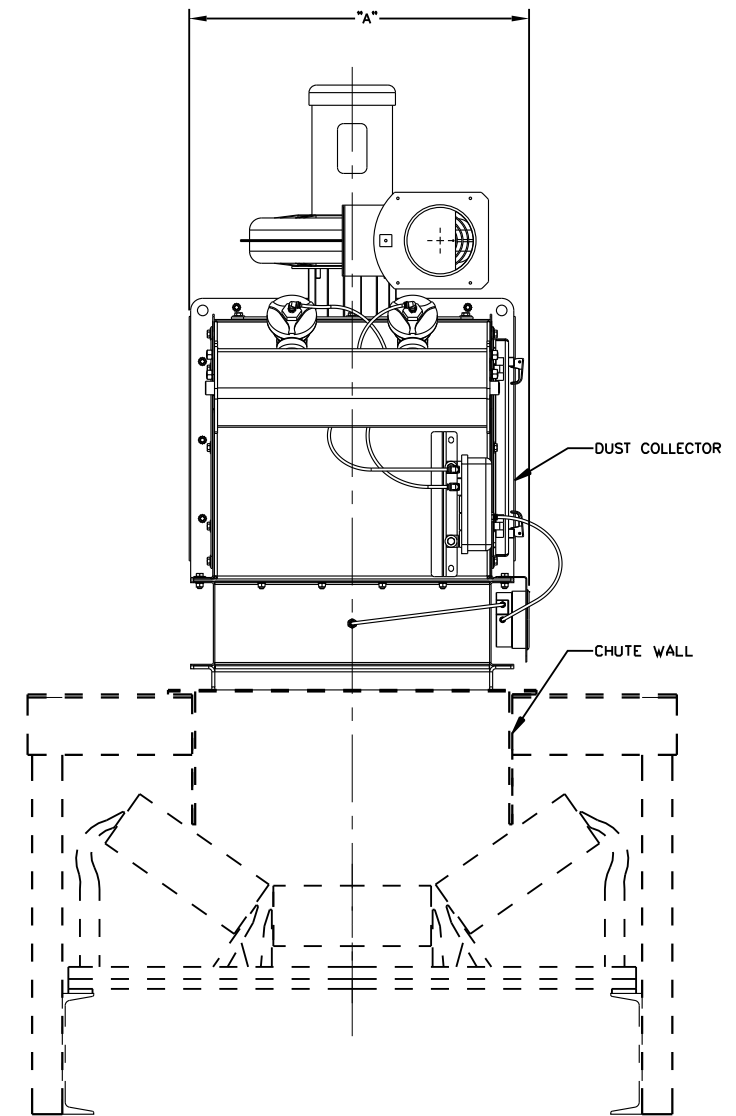
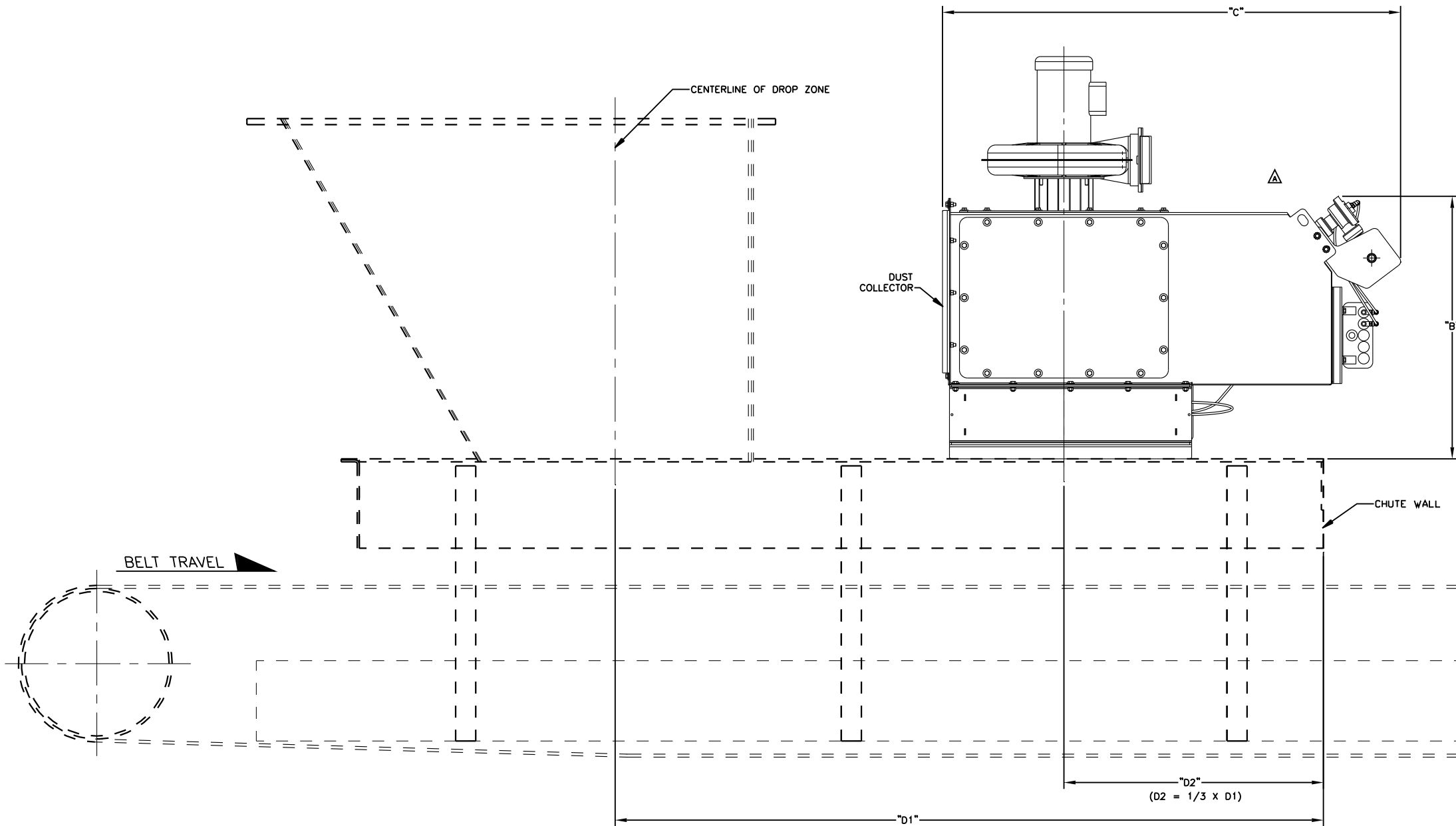


AIR FLOW (CFM)	DIM "A"	DIM "B"	DIM "C"
0-1000	28.2 [715]	32.7 [830]	57.1 [1448]
1000-1500	38.2 [969]	32.7 [830]	57.1 [1448]
1500-2000	28.2 [715]	32.7 [830]	112.3 [2852]
2000-3000	38.2 [969]	32.7 [830]	112.3 [2852]



- NOTES:
- 1) ALL DIMENSIONS ARE GIVEN IN INCHES [MM] AND ARE FOR REFERENCE ONLY.
 - 2) THIS ARRANGEMENT IS TYPICAL FOR MOST TRANSFER POINTS. YOUR ARRANGEMENT WILL LOOK DIFFERENT.
 - 3) REFER TO TECHNICAL DATA SHEET L3789 FOR SPECIFICATIONS AND DIMENSIONS.

© Copyright 2010 Martin Engineering. All rights reserved. Covered by U.S. and foreign patents pending and issued. ® and TM indicate trademarks of Martin Engineering.

MARTIN ENGINEERING
NEPONSET ILLINOIS USA

TITLE	DUST COLLECTOR ASSEMBLY	DRAWN RND	DATE 05/19/10
CHECKED		ENG. <i>[Signature]</i>	DATE 05/25/10
APPROVED <i>[Signature]</i>		SALES DRAWING	DATE 05/24/10
NO. 1		MD0809	S50049-DC
REVISION			SCALE NONE

NO.	DESCRIPTION	ECN	DATE	BY
A	CHGD DUST COLLECTOR TO DFAC-XXXXXXXXX STYLE	13682	07/11/13	RND

