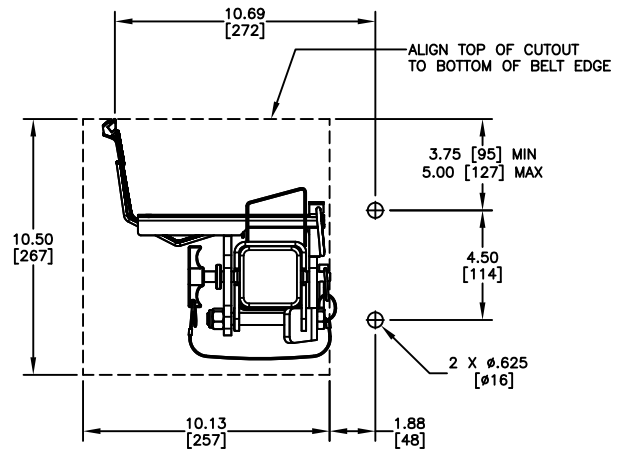


PART NUMBER	BELT WIDTH	DIM "A" FRAME LENGTH	DIM "B" BLADE WIDTH
C2C2S1802XXXX	18.00	400-500	54.00 [1372]
C2C2S1803XXXX	18.00	400-500	54.00 [1372]
C2C2S2403XXXX	24.00	500-650	60.00 [1524]
C2C2S2404XXXX	24.00	500-650	60.00 [1524]
C2C2S3004XXXX	30.00	650-800	66.00 [1676]
C2C2S3005XXXX	30.00	650-800	66.00 [1676]
C2C2S3605XXXX	36.00	800-1000	72.00 [1829]
C2C2S3606XXXX	36.00	800-1000	72.00 [1829]
C2C2S4206XXXX	42.00	1000-1200	78.00 [1981]
C2C2S4207XXXX	42.00	1000-1200	78.00 [1981]
C2C2S4807XXXX	48.00	1200-1400	96.00 [2438]
C2C2S4808XXXX	48.00	1200-1400	96.00 [2438]
C2C2S5408XXXX	54.00	1400-1600	102.00 [2591]
C2C2S5409XXXX	54.00	1400-1600	102.00 [2591]
C2C2S6009XXXX	60.00	1600-1800	108.00 [2743]
C2C2S6010XXXX	60.00	1600-1800	108.00 [2743]
C2C2S6610XXXX	66.00	1600-1800	114.00 [2896]
C2C2S6611XXXX	66.00	1600-1800	114.00 [2896]
C2C2S7211XXXX	72.00	1800-1900	120.00 [3048]
C2C2S7212XXXX	72.00	1800-1900	120.00 [3048]
C2C2S7812XXXX	78.00	1900-2000	126.00 [3200]
C2C2S7813XXXX	78.00	1900-2000	126.00 [3200]
C2C2S8413XXXX	84.00	2000-2100	132.00 [3353]
C2C2S8414XXXX	84.00	2000-2100	132.00 [3353]
C2C2S9014XXXX	90.00	2100-2200	138.00 [3505]
C2C2S9015XXXX	90.00	2100-2200	138.00 [3505]
C2C2S9615XXXX	96.00	2200-2400	144.00 [3658]
C2C2S9616XXXX	96.00	2200-2400	144.00 [3658]

PART NUMBER	BELT WIDTH	DIM "A" FRAME LENGTH
C2C2S1802XXXX	18.00	400-500
C2C2S1803XXXX	18.00	400-500
C2C2S2403XXXX	24.00	500-650
C2C2S2404XXXX	24.00	500-650
C2C2S3004XXXX	30.00	650-800
C2C2S3005XXXX	30.00	650-800
C2C2S3605XXXX	36.00	800-1000
C2C2S3606XXXX	36.00	800-1000
C2C2S4206XXXX	42.00	1000-1200
C2C2S4207XXXX	42.00	1000-1200
C2C2S4807XXXX	48.00	1200-1400
C2C2S4808XXXX	48.00	1200-1400
C2C2S5408XXXX	54.00	1400-1600
C2C2S5409XXXX	54.00	1400-1600
C2C2S6009XXXX	60.00	1600-1800
C2C2S6010XXXX	60.00	1600-1800
C2C2S6610XXXX	66.00	1600-1800
C2C2S6611XXXX	66.00	1600-1800
C2C2S7211XXXX	72.00	1800-1900
C2C2S7212XXXX	72.00	1800-1900
C2C2S7812XXXX	78.00	1900-2000
C2C2S7813XXXX	78.00	1900-2000
C2C2S8413XXXX	84.00	2000-2100
C2C2S8414XXXX	84.00	2000-2100
C2C2S9014XXXX	90.00	2100-2200
C2C2S9015XXXX	90.00	2100-2200
C2C2S9615XXXX	96.00	2200-2400
C2C2S9616XXXX	96.00	2200-2400

BLADE CHART	
PART NUMBER	BLADE MATERIAL
C2C2SXXXX1XXX	TUNGSTEN CARBIDE

ITEM	QTY.	DESCRIPTION	PART NUMBER
1	1	STS CLEANSRAPE SECONDARY ASM	SEE CHART
2	1	SQUARE MAINFRAME TENSIONER ASM	SEE CHART
3	1	SAFE TO SERVICE TENSIONER OFFSET MOUNT KIT	38975

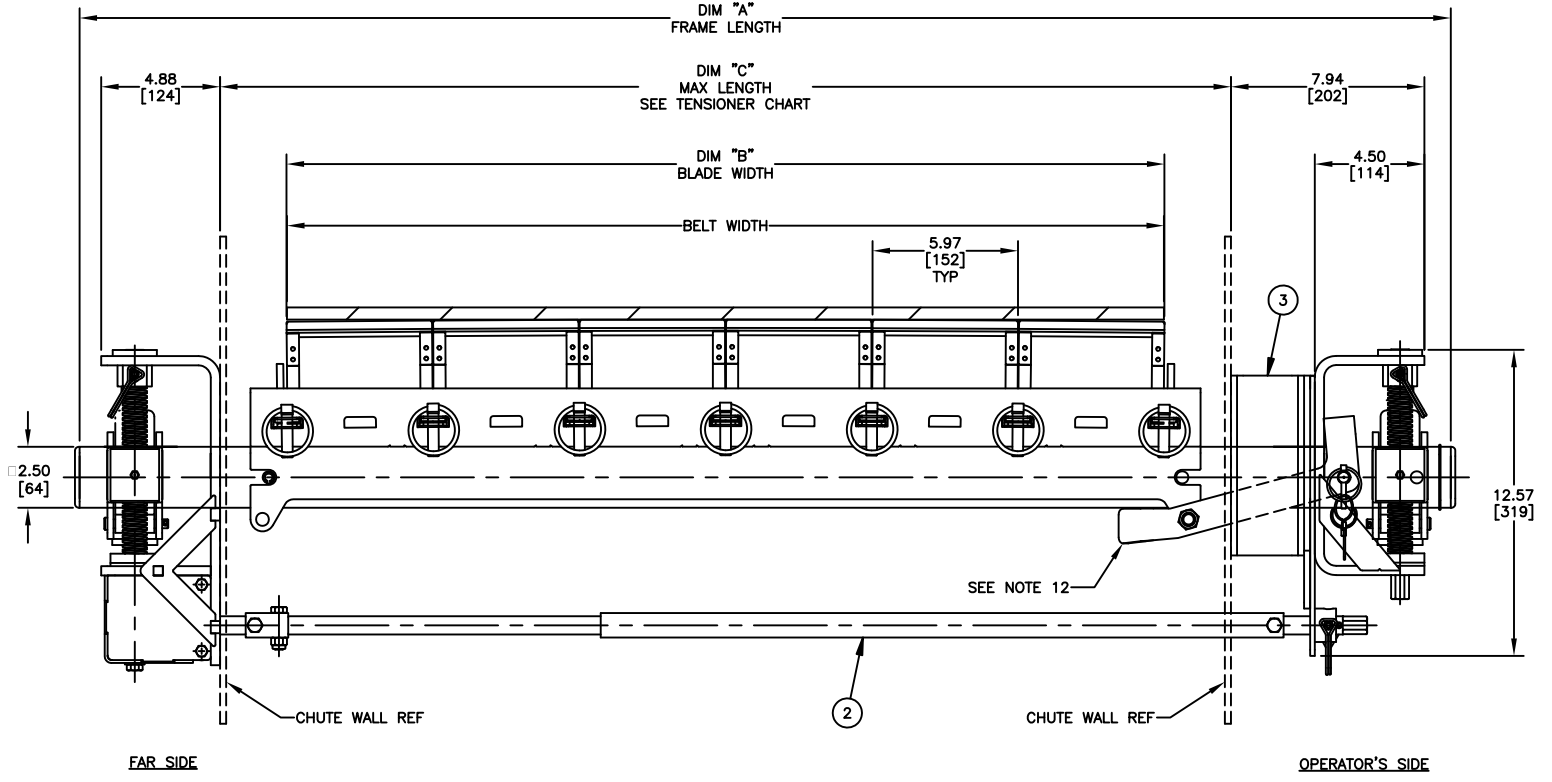
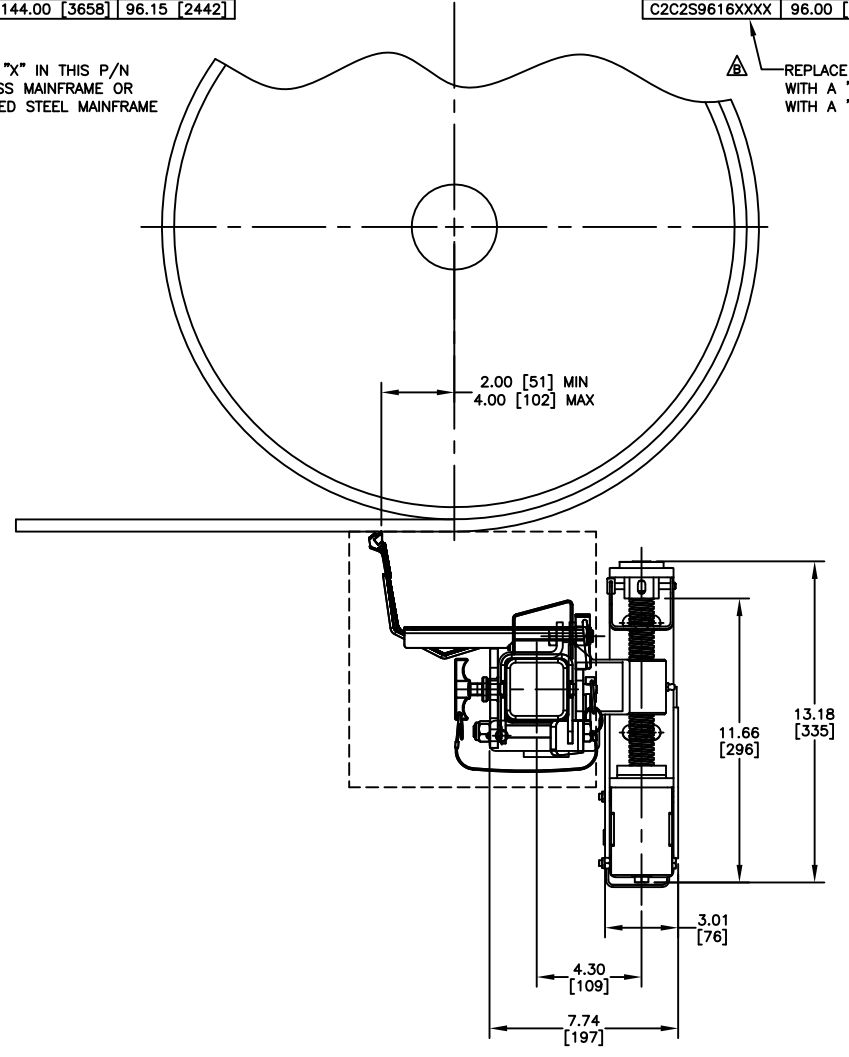


TENSIONER CHART			
BELT WIDTH	P/N ITEM 2	P/N ITEM 2	DIM "C" MAX WIDTH
S18-S30	38664-D01XX	38664-XX	56.00 [1422]
S36-S54	38664-D02XX	38664-XX	80.00 [2032]
S60-S90	38664-D03XX	38664-XX	116.00 [2946]
S96	38664-D04XX	38664-XX	140.00 [3556]

REPLACE THE "XX" IN THIS PART NUMBER WITH A "SS" FOR STAINLESS STEEL TENSIONER OR LEAVE BLANK FOR PAINTED STEEL TENSIONER

REPLACE THE SECOND "X" IN THIS P/N WITH A "S" FOR 304 SS MAINFRAME OR WITH A "P" FOR PAINTED STEEL MAINFRAME

REPLACE THE SECOND "X" IN THIS P/N WITH A "E" FOR EXTENDED 304 SS MAINFRAME OR WITH A "Z" FOR EXTENDED PAINTED STEEL MAINFRAME



- NOTES:
- ALL DIMENSIONS ARE GIVEN IN INCHES [MM].
 - ALL DIMENSIONS ARE FOR REFERENCE ONLY.
 - FOR EASE OF ACCESSIBILITY AND MAINTENANCE MARTIN ENGINEERING RECOMMENDS BOLTING CLEANER TO EXISTING STRUCTURE WHEN APPLICABLE.
 - DUE TO STRUCTURAL TOLERANCES IN THE FIELD, DIMENSIONS AND LOCATIONS MAY VARY.
 - WHERE EXTREME AND UNUSUAL CONDITIONS EXIST, OR SPECIAL MAINFRAME LENGTHS ARE REQUIRED, CONTACT MARTIN ENGINEERING.
 - CUSTOMER MAY HAVE TO MODIFY STRUCTURE TO PROPERLY INSTALL CLEANER.
 - REFER TO OPERATOR'S MANUAL (M4128) FOR ADDITIONAL AND OPTIONAL INSTALLATION INSTRUCTIONS.
 - MARTIN ENGINEERING RECOMMENDS POSITIONING OF AN IDLER FOR PROPER BACKING SUPPORT OF THE BLADE IF NOT LOCATED ON THE HEAD PULLEY.
 - MAINFRAME IS SUPPLIED LONGER THAN REQUIRED, FIELD CUT TO DESIRED LENGTH.
 - LOCATE AND DRILL HOLES FOR TENSIONER BEFORE LOCATING ACCESS WINDOW.

- NOTES (CONT'D):
- 11) IN THE "C2C" PART NUMBER:
 THE 2 INDICATES SAFE TO SERVICE TYPE MAINFRAME.
 THE SXX INDICATES THE BELT WIDTH IN STANDARD INCH UNITS.
 THE NEXT XX INDICATES THE NUMBER OF BLADES.
 THE NEXT X INDICATES BLADE TUNGSTEN TYPE:
 1 = TUNGSTEN CARBIDE
- THE NEXT X INDICATES THE MAINFRAME TYPE:
 E = EXTENDED STAINLESS STEEL
 S = STAINLESS STEEL
 P = PAINTED STEEL
 Z = EXTENDED PAINTED STEEL
- THE NEXT X INDICATES THE TENSIONER OPTIONS:
 0 = NO TENSIONER
 S = STAINLESS STEEL FAR SIDE
 T = STEEL FAR SIDE
 P = PAINTED STEEL STD
 Z = STAINLESS STEEL STD
- 12) LONGER HANDLE (P/N C2CP10021LX) IS SHIPPED LOOSE WITH ASSEMBLY FOR FIELD USE WITH WIDE BASE STRINGER APPLICATIONS.

Copyright 2019 Martin Engineering. All rights reserved. Covered by U.S. and foreign patents pending and issued. ® and TM indicate trademarks of Martin Engineering.

MARTIN ENGINEERING
NEPONSET, IL USA

TITLE	SAFE TO SERVICE MARTIN CLEANSRAPE SECONDARY BELT CLEANER	DRAWN	JAH	DATE	06/13/19
NO.	DESCRIPTION	ECN	DATE	BY	CHECKED
B	ADDED PAINTED STEEL MAINFRAME & TENSIONER OPTIONS TO CHARTS & NOTE: P = PAINTED STEEL, Z = EXTENDED PAINTED, T = STEEL, P = PAINTED STEEL STD & Z = SS STD (PR13975)	----	03/31/20	JAH	ENG. JAH
A	ADDED EXTENDED LENGTH MAINFRAME OPTION	15476	10/21/19	JAH	DATE 06/17/19
NO.	DESCRIPTION	ECN	DATE	BY	APPROVED JAH
PR13908	REVISION				DATE 06/18/19
SALES DRAWING					SCALE 1/4