

# Martin® Hazardous Location Electric Vibrators B-Series

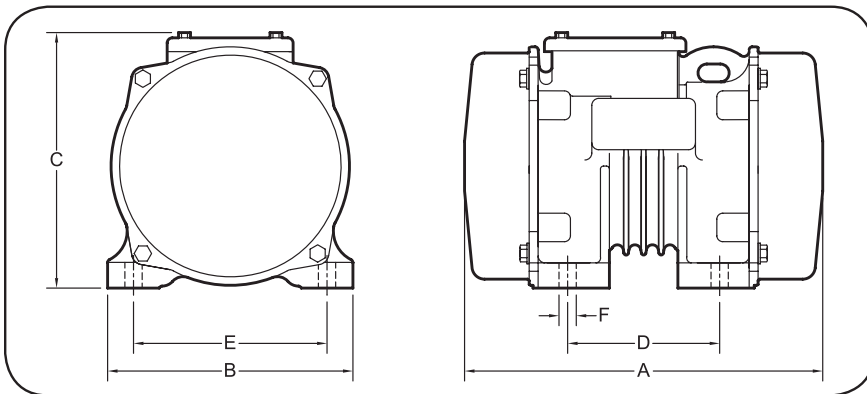


## FEATURES

- UL Listed for Class II Group E, F & G, Division 1 & 2
- 1000 Force lb – 1750 RPM
- 230 volt/ 460 volt – 3 Phase
- Ductile Iron Bearing Housings
- High Temperature Class H Windings

## Specify Martin for:

- Cost effective solutions
- Expert technical assistance
- Complete service and support



## DIMENSIONS—inch (mm)

Part Number	Model	A	B	C	Bolt Pattern		Foot Holes		Weight lbs (kg)
					D	E	F	No.	
206029-21	B3X-1000-1A-4	11.85 (301)	7.70 (195.5)	8.36 (212.4)	4.13 (104.9)	5.51 (140)	0.56 (14.3)	4	48.5 (22)
					5.00 (127)	6.00 (152.4)			

## PERFORMANCE DATA

Unbalance In-Lbs.	Centrifugal Force lbs (kg)	Power Output hp (kW in)	Amps	
			230V	460V
11.5	1000 (454)	0.33 (0.29)	2.30	1.15

## ACCESSORIES

Part Number	Description
32401-20	W-Beam Mount with Safety Cable Assembly
220555	Mount Plate Only (drilled and tapped)

Part Number	Description
32271	Safety Cable Assembly
38902-20	Adj. On/Off Timer 115/1/60 NEMA 4 Enclosure



**Martin Engineering USA**  
 3600 Cougar Drive  
 Peru, IL 61354 USA  
 855 394 4885  
 Fax 800 814 1553  
 www.martin-eng.com

**COMPANY WITH  
 QUALITY SYSTEM  
 CERTIFIED BY DNV  
 = ISO 9001:2008 =**