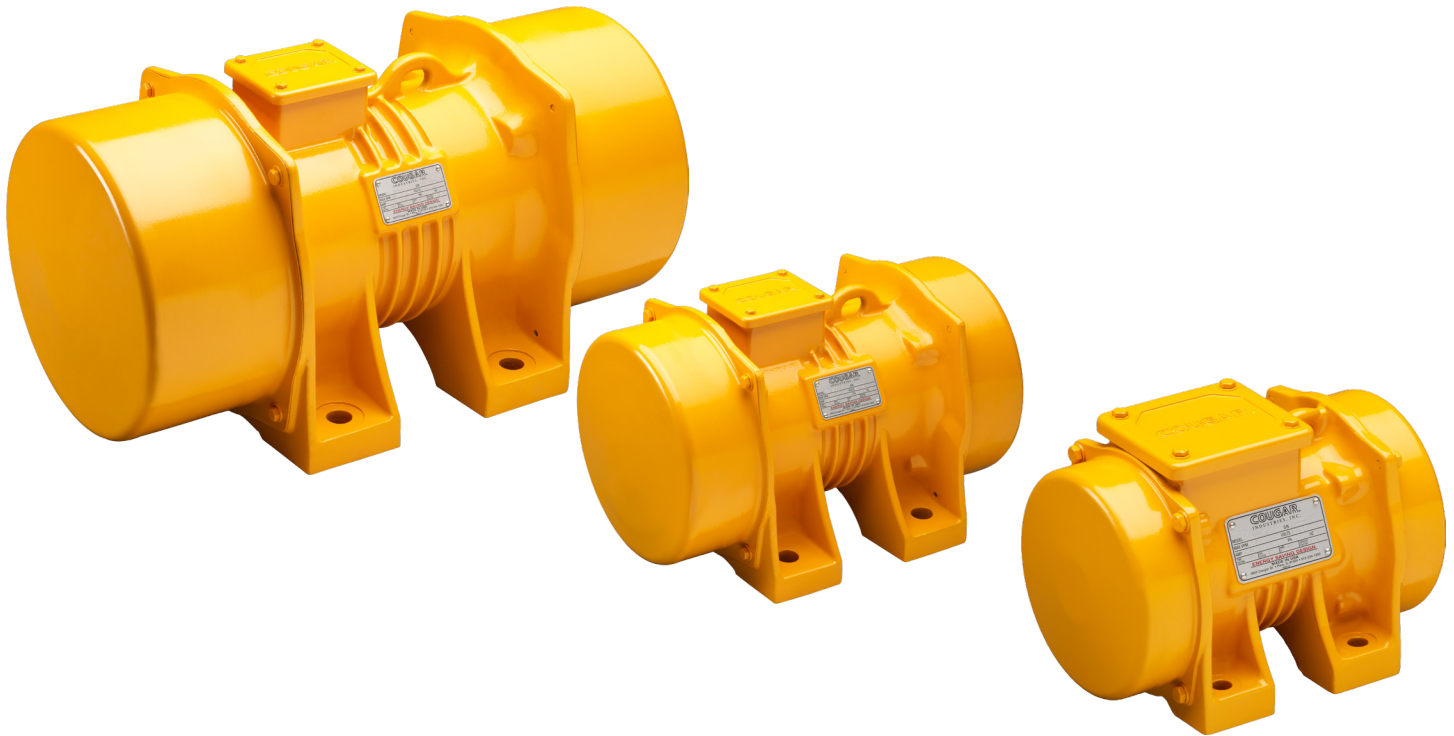


Cougar® Heavy Duty Electric Vibrators B-Series



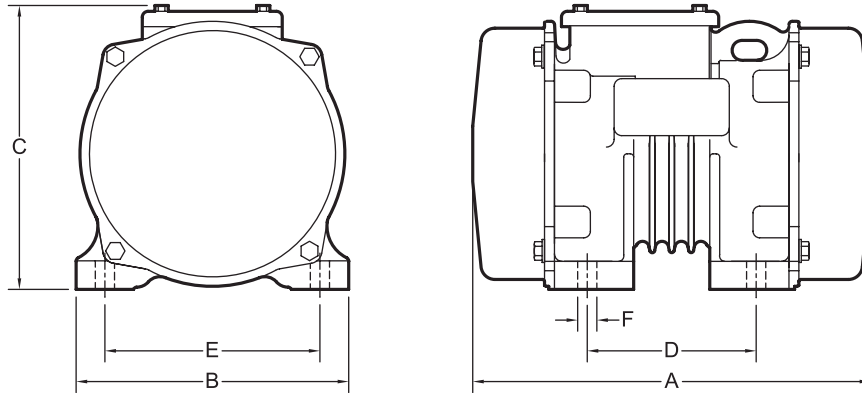
FEATURES

- 50 Hz / 60 Hz with full voltage ranges
- Speed range 3450, 1750, 1170, 850 RPM
- Centrifugal force output up to 16500 lbs
- High-Temperature Class Insulation
- TENV vibrators ensure long life
- Water tight / dust tight
- Continuous Duty

Specify Cougar for:

- Cost effective solutions
- Expert technical assistance
- Complete service and support

TECHNICAL DATA SHEET



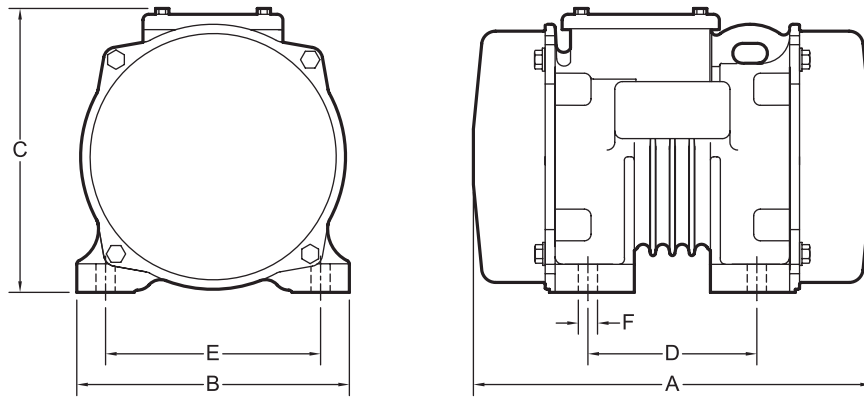
DIMENSIONS (inch)

Model	A	B	C	Bolt Pattern		Bolt Size	Weight (lbs)
				D	E	F	
B1-380-0A-2	8.625	4.938	5.313	2 ³ / ₈ - 2 ¹⁵ / ₁₆	4 ³ / ₁₆	⁵ / ₁₆	12.375
B1-1000-1A-2	11.625	7.750	8.375	5	6	¹ / ₂	43.000
B1-1680-2A-2	13.000	8.938	8.313	4.72	6.69	⁵ / ₈	54.000
B1-2500-2A-2	13.000	8.938	8.375	5 ¹ / ₂	7	⁵ / ₈	55.000
B1-550-1A-4	11.625	7.750	8.313	5	6	¹ / ₂	44.000
B1-1000-1A-4	11.625	7.750	8.313	5	6	¹ / ₂	47.000
B1-2300-2A-4	14.750	8.938	9.313	5 ¹ / ₂	7	⁵ / ₈	70.000
B1-500-2A-6	13.000	8.938	9.313	5 ¹ / ₂	7	⁵ / ₈	60.000

PERFORMANCE DATA

Model	In Lbs	RPM	Force Lbs	Amps		HP
				115 Volt	230 Volt	
B1-380-0A-2	1.00	3600	380	1.30	--	¹ / ₂₅
B1-1000-1A-2	3.00	3450	1000	5.10	2.60	¹ / ₃
B1-1680-2A-2	4.97	3450	1680	12.00	6.00	³ / ₄
B1-2500-2A-2	7.40	3450	2500	12.00	6.00	³ / ₄
B1-550-1A-4	6.30	1750	550	5.50	2.50	¹ / ₄
B1-1000-1A-4	11.50	1750	1000	7.50	3.80	¹ / ₃
B1-2300-2A-4	26.50	1750	2300	12.00	6.00	³ / ₄
B1-500-2A-6	12.90	1170	500	7.50	3.80	¹ / ₄

TECHNICAL DATA SHEET



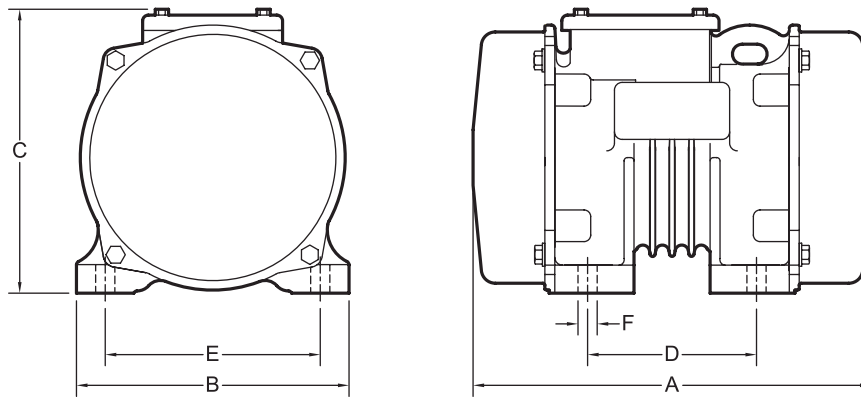
DIMENSIONS (inch)

Model	A	B	C	Bolt Pattern		Bolt Size	Weight lbs
				D	E	F	
B3-380-0A-2	8.625	4.938	5.313	2 ³ / ₈ – 2 ¹⁵ / ₁₆	4 ³ / ₁₆	⁵ / ₁₆	12.375
B3-1000-1A-2	11.625	7.750	8.313	5	6	¹ / ₂	39
B3-1680-2A-2	13.000	8.938	9.313	4.72	6.69	⁵ / ₈	53
B3-2500-2A-2	13.000	8.938	9.313	5 ¹ / ₂	7	⁵ / ₈	54
B3-3500-2A-2	13.000	8.938	9.313	5 ¹ / ₂	7	⁵ / ₈	57
B3-5000-3-2	16.250	10.750	11.000	6	8	³ / ₄	127
B3-6600-3-2	16.250	10.750	11.000	6	8	³ / ₄	129
B3-6600-4-2	20.375	13.375	13.125	8	10	1	254
B3-8800-4-2	20.375	13.375	13.125	8	10	1	274
B3-11000-5-2	24.000	14.813	15.313	9	12	1	350

PERFORMANCE DATA

Model	In. Lbs.	RPM	Force Lbs.	Amps			HP
				230 Volt	460 Volt	575 Volt	
B3-380-0A-2	1.00	3600	380	0.40	0.20	—	¹ / ₂₅
B3-1000-1A-2	3.00	3450	1000	1.40	0.70	0.40	¹ / ₃
B3-1680-2A-2	4.97	3450	1680	2.80	1.40	—	³ / ₄
B3-2500-2A-2	7.40	3450	2500	2.80	1.40	—	³ / ₄
B3-3500-2A-2	10.40	3450	3500	2.80	1.40	—	1
B3-5000-3-2	14.80	3450	5000	8.40	4.20	—	3
B3-6600-3-2	19.50	3450	6600	8.40	4.20	—	3
B3-6600-4-2	19.50	3450	6600	5.00	2.50	—	2
B3-8800-4-2	26.00	3450	8800	11.60	5.80	—	5
B3-11000-5-2	32.50	3450	11000	11.60	5.80	4.60	5

TECHNICAL DATA SHEET



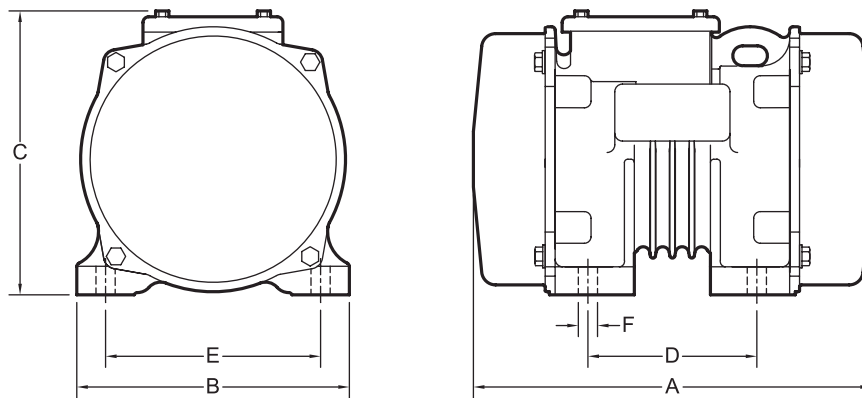
DIMENSIONS (inch)

Model	A	B	C	Bolt Pattern		Bolt Size	Weight lbs
				D	E	F	
B3-550-1A-4	11.625	7.750	8.313	5	6	½	40
B3-1000-1A-4	11.625	7.750	8.313	5	6	½	44
B3-2300-2A-4	14.750	8.938	9.313	5 ½	7	¾	68
B3-3000-3-4	16.250	10.750	11.000	6	8	¾	128
B3-4000-3-4	16.250	10.750	11.000	6	8	¾	141
B3-5500-3-4	16.250	10.750	11.000	6	8	¾	149
B3-7700-4-4	20.375	13.375	13.125	8	10	1	236
B3-10000-4-4	20.375	13.375	13.125	8	10	1	266
B3-12300-4-4	20.375	13.375	13.125	8	10	1	278
B3-16500-5-4	24.000	14.813	15.313	9	12	1	442

PERFORMANCE DATA

Model	In. Lbs.	RPM	Force Lbs.	Amps			HP
				230 Volt	460 Volt	575 Volt	
B3-550-1A-4	6.30	1750	550	2.30	1.20	0.70	½
B3-1000-1A-4	11.50	1750	1000	2.30	1.20	0.70	½
B3-2300-2A-4	26.50	1750	2300	2.40	1.20	1.20	¾
B3-3000-3-4	34.50	1750	3000	3.00	1.50	—	1
B3-4000-3-4	46.00	1750	4000	4.20	2.10	—	1 ½
B3-5500-3-4	63.20	1750	5500	4.20	2.10	—	1 ½
B3-7700-4-4	88.50	1750	7700	8.20	4.10	—	3
B3-10000-4-4	115.00	1750	10000	12.20	6.10	—	5
B3-12300-4-4	141.30	1750	12300	12.20	6.10	—	5
B3-16500-5-4	189.70	1750	16500	20.00	10.00	—	7 ½

TECHNICAL DATA SHEET



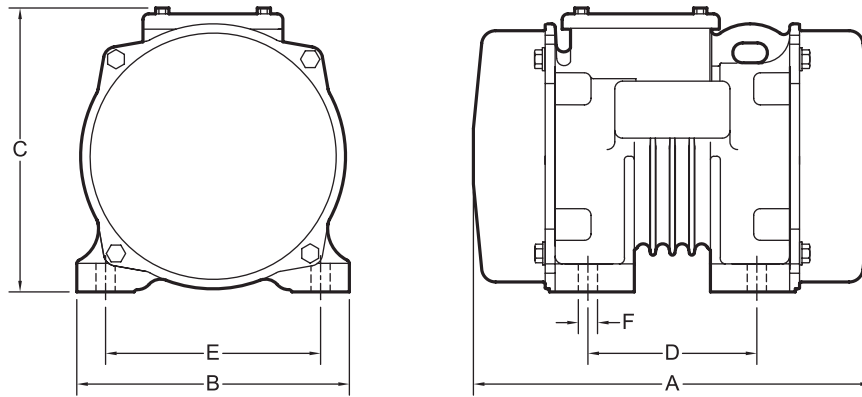
DIMENSIONS (inch)

Model	A	B	C	Bolt Pattern		Bolt Size	Weight lbs
				D	E	F	
B3-500-2A-6	13.00	8.938	9.313	5 ½	7	5/8	57
B3-1000-2A-6	14.750	8.938	9.313	5 ½	7	5/8	66
B3-2400-3-6	16.250	10.750	11.000	6	8	¾	141
B3-3100-3-6	19.375	10.750	11.000	6	8	¾	170
B3-4000-4-6	20.375	13.375	13.125	8	10	1	253
B3-5500-4-6	20.375	13.375	13.125	8	10	1	273
B3-7100-4-6	21.938	13.375	13.125	8	10	1	292
B3-10000-5-6	24.000	14.813	15.313	9	12	1	350
B3-15000-5-6	28.313	14.813	15.313	9	12	1	534
B3-17600-5-6	33.250	15.500	15.750	4 ¾	11	1	611

PERFORMANCE DATA

Model	In. Lbs.	RPM	Force Lbs.	Amps			HP
				230 Volt	460 Volt	575 Volt	
B3-500-2A-6	12.90	1170	500	1.40	0.70	—	¼
B3-1000-2A-6	25.70	1170	1000	2.60	1.30	—	½
B3-2400-3-6	61.70	1170	2400	2.60	1.30	—	¾
B3-3100-3-6	79.70	1170	3100	3.40	1.70	1.40	1
B3-4000-4-6	102.20	1170	4000	10.20	5.10	—	3
B3-5500-4-6	141.30	1170	5500	10.20	5.10	3.50	3
B3-7100-4-6	182.80	1170	7100	10.20	5.10	—	3
B3-10000-5-6	257.20	1170	10000	15.40	7.70	—	5
B3-15000-5-6	385.90	1170	15000	26.60	13.30	—	7 ½
B3-17600-5-6	430.50	1170	17606	26.60	13.30	10.60	7 ½

TECHNICAL DATA SHEET



DIMENSIONS (inch)

Model	A	B	C	Bolt Pattern		Bolt Size	Weight lbs
				D	E	F	
B3-500-2A-8	14.750	8.938	9.313	5 ½	7	¾	73
B3-900-2A-8	16.813	8.938	9.313	5 ½	7	¾	86
B3-1650-3-8	19.375	10.750	11.000	6	8	¾	169
B3-2100-4-8	20.375	13.375	13.125	8	10	1	254
B3-2900-4-8	20.375	13.375	13.125	8	10	1	274
B3-3750-4-8	21.938	13.375	13.125	8	10	1	299
B3-5280-5-8	24.000	14.813	15.313	9	12	1	437
B3-7900-5-8	28.313	14.813	15.313	9	12	1	500
B3-10000-5-8	28.313	14.813	15.313	9	12	1	542

PERFORMANCE DATA

Model	In. Lbs.	RPM	Force Lbs.	Amps			HP
				230 Volt	460 Volt	575 Volt	
B3-500-2A-8	26.80	850	550	3.2	1.6	—	½
B3-900-2A-8	43.90	850	900	3.2	1.6	—	½
B3-1650-3-8	80.40	850	1650	3.8	1.9	1.50	¾
B3-2100-4-8	102.90	850	2100	7.8	3.9	—	1
B3-2900-4-8	141.30	850	2900	7.8	3.9	—	1
B3-3750-4-8	182.80	850	3750	8.0	4.0	—	2
B3-5280-5-8	257.20	850	5280	17.8	8.9	—	3
B3-7900-5-8	385.90	850	7900	17.8	8.9	—	3
B3-10000-5-8	487.40	850	10000	18.0	9.0	—	5



Martin Engineering USA
 One Martin Place
 Neponset, IL 61345-9766 USA
 800 544 2947 or 309 852 2384
 Fax 800 814 1553
 www.martin-eng.com

**COMPANY WITH
 QUALITY SYSTEM
 CERTIFIED BY DNV
 = ISO 9001:2008 =**

COUGAR
VIBRATION SOLUTIONS

Problem Solved™ GUARANTEED!

Form No. L3841-02/14
 © Martin Engineering Company 2012, 2014