

# Martin® QC1™ Cleaner HD



The [Martin® QC1™ Cleaner HD](#) allows quick and easy service with “one-pin” replacement of a one-piece blade.

## SPECIFICATIONS

Maximum Belt Speed fpm (m/sec)	Maximum Service Temperature	Pulley Diameter** in. (mm)	Mounting Location in. (mm)	Wear Life* in. (mm)	Wear Volume (per inch of blade) in <sup>3</sup> (cm <sup>3</sup> )
900 (4.6)	160°F (70°C) Continuous 180°F (82°C) Intermittent	18–22 (457–559)	3.5 (89)	4.5 (114)	6.53 (107)

\* Amount of usable blade

\*\* Pulley diameter 23 in. (584 mm) and greater: contact your Martin Engineering representative.

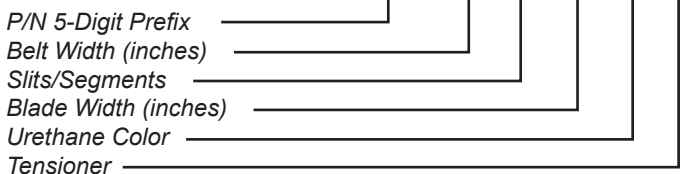
High-performance urethanes are available; see your Martin Engineering representative for assistance in specifying non-standard products. Refer to Form No. L3375.

## RECOMMENDED TENSIONERS & REPLACEMENT BLADES

	Tensioner	P/N	Replacement Blade P/N
Heavy-Duty	Martin® Twist Tensioner	38850	35381-XXXXXXXXXX
Heavy-Duty	Martin® Spring Tensioner	38180	35381-XXXXXXXXXX
Medium	N/A (Medium-Duty Assembly is not available)	N/A	33496-XXXXXX
Standard	N/A (Standard-Duty Assembly is not available)	N/A	PV-XXXXXXXXXX

## NOMENCLATURE

36898 - XX XX XX XX X



## SLITS/SEGMENTS

- 11: No slits or segments
- 10: Segments only
- 01: Slits only
- 00: Slits & Segments

## URETHANE COLOR

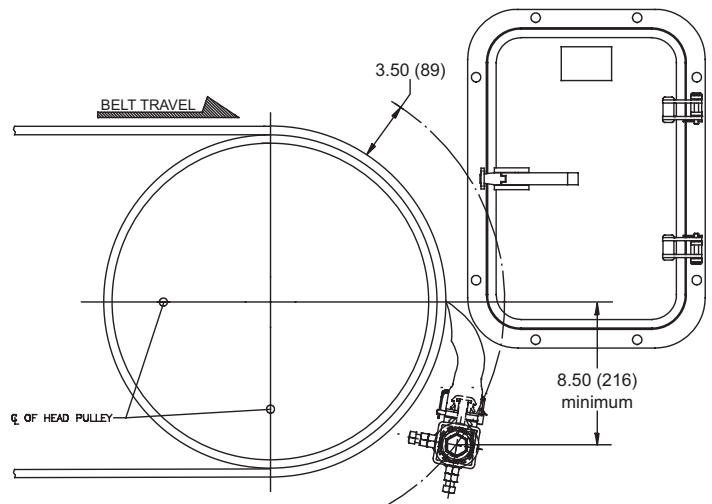
- BR: Brown
- NB: Navy Blue
- GR: Green
- CL: Tan
- Blank: Orange

## TENSIONER

- T: Martin® Twist Tensioner
- S: Martin® Spring Tensioner

Use segmented blade on crowned head pulley.

## MOUNTING LOCATION



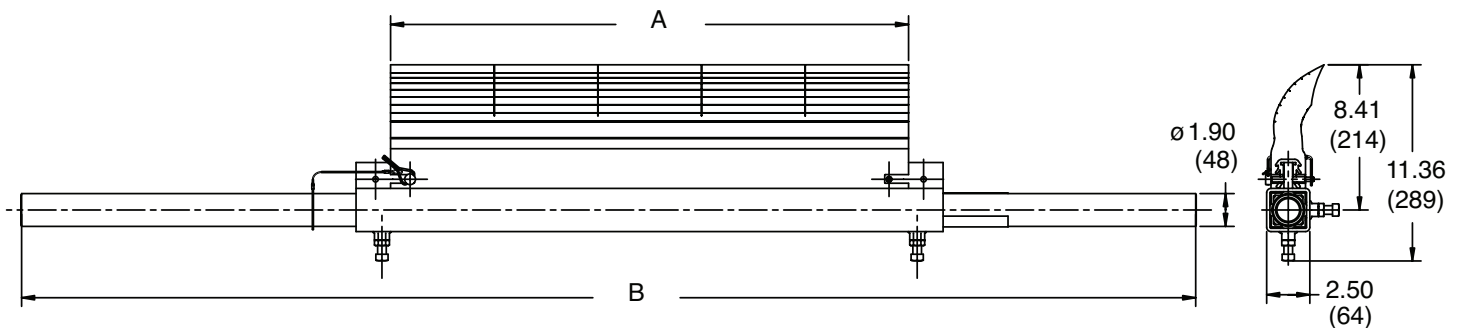
# TECHNICAL DATA SHEET

## DIMENSIONS -- in. (mm)

\* Tensioner not included

Belt Width in. (mm)	Mainframe Length (B) in. (mm)	Belt Coverage (A) Belt Width Less 6" in. (mm)	Shipping Weight* lb. (kg)	Belt Coverage (A) Belt Width Less 2" in. (mm)	Shipping Weight* lb. (kg)
18 (400-500)	44 (1118)	12 (305)	33 (15)	16 (406)	35 (16)
24 (500-650)	50 (1270)	18 (457)	42 (19)	22 (559)	44 (20)
30 (650-800)	62 (1575)	24 (610)	53 (24)	28 (711)	55 (25)
36 (800-1000)	68 (1727)	30 (762)	60 (27)	34 (864)	63 (29)
42 (1000-1200)	74 (1880)	36 (914)	68 (31)	40 (1016)	70 (32)
48 (1200-1400)	80 (2032)	42 (1067)	71 (32)	46 (1168)	75 (34)
54 (1400-1600)	86 (2184)	48 (1219)	77 (35)	52 (1321)	82 (37)
60 (1600-1800)	98 (2489)	54 (1372)	85 (39)	58 (1473)	93 (42)
72 (1800-2000)	110 (2794)	66 (1676)	108 (49)	70 (1778)	110 (50)
84 (2000-2200)	123 (3124)	78 (1981)	144 (65)	82 (2083)	146 (66)
96 (2200-2400)	135 (3429)	90 (2286)	163 (74)	94 (2388)	165 (75)

Note: Dual Tensioners are required for belt widths 54 in. (1400 mm) and greater.



\*Note: The Martin® QC1™ Blade HD (P/N 35381-XXXX) will NOT fit into frame locations for Martin® QC1™ Cleaner MD Assembly (P/N 33497-XXX). The blade will fit on the mainframe, but the mainframe will need to be relocated for proper cleaning and effective wear life.

## ACCESSORIES

Part	P/N
Martin® Steel Inspection Door	CYA-1218
Martin® Hanger Mount Standard Assembly	27382

## FREQUENTLY ASKED QUESTIONS

My Pre-Cleaner keeps flipping through.

The mounting location may be too far away from the belt. Relocate to the proper dimension. Replace the mainframe or end weldments if they are bent.

My Pre-Cleaner is wearing more in the center of the blade.

The blade is too wide for this application. Replace with a shorter length blade.



### Martin Engineering USA

One Martin Place  
Neponset, IL 61345-9766 USA  
800 544 2947 or 309 852 2384  
Fax 800 814 1553  
www.martin-eng.com

**COMPANY WITH  
QUALITY SYSTEM  
CERTIFIED BY DNV  
= ISO 9001:2008 =**

**Problem Solved™ GUARANTEED!**

Form No. L3370-07-03/17  
© Martin Engineering Company 1997, 2017