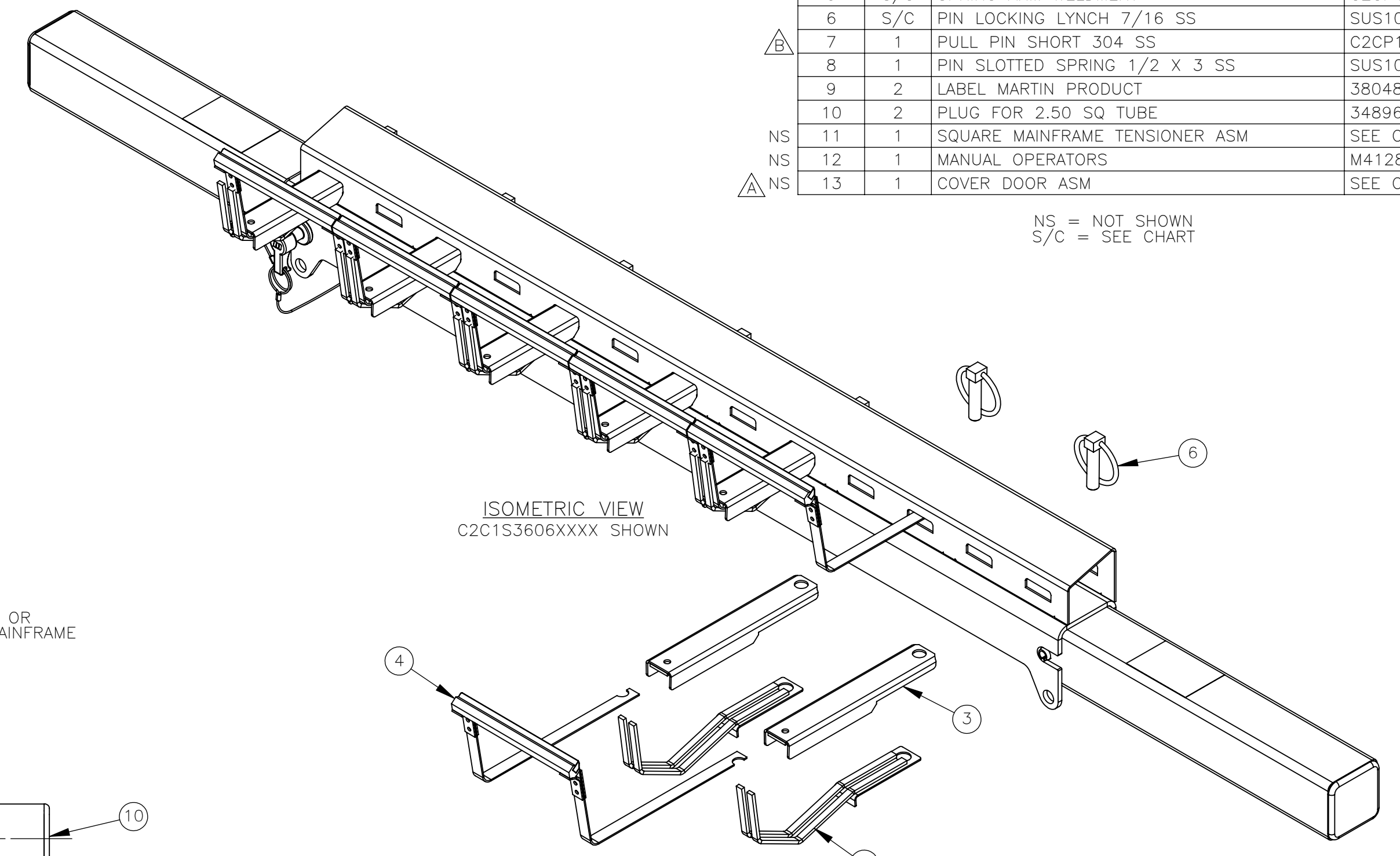


| PART NUMBER | DIM "A" FRAME | DIM "B" CARTRIDGE | DIM "C" BLADE WIDTH | DIM "D" | P/N ITEM 1 | P/N ITEM 2 | QTY ITEM 4 | QTY ITEM 3, 5, 6 | WEIGHT (KG) W/O TENS |
|---------------|-----------------|-------------------|---------------------|--------------|------------|--------------|------------|------------------|----------------------|
| C2C1S1802XXXX | 1219.2 [48.00] | 533.4 [21.00] | 304.4 [11.98] | 89.1 [3.51] | C2CPMS18X | C2CP1015S03S | 2 | 3 | 17.9 |
| C2C1S1803XXXX | 1219.2 [48.00] | 533.4 [21.00] | 457.1 [17.99] | 89.1 [3.51] | C2CPMS18X | C2CP1015S03S | 3 | 4 | 18.5 |
| C2C1S2403XXXX | 1371.6 [54.00] | 685.8 [27.00] | 457.1 [17.99] | 89.6 [3.53] | C2CPMS24X | C2CP1015S04S | 3 | 4 | 21.1 |
| C2C1S2404XXXX | 1371.6 [54.00] | 685.8 [27.00] | 609.8 [24.01] | 89.6 [3.53] | C2CPMS24X | C2CP1015S04S | 4 | 5 | 21.7 |
| C2C1S3004XXXX | 1524.0 [60.00] | 838.2 [33.00] | 609.8 [24.01] | 90.6 [3.57] | C2CPMS30X | C2CP1015S05S | 4 | 5 | 24.4 |
| C2C1S3005XXXX | 1524.0 [60.00] | 838.2 [33.00] | 762.5 [30.02] | 90.6 [3.57] | C2CPMS30X | C2CP1015S05S | 5 | 6 | 24.9 |
| C2C1S3605XXXX | 1676.4 [66.00] | 990.6 [39.00] | 762.5 [30.02] | 92.6 [3.65] | C2CPMS36X | C2CP1015S06S | 5 | 6 | 27.6 |
| C2C1S3606XXXX | 1676.4 [66.00] | 990.6 [39.00] | 915.2 [36.03] | 92.6 [3.65] | C2CPMS36X | C2CP1015S06S | 6 | 7 | 28.2 |
| C2C1S4206XXXX | 1828.8 [72.00] | 1143.0 [45.00] | 915.2 [36.03] | 91.9 [3.62] | C2CPMS42X | C2CP1015S07S | 6 | 7 | 30.8 |
| C2C1S4207XXXX | 1828.8 [72.00] | 1143.0 [45.00] | 1067.9 [42.04] | 91.9 [3.62] | C2CPMS42X | C2CP1015S07S | 7 | 8 | 31.4 |
| C2C1S4807XXXX | 1981.2 [78.00] | 1295.4 [51.00] | 1067.9 [42.04] | 92.9 [3.66] | C2CPMS48X | C2CP1015S08S | 7 | 8 | 36.6 |
| C2C1S4808XXXX | 1981.2 [78.00] | 1295.4 [51.00] | 1220.6 [48.06] | 92.9 [3.66] | C2CPMS48X | C2CP1015S08S | 8 | 9 | 37.2 |
| C2C1S4809XXXX | 2133.6 [84.00] | 1447.8 [57.00] | 1220.6 [48.06] | 93.9 [3.70] | C2CPMS48X | C2CP1015S09S | 8 | 9 | 39.9 |
| C2C1S4810XXXX | 2133.6 [84.00] | 1447.8 [57.00] | 1373.3 [54.07] | 93.9 [3.70] | C2CPMS48X | C2CP1015S09S | 9 | 10 | 40.4 |
| C2C1S6009XXXX | 2286.0 [90.00] | 1600.2 [63.00] | 1373.3 [54.07] | 95.2 [3.75] | C2CPMS60X | C2CP1015S10S | 9 | 10 | 43.1 |
| C2C1S6010XXXX | 2286.0 [90.00] | 1600.2 [63.00] | 1526.0 [60.08] | 95.2 [3.75] | C2CPMS60X | C2CP1015S10S | 10 | 11 | 43.7 |
| C2C1S6610XXXX | 2438.4 [96.00] | 1752.6 [69.00] | 1526.0 [60.08] | 96.2 [3.79] | C2CPMS66X | C2CP1015S11S | 10 | 11 | 46.4 |
| C2C1S6611XXXX | 2438.4 [96.00] | 1752.6 [69.00] | 1678.7 [66.09] | 96.2 [3.79] | C2CPMS66X | C2CP1015S11S | 11 | 12 | 47.0 |
| C2C1S7211XXXX | 2590.8 [102.00] | 1905.0 [75.00] | 1678.7 [66.09] | 97.5 [3.84] | C2CPMS72X | C2CP1015S12S | 11 | 12 | 49.7 |
| C2C1S7212XXXX | 2590.8 [102.00] | 1905.0 [75.00] | 1831.5 [72.10] | 97.5 [3.84] | C2CPMS72X | C2CP1015S12S | 12 | 13 | 50.3 |
| C2C1S7812XXXX | 2743.2 [108.00] | 2057.4 [81.00] | 1831.5 [72.10] | 99.0 [3.90] | C2CPMS78X | C2CP1015S13S | 12 | 13 | 53.1 |
| C2C1S7813XXXX | 2743.2 [108.00] | 2057.4 [81.00] | 1984.2 [78.12] | 99.0 [3.90] | C2CPMS78X | C2CP1015S13S | 13 | 14 | 53.6 |
| C2C1S8413XXXX | 2895.6 [114.00] | 2209.8 [87.00] | 1984.2 [78.12] | 100.3 [3.95] | C2CPMS84X | C2CP1015S14S | 13 | 14 | 56.4 |
| C2C1S8414XXXX | 2895.6 [114.00] | 2209.8 [87.00] | 2136.9 [84.13] | 100.3 [3.95] | C2CPMS84X | C2CP1015S14S | 14 | 15 | 56.9 |
| C2C1S9014XXXX | 3048.0 [120.00] | 2362.2 [93.00] | 2136.9 [84.13] | 101.8 [4.01] | C2CPMS90X | C2CP1015S15S | 14 | 15 | 59.7 |
| C2C1S9015XXXX | 3048.0 [120.00] | 2362.2 [93.00] | 2289.6 [90.14] | 101.8 [4.01] | C2CPMS90X | C2CP1015S15S | 15 | 16 | 60.3 |
| C2C1S9615XXXX | 3200.4 [126.00] | 2514.6 [99.00] | 2289.6 [90.14] | 103.1 [4.06] | C2CPMS96X | C2CP1015S16S | 15 | 16 | 63.1 |
| C2C1S9616XXXX | 3200.4 [126.00] | 2514.6 [99.00] | 2442.3 [96.15] | 103.1 [4.06] | C2CPMS96X | C2CP1015S16S | 16 | 17 | 63.6 |

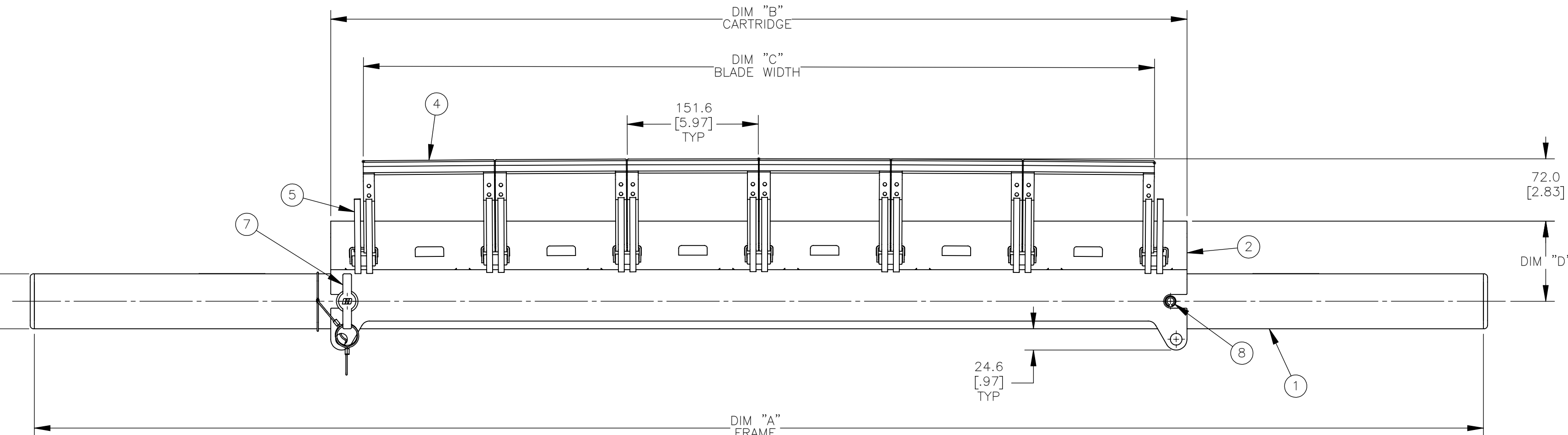
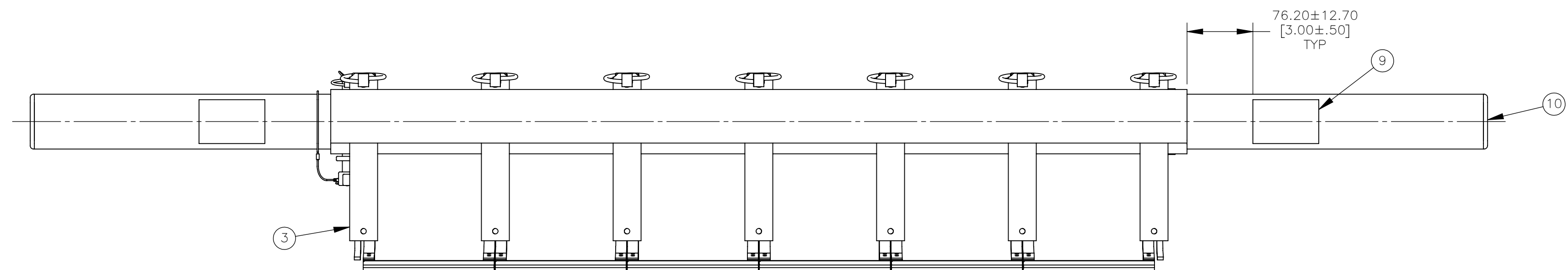
| PART NUMBER | DIM "A" FRAME | P/N ITEM 1 |
|---------------|-----------------|------------|
| C2C1S1802XXXX | 1676.4 [66.00] | C2CPMS18XE |
| C2C1S1803XXXX | 1676.4 [66.00] | C2CPMS18XE |
| C2C1S2403XXXX | 1828.8 [72.00] | C2CPMS24XE |
| C2C1S2404XXXX | 1828.8 [72.00] | C2CPMS24XE |
| C2C1S3004XXXX | 1981.2 [78.00] | C2CPMS30XE |
| C2C1S3005XXXX | 1981.2 [78.00] | C2CPMS30XE |
| C2C1S3605XXXX | 2133.6 [84.00] | C2CPMS36XE |
| C2C1S3606XXXX | 2133.6 [84.00] | C2CPMS36XE |
| C2C1S4206XXXX | 2286.0 [90.00] | C2CPMS42XE |
| C2C1S4207XXXX | 2286.0 [90.00] | C2CPMS42XE |
| C2C1S4807XXXX | 2438.4 [96.00] | C2CPMS48XE |
| C2C1S4808XXXX | 2438.4 [96.00] | C2CPMS48XE |
| C2C1S4809XXXX | 2590.8 [102.00] | C2CPMS48XE |
| C2C1S4810XXXX | 2590.8 [102.00] | C2CPMS48XE |
| C2C1S6009XXXX | 2743.2 [108.00] | C2CPMS60XE |
| C2C1S6010XXXX | 2743.2 [108.00] | C2CPMS60XE |
| C2C1S6610XXXX | 2895.6 [114.00] | C2CPMS66XE |
| C2C1S6611XXXX | 2895.6 [114.00] | C2CPMS66XE |
| C2C1S7211XXXX | 3048.0 [120.00] | C2CPMS72XE |
| C2C1S7212XXXX | 3048.0 [120.00] | C2CPMS72XE |
| C2C1S7812XXXX | 3200.4 [126.00] | C2CPMS78XE |
| C2C1S7813XXXX | 3200.4 [126.00] | C2CPMS78XE |
| C2C1S8413XXXX | 3352.8 [132.00] | C2CPMS84XE |
| C2C1S8414XXXX | 3352.8 [132.00] | C2CPMS84XE |
| C2C1S9014XXXX | 3505.2 [138.00] | C2CPMS90XE |
| C2C1S9015XXXX | 3505.2 [138.00] | C2CPMS90XE |
| C2C1S9615XXXX | 3657.6 [144.00] | C2CPMS96XE |
| C2C1S9616XXXX | 3657.6 [144.00] | C2CPMS96XE |

| ITEM | QTY. | DESCRIPTION | PART NUMBER |
|------|------|--------------------------------|-----------------|
| 1 | 1 | MAINFRAME TUBE | SEE CHART |
| 2 | 1 | CARTRIDGE WELDMENT | SEE CHART |
| 3 | S/C | SPRING ARM COVER WELDMENT | C2CP1003S |
| 4 | S/C | BLADE ARM ASM | SEE BLADE CHART |
| 5 | S/C | SPRING ARM WELDMENT | C2CP1006S |
| 6 | S/C | PIN LOCKING LYNCH 7/16 SS | SUS10011S |
| 7 | 1 | PULL PIN SHORT 304 SS | C2CP1023S |
| 8 | 1 | PIN SLOTTED SPRING 1/2 X 3 SS | SUS10007S |
| 9 | 2 | LABEL MARTIN PRODUCT | 3804B |
| 10 | 2 | PLUG FOR 2.50 SQ TUBE | 34896-02 |
| 11 | 1 | SQUARE MAINFRAME TENSIONER ASM | SEE CHART |
| 12 | 1 | MANUAL OPERATORS | M412B |
| 13 | 1 | COVER DOOR ASM | SEE CHART |

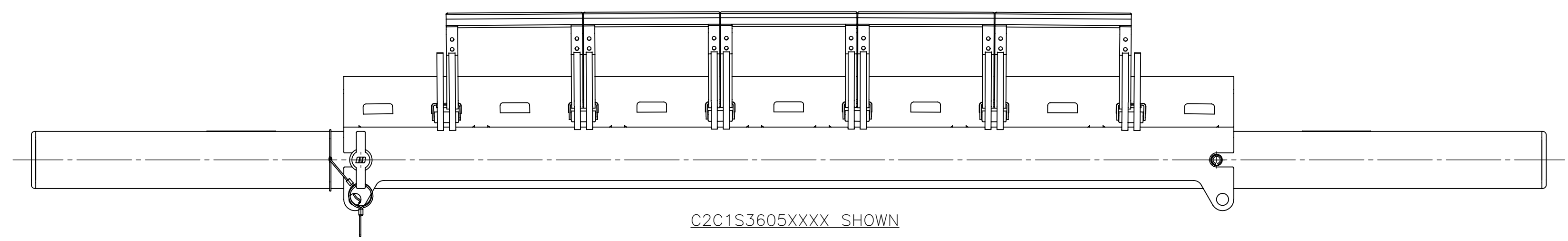
NS = NOT SHOWN
S/C = SEE CHART



ISOMETRIC VIEW
C2C1S3606XXXX SHOWN



C2C1S3606XXXX SHOWN

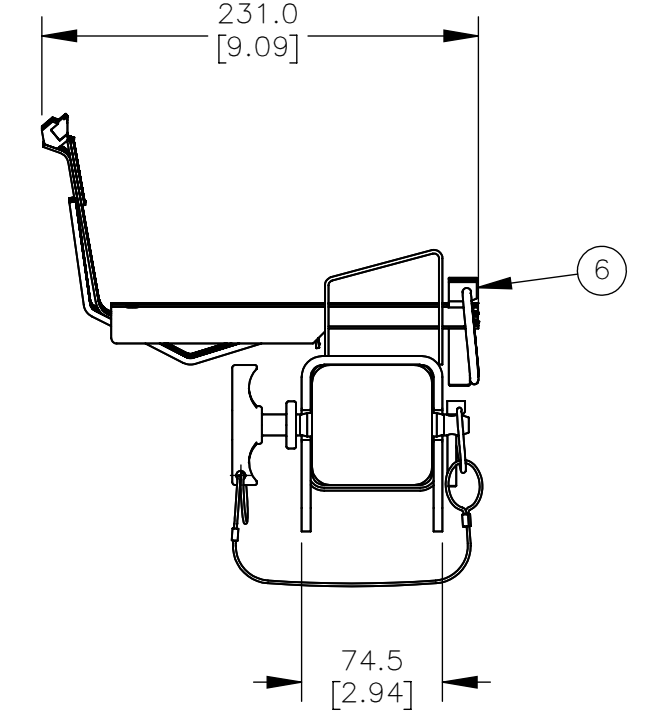


C2C1S3605XXXX SHOWN

| BLADE CHART | | |
|---------------|------------|--|
| PART NUMBER | P/N ITEM 4 | |
| C2C1SXXXX1XXX | C2CB1 | |

| TENSIONER CHART | | |
|-----------------|-------------|----------|
| PART NUMBER | P/N ITEM 11 | MATERIAL |
| C2C1SXXXXXXSX | 38664-SS | 316 SS |
| C2C1SXXXXXXTX | 38664 | STEEL |

| COVER DOOR CHART | | |
|------------------|-------------|----------|
| PART NUMBER | P/N ITEM 13 | MATERIAL |
| C2C1SXXXXXXD | C2CP1027 | STEEL |
| C2C1SXXXXXXS | C2CP1027S | 316 SS |



NOTES:
1) IN THE "C2C" PART NUMBER:
THE 1 INDICATES CARTRIDGE TYPE MAINFRAME.
THE SXX INDICATES THE BELT WIDTH IN STANDARD INCH UNITS.
THE NEXT XX INDICATES THE NUMBER OF BLADES.
THE NEXT X INDICATES BLADE TUNGSTEN TYPE:
1 = TUNGSTEN CARBIDE
THE NEXT X INDICATES THE MAINFRAME TYPE:
E = EXTENDED STAINLESS STEEL
S = STAINLESS STEEL
P = PAINTED STEEL
Z = EXTENDED PAINTED STEEL
THE NEXT X INDICATES THE TENSIONER OPTIONS:
O = NO TENSIONER
S = STAINLESS STEEL
T = STEEL
THE LAST X INDICATES THE DOOR OPTIONS:
O = NO DOOR
D = STEEL
S = STAINLESS STEEL

Copyright 2019 Martin Engineering. All rights reserved. Covered by U.S. and foreign patents pending and issued. ® and TM indicate trademarks of Martin Engineering.

| | | | | |
|-----|---|-------|----------|-----|
| REV | DESCRIPTION | ECN | DATE | BY |
| C | ADDED PAINTED STEEL MAINFRAME & TENSIONER OPTIONS TO CHARTS & NOTES: P = PAINTED STEEL, Z = EXTENDED PAINTED & T = STEEL (PR13975) | | 03/31/20 | JAH |
| B | CHGD P/N FROM C2CP1019S TO C2CP1023S | 15435 | 11/18/19 | RND |
| A | ON BW 18 THRU 42, CHGD DIM "A" BY -152.4 [-6.00] ON BW 48 THRU 96, CHGD DIM "A" BY -457.2 [-18.00] ADDED EXTENDED LENGTH MAINFRAME & COVER DOOR OPTIONS | 15476 | 10/21/19 | JAH |

MATERIAL: FINISH: - WEIGHT: SEE CHART

UNLESS OTHERWISE SPECIFIED TOLERANCES IN MM [INCH]: SURFACE FINISH: ✓
DIMENSIONS ARE IN MM [INCH] .X = ± .1 ANGULAR: ± .1
DIMENSIONS FOR REFERENCE ONLY .XX = ± .1 DRAFT ANGLE: -

SOLIDWORKS

MARTIN ENGINEERING
NEPONSET, IL USA

CLEANSRAPE SECONDARY CLEANER ASSEMBLY

DRAWING NUMBER: PR13908 C2C1SXXXXXXX

SCALE: 1:4

DATE: 06/05/19
CHECKED: JAH
DATE: 06/07/19
I.E.: JEB
DATE: 06/17/19
APPROVED: JEB
DATE: 06/18/19