

# Martin® Twist Tensioner



Keep the pressure on with this rugged yet simple belt cleaner tensioning device from Martin Engineering.

The **Martin® Twist Tensioner** supplies consistent pressure to keep blades against the belt for effective cleaning, regardless of the state of blade wear.

The Martin® Twist Tensioner uses the force stored in a twisted rubber sleeve to provide the steady pressure that allows even, effective cleaning.

This tensioner can be used on either a pre-cleaner or secondary cleaner from Martin Engineering's Martin® DH, Martin® DT, or Martin® QC™ Belt Cleaner families.

## BENEFITS

### • Self-Relieving

If cleaner blades are "pulled through," the tensioner's internal self-relieving coupling rolls over. This releases the pressure on the rubber tensioning sleeve, without exposing personnel or equipment to the risk of injury from a rotating external hub.

### • Easy To Tension

Simply turn the tensioning gear until you feel the resistance of the blades against the belt. Then turn the gear the additional number of notches indicated on the label (as determined by the width of the conveyor belt).

### • Absorbs Splice Shock

Rubber bushings cushion splice impact and minimize damage to belt, splice, and cleaning edge.

### • Low Maintenance

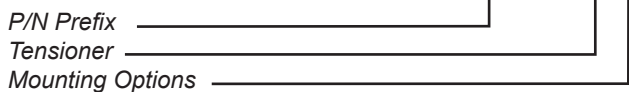
The tensioner maintains consistent blade-to-belt pressure. The set-resistance 60 A Durometer natural rubber sleeve overcomes the need for periodic retensioning necessary to compensate for pressure loss or worn blades.

### • Guaranteed

Like all Martin® Products, the Martin® Twist Tensioner is covered by Martin Engineering's *Absolutely, Positively, No Excuses*, Guarantee.

## NOMENCLATURE

**38850 - X X**



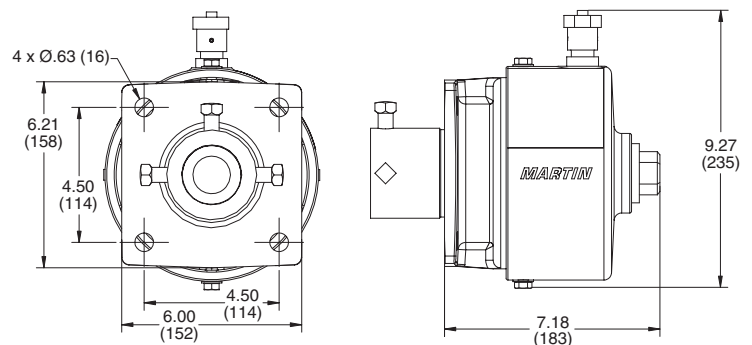
## TENSIONER

- Ø: Single Tensioner
- 2: Dual Tensioner

## MOUNTING OPTIONS

- A: Weldable Adapter Plate Kit
- L: "L" Bracket Mounting Hardware
- M: Metric Mounting Hardware

## DIMENSIONS



**Martin Engineering USA**  
 One Martin Place  
 Neponset, IL 61345-9766 USA  
 800 544 2947 or 309 852 2384  
 Fax 800 814 1553  
 www.martin-eng.com

**COMPANY WITH  
 QUALITY SYSTEM  
 CERTIFIED BY DNV  
 = ISO 9001:2008 =**