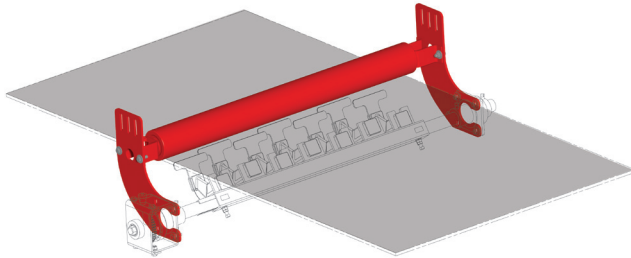


Martin® Pressure Roller Bracket



Martin® Pressure Roller Brackets provide firm support for the belt line over a secondary cleaner allowing effective cleaning. Available with new return rollers or use existing equipment. Mounts to conveyor stringer with three bolts or may be welded in place.

ORDER INFORMATION

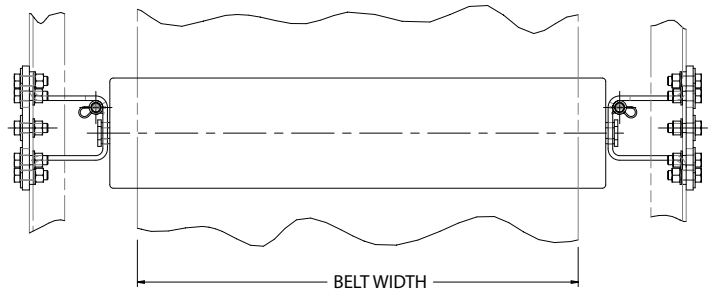
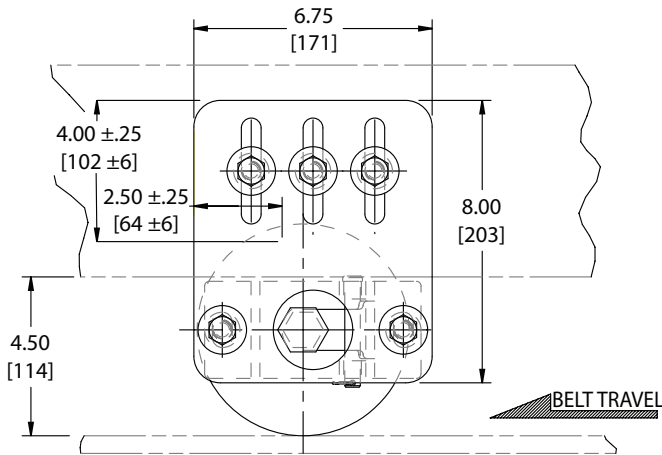
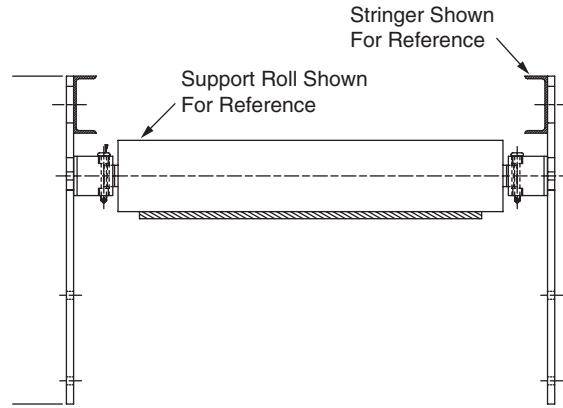
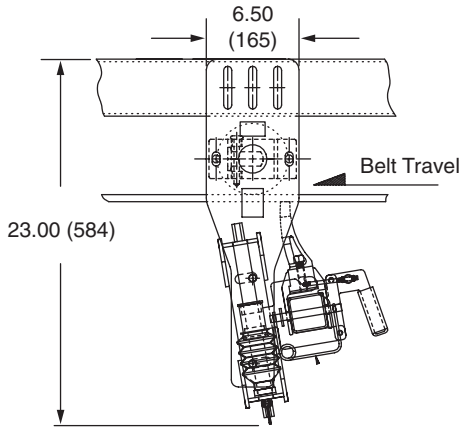
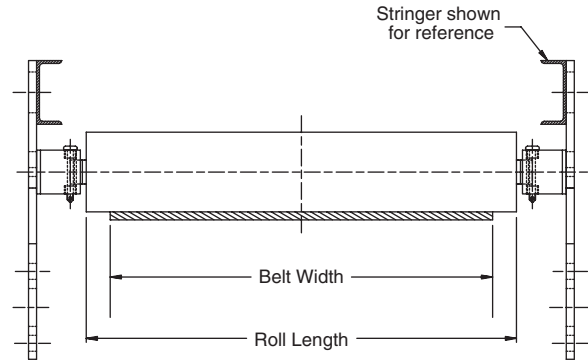
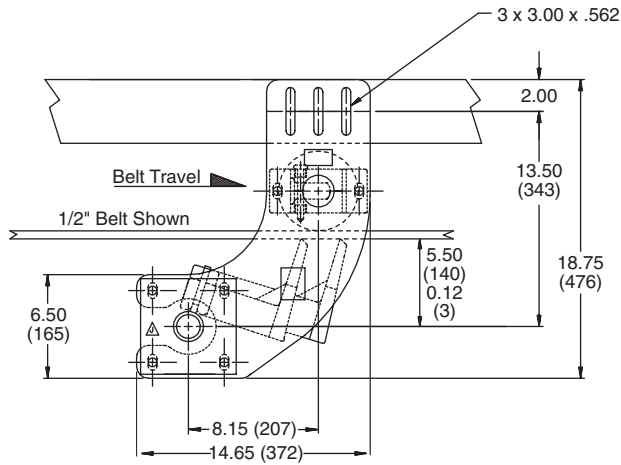
	P/N	Nomenclature
Martin® Pressure Roller Brackets (Pair) w/ Roller for DH2	32290-XXXX	Replace first XX with belt width in inches. Replace third X with manufacturer of support roll.* Replace fourth X with diameter of roll: 5 or 6 inches.
Martin® Pressure Roller Brackets (Pair) w/o Roller	32290-XX	Replace first X with manufacturer of support roll.* Replace second X with diameter of roll: 5 or 6 inches.
Martin® Roller Bracket Assembly for Martin® SAF2™, QC2™, and SQC2S™ Cleaners	34542-XX	Replace first X with manufacturer of support roll.* Replace second X with diameter of roll: 5 or 6 inches.
Martin® Pressure Roller Bracket Assembly for Martin® O2, H2O, and DT2 Cleaners	37954-XXXX	Replace first XX with belt width in inches. Replace third X with manufacturer of support roll.* Replace fourth X with diameter of roll.

* Support roll manufacturers:

- C: Continental Conveyor
- G: Goodman Conveyor
- L: Link Belt
- F: FMC
- H: Hewitt-Robins
- N: North America
- T: Transall

TECHNICAL DATA SHEET

DIMENSIONS -- IN. (MM)



Martin Engineering USA
 One Martin Place
 Neponset, IL 61345-9766 USA
 800 544 2947 or 309 852 2384
 Fax 800 814 1553
 www.martin-eng.com

**COMPANY WITH
 QUALITY SYSTEM
 CERTIFIED BY DNV
 = ISO 9001:2008 =**

Problem Solved™ GUARANTEED!

Form No. L3370-15-08/12
 © Martin Engineering Company 1997, 2012