

PART NO.	BELT WIDTH	DIMENSION "A"	MAXIMUM FRAME LENGTH	MINIMUM IDLER LENGTH	MAXIMUM IDLER LENGTH	DUTY
TKR-18USXX	18 [400-500]	20.38 [518]	35.00 [889]	N/A	N/A	STANDARD
TKR-18LSXX	18 [400-500]	20.38 [518]	36.25 [921]	21.00 [533]	33.00 [838]	STANDARD
TKR-24USXX	24 [500-600]	20.38 [518]	49.13 [1248]	N/A	N/A	STANDARD
TKR-24LSXX	24 [500-600]	20.38 [518]	51.13 [1299]	21.00 [533]	38.63 [981]	STANDARD
TKR-30USXX	30 [650-800]	20.38 [518]	49.13 [1248]	N/A	N/A	STANDARD
TKR-30LSXX	30 [650-800]	20.38 [518]	51.13 [1299]	29.50 [749]	47.13 [1197]	STANDARD
TKR-36USXX	36 [800-1000]	20.38 [518]	53.13 [1350]	N/A	N/A	STANDARD
TKR-36LSXX	36 [800-1000]	20.38 [518]	51.13 [1299]	29.50 [749]	47.13 [1197]	STANDARD
TKR-42USXX	42 [1000-1200]	20.38 [518]	66.89 [1699]	N/A	N/A	STANDARD
TKR-42LSXX	42 [1000-1200]	20.38 [518]	66.81 [1697]	42.50 [1080]	60.13 [1527]	STANDARD
TKR-48USXX	48 [1200-1400]	20.38 [518]	66.89 [1699]	N/A	N/A	STANDARD
TKR-48LSXX	48 [1200-1400]	20.38 [518]	66.81 [1697]	42.50 [1080]	60.13 [1527]	STANDARD
TKR-54USXX	54 [1400-1600]	20.38 [518]	71.13 [1807]	N/A	N/A	STANDARD
TKR-54LSXX	54 [1400-1600]	20.38 [518]	66.81 [1697]	42.50 [1080]	60.13 [1527]	STANDARD
TKR-36UHXX	36 [800-1000]	25.17 [639]	65.88 [1673]	N/A	N/A	HEAVY
TKR-36LHXX	36 [800-1000]	25.17 [639]	60.38 [1534]	33.26 [845]	53.64 [1362]	HEAVY
TKR-42UHXX	42 [1000-1200]	25.17 [639]	74.88 [1902]	N/A	N/A	HEAVY
TKR-42LHXX	42 [1000-1200]	25.17 [639]	77.38 [1965]	42.00 [1067]	65.38 [1661]	HEAVY
TKR-48UHXX	48 [1200-1400]	25.17 [639]	86.88 [2207]	N/A	N/A	HEAVY
TKR-48LHXX	48 [1200-1400]	25.17 [639]	77.38 [1965]	42.00 [1067]	73.38 [1864]	HEAVY
TKR-54UHXX	54 [1400-1600]	25.17 [639]	86.88 [2207]	N/A	N/A	HEAVY
TKR-54LHXX	54 [1400-1600]	25.17 [639]	77.38 [1965]	42.00 [1067]	81.38 [1864]	HEAVY
TKR-60UHXX	60 [1600-1800]	25.17 [639]	104.75 [2661]	N/A	N/A	HEAVY
TKR-60LHXX	60 [1600-1800]	25.17 [639]	104.25 [2648]	56.00 [1422]	95.25 [2419]	HEAVY
TKR-72UHXX	72 [1800-2000]	25.17 [639]	104.75 [2661]	N/A	N/A	HEAVY
TKR-72LHXX	72 [1800-2000]	25.17 [639]	104.25 [2648]	56.00 [1422]	95.25 [2419]	HEAVY
37249-48UM	48 [1200-1400]	24.92 [633]	84.75 [2152]	N/A	N/A	EXTRA HEAVY
37249-48LM	48 [1200-1400]	24.92 [633]	84.75 [2152]	44.75 [1137]	68.25 [1734]	EXTRA HEAVY
37249-54UM	54 [1400-1600]	24.92 [633]	90.75 [2305]	N/A	N/A	EXTRA HEAVY
37249-54LM	54 [1400-1600]	24.92 [633]	90.75 [2305]	50.75 [1289]	74.25 [1886]	EXTRA HEAVY
37249-60UM	60 [1600-1800]	24.92 [633]	90.75 [2305]	N/A	N/A	EXTRA HEAVY
37249-60LM	60 [1600-1800]	24.92 [633]	90.75 [2305]	50.75 [1289]	74.25 [1886]	EXTRA HEAVY
37249-66UM	66 [1600-1800]	24.92 [633]	90.75 [2305]	N/A	N/A	EXTRA HEAVY
37249-66LM	66 [1600-1800]	24.92 [633]	90.75 [2305]	50.75 [1289]	74.25 [1886]	EXTRA HEAVY
37249-72UM	72 [1800-2000]	24.92 [633]	102.75 [2610]	N/A	N/A	EXTRA HEAVY
37249-72LM	72 [1800-2000]	24.92 [633]	102.75 [2610]	65.75 [1670]	89.25 [2267]	EXTRA HEAVY
37249-84UM	84 [2000-2200]	24.92 [633]	102.75 [2610]	N/A	N/A	EXTRA HEAVY
37249-84LM	84 [2000-2200]	24.92 [633]	102.75 [2610]	65.75 [1670]	89.25 [2267]	EXTRA HEAVY
37249-96UM	96 [2200-2400]	24.92 [633]	114.75 [2914]	N/A	N/A	EXTRA HEAVY
37249-96LM	96 [2200-2400]	24.92 [633]	114.75 [2914]	92.75 [2356]	116.75 [2953]	EXTRA HEAVY
37249-108LM	108 [2400-2700]	24.92 [633]	126.75 [3219]	92.75 [2356]	116.75 [2953]	EXTRA HEAVY

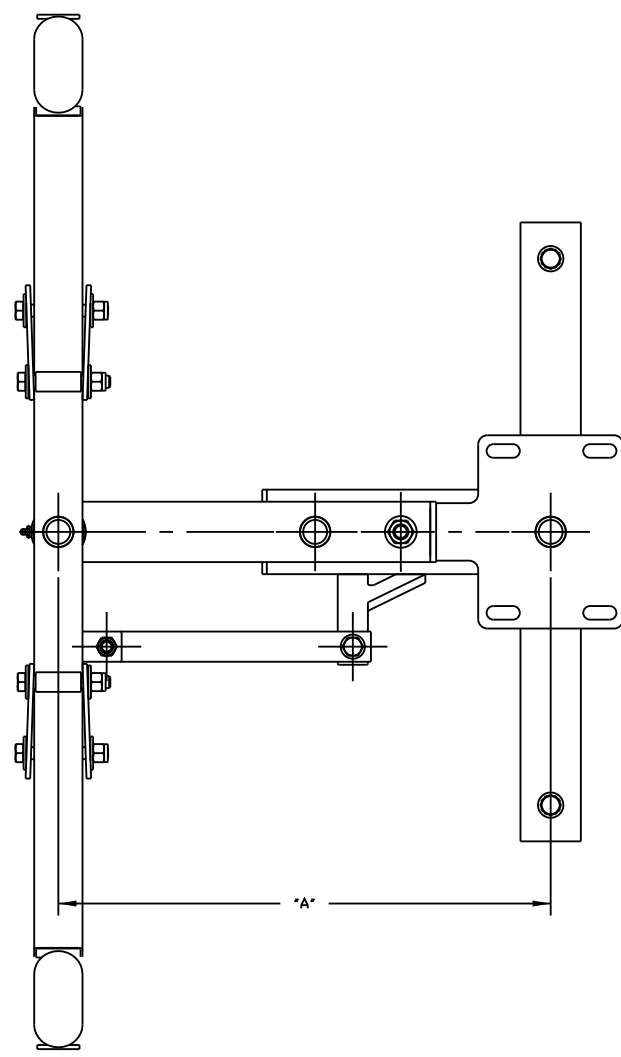
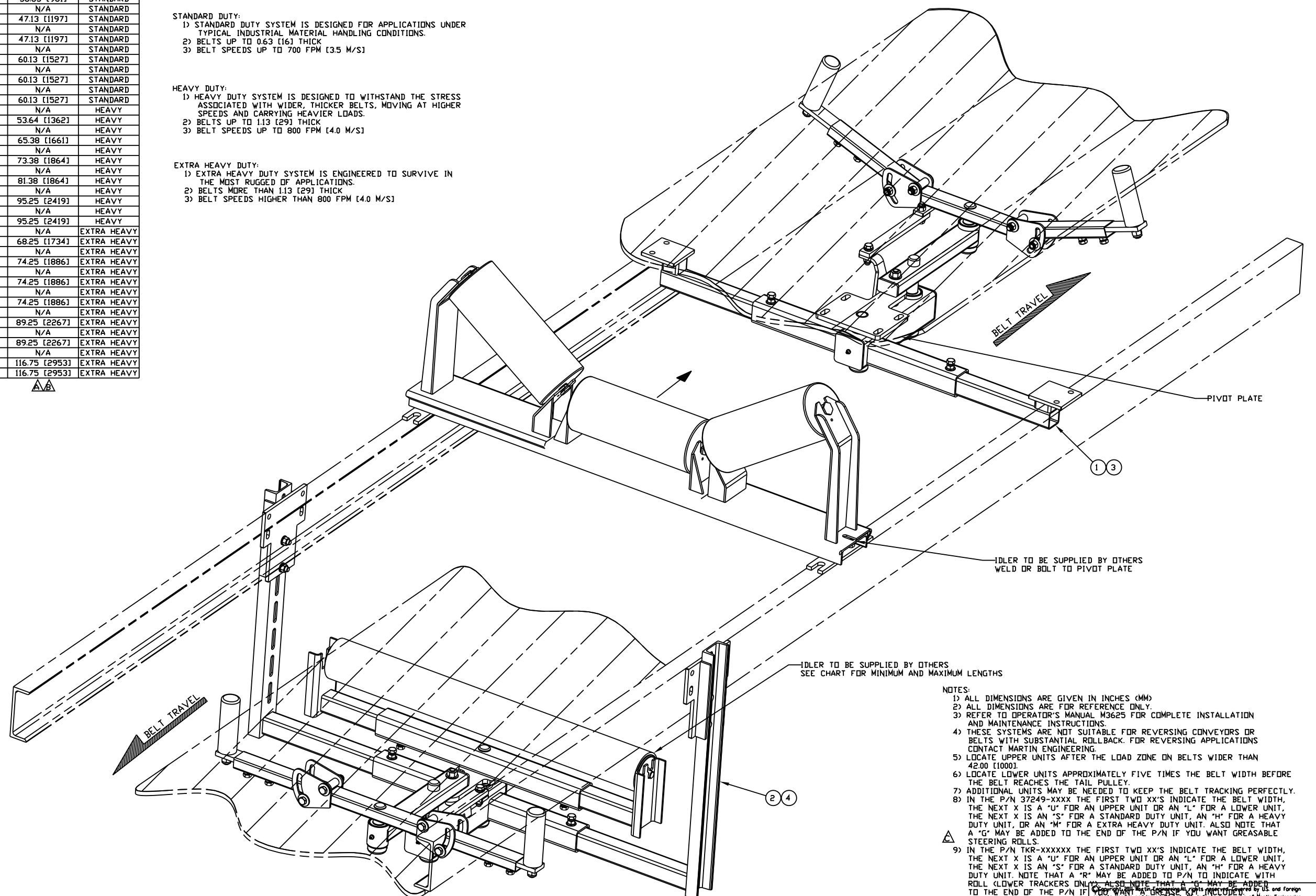
LOWER UNIT CLEARANCE REQUIREMENTS BELOW BELT	
TKR-XXLSXX	15.00 [381]
TKR-XXLHXX	22.00 [559]
37249-XXLM	24.00 [610]

ITEM	QTY.	DESCRIPTION	PART NUMBER
1	1	MARTIN TRACKER UPPER UNIT	TKR-XXUSXX
2	1	MARTIN TRACKER LOWER UNIT	TKR-XXLSXX
3	1	MARTIN TRACKER XHD UPPER UNIT	37249-XXUX
4	1	MARTIN TRACKER XHD LOWER UNIT	37249-XXLX

STANDARD DUTY:
 1) STANDARD DUTY SYSTEM IS DESIGNED FOR APPLICATIONS UNDER TYPICAL INDUSTRIAL MATERIAL HANDLING CONDITIONS.
 2) BELTS UP TO 0.63 [16] THICK
 3) BELT SPEEDS UP TO 700 FPM [3.5 M/S]

HEAVY DUTY:
 1) HEAVY DUTY SYSTEM IS DESIGNED TO WITHSTAND THE STRESS ASSOCIATED WITH WIDER, THICKER BELTS, MOVING AT HIGHER SPEEDS AND CARRYING HEAVIER LOADS.
 2) BELTS UP TO 1.13 [29] THICK
 3) BELT SPEEDS UP TO 800 FPM [4.0 M/S]

EXTRA HEAVY DUTY:
 1) EXTRA HEAVY DUTY SYSTEM IS ENGINEERED TO SURVIVE IN THE MOST RUGGED OF APPLICATIONS.
 2) BELTS MORE THAN 1.13 [29] THICK
 3) BELT SPEEDS HIGHER THAN 800 FPM [4.0 M/S]



PLAN VIEW LESS END WELDMENTS SCALE 1/4"

- NOTES:
- 1) ALL DIMENSIONS ARE GIVEN IN INCHES (MM)
 - 2) ALL DIMENSIONS ARE FOR REFERENCE ONLY.
 - 3) REFER TO OPERATOR'S MANUAL M3625 FOR COMPLETE INSTALLATION AND MAINTENANCE INSTRUCTIONS.
 - 4) THESE SYSTEMS ARE NOT SUITABLE FOR REVERSING CONVEYORS OR BELTS WITH SUBSTANTIAL ROLLBACK. FOR REVERSING APPLICATIONS CONTACT MARTIN ENGINEERING.
 - 5) LOCATE UPPER UNITS AFTER THE LOAD ZONE ON BELTS WIDER THAN 42.00 [1067].
 - 6) LOCATE LOWER UNITS APPROXIMATELY FIVE TIMES THE BELT WIDTH BEFORE THE BELT REACHES THE TAIL PULLEY.
 - 7) ADDITIONAL UNITS MAY BE NEEDED TO KEEP THE BELT TRACKING PERFECTLY.
 - 8) IN THE P/N 37249-XXXX THE FIRST TWO XX'S INDICATE THE BELT WIDTH, THE NEXT X IS A "U" FOR AN UPPER UNIT OR AN "L" FOR A LOWER UNIT, THE NEXT X IS AN "S" FOR A STANDARD DUTY UNIT, AN "H" FOR A HEAVY DUTY UNIT, OR AN "M" FOR AN EXTRA HEAVY DUTY UNIT. ALSO NOTE THAT A "G" MAY BE ADDED TO THE END OF THE P/N IF YOU WANT GREASABLE STEERING ROLLS.
 - 9) IN THE P/N TKR-XXXXXX THE FIRST TWO XX'S INDICATE THE BELT WIDTH, THE NEXT X IS A "U" FOR AN UPPER UNIT OR AN "L" FOR A LOWER UNIT, THE NEXT X IS AN "S" FOR A STANDARD DUTY UNIT, AN "H" FOR A HEAVY DUTY UNIT. NOTE THAT A "R" MAY BE ADDED TO P/N TO INDICATE WITH ROLL LOWER TRACKERS ONLY. ALSO NOTE THAT A "G" MAY BE ADDED TO THE END OF THE P/N IF YOU WANT GREASABLE STEERING ROLLS.

MARTIN ENGINEERING NEPONSET ILLINOIS USA

TITLE	MARTIN TRACKER UPPER & LOWER UNITS	DRAWN	RND
DATE	07/09/03	CHECKED	
ENG.	MJT	DATE	07/10/03
APPROVED	JMB	DATE	07/11/03
SCALE	3/16		

NO.	DESCRIPTION	ECN	DATE	BY
C	UPDATED DWG WITH STD & HEAVY DUTY TKR P/N'S/ ADDED NOTE	13030	03/24/11	JMH
B	UPDATED MINIMUM IDLER LENGTH & MAXIMUM IDLER LENGTH IN THE CHART	12214	01/25/08	MJB
A	ADDED MINIMUM AND MAXIMUM IDLER LENGTH COLUMNS TO CHART	11989	04/23/07	MJB

