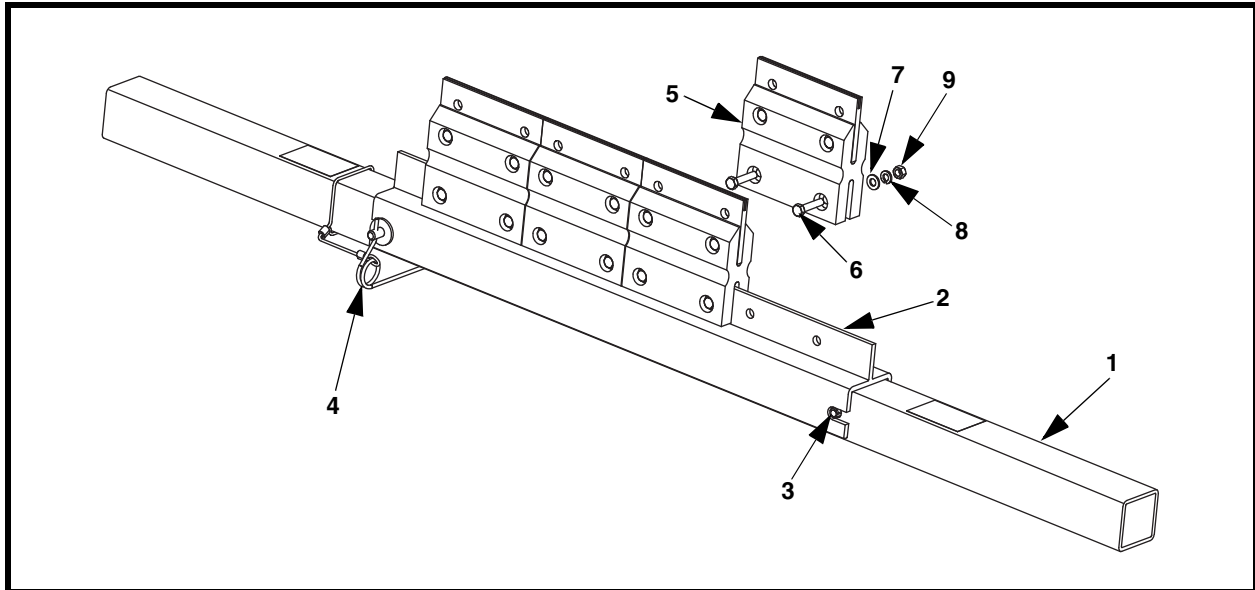


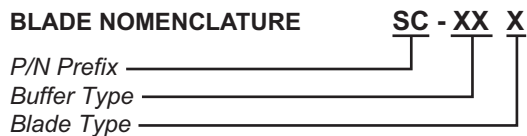
# Martin® SAF2™ Cleaner & Martin® SQC2S™ Cleaner Replacement Parts List



## Martin® SQC2S™ Cleaner Assembly, P/N SQC2S-XXXXXXXXXX

Item	Description	Part Number
1	Mainframe	38657-XX
2	Blade Cartridge	SQC2S-35696-XX
3	Slotted Spring Pin	33840
4	Lock Pin Lanyard Assembly	38024
5	Blade Assembly	SC-XXX
6	Cap Screw	SP04436-30
7	Flat Washer	37724
8	Lock Washer	33055
9	Hex Nut	37723

### BLADE NOMENCLATURE

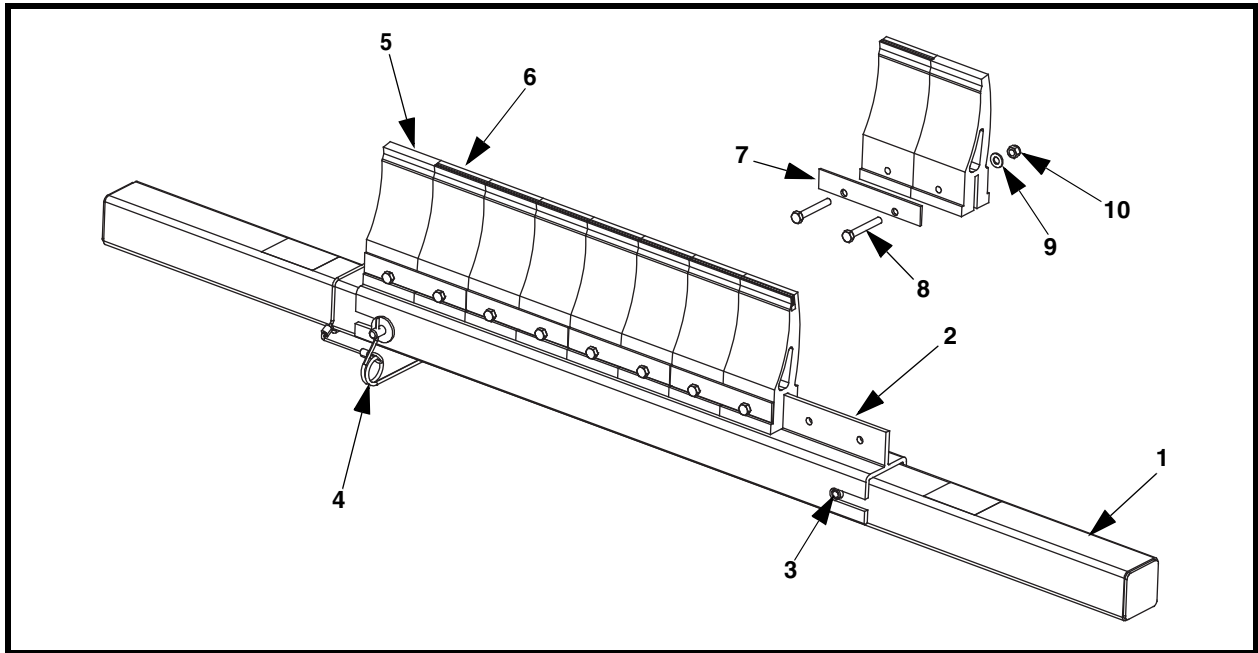


### BUFFER TYPE

**MR:** Molded Rubber  
**FR:** Flame-Retardant Rubber

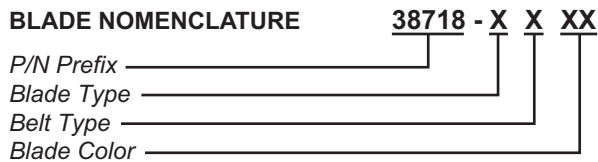
### BLADE TYPE

**G:** Acid-Resistant  
 for belts with clips  
**H:** Acid Resistant  
**R:** General Applications and  
 Reversing Belts–Tungsten Carbide



**Martin® SQC2S™ Cleaner Assembly with 3-in. Martin® SAF2™ Style Blades,  
P/N SQC2S-XXXXXX3XXX**

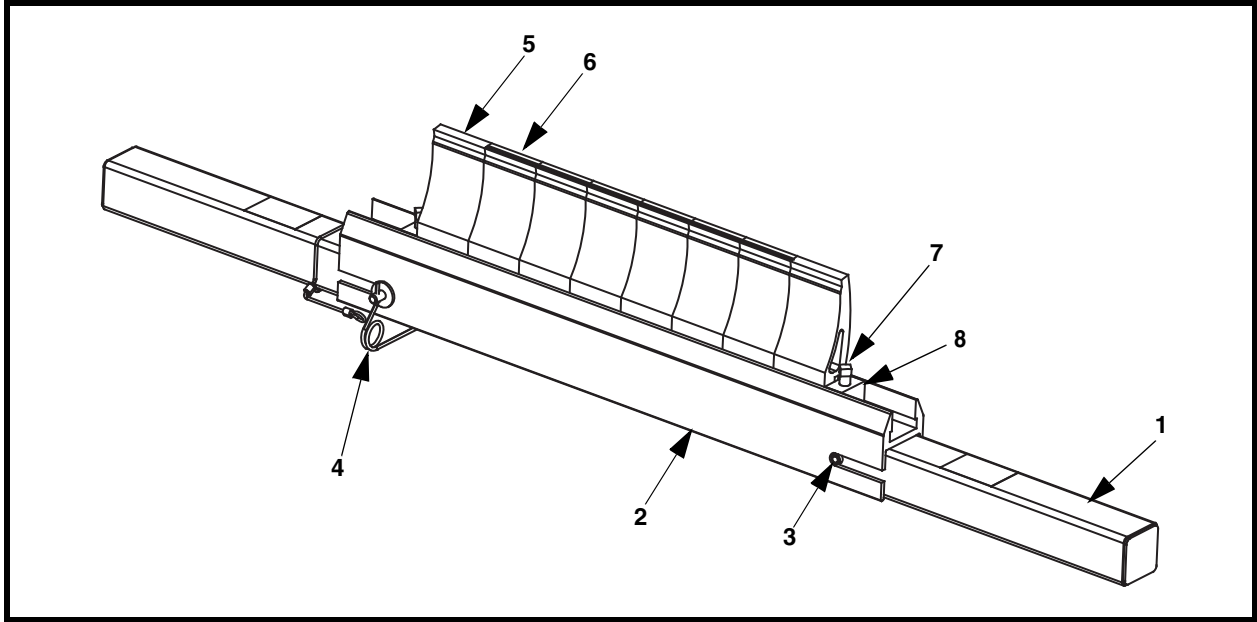
Item	Description	Part Number
1	Mainframe	38657-XXX
2	Blade Cartridge	SQC2S-35696-XX3X
3	Slotted Spring Pin	33840
4	Lock Pin Lanyard Assembly	38024
5	Urethane Blade	38718-UXXX
6	Blade with Carbide Tip	38718-TXX
7	Backing Plate	38280
8	Cap Screw	38040
9	Flat Washer	37724
10	Elastic Lock Nut	33054



**BLADE TYPE**  
**U:** Urethane  
**T:** Tungsten Carbide Tipped

**BELT TYPE**  
**R:** Reversing  
**Blank:** One Direction

**BLADE COLOR**  
**BR:** Brown  
**GR:** Green  
**NB:** Navy Blue  
**Blank:** Orange

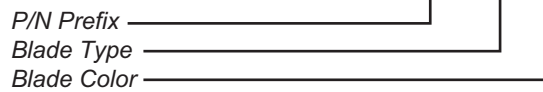


**Martin® SAF2™ Cleaner Assembly, P/N SAF2S-XXXXXX3XXX**

Item	Description	Part Number
1	Mainframe	38657-XXX
2	Blade Cartridge	33843S-XX
3	Slotted Spring Pin	33840
4	Lock Pin Lanyard Assembly	38024
5	Urethane Blade	38718-UXXX
6	Blade with Carbide Tip	38718-TXX
7	Set Screw	22763-06
8	End Stop	34048

**BLADE NOMENCLATURE**

**38718 - X XX**

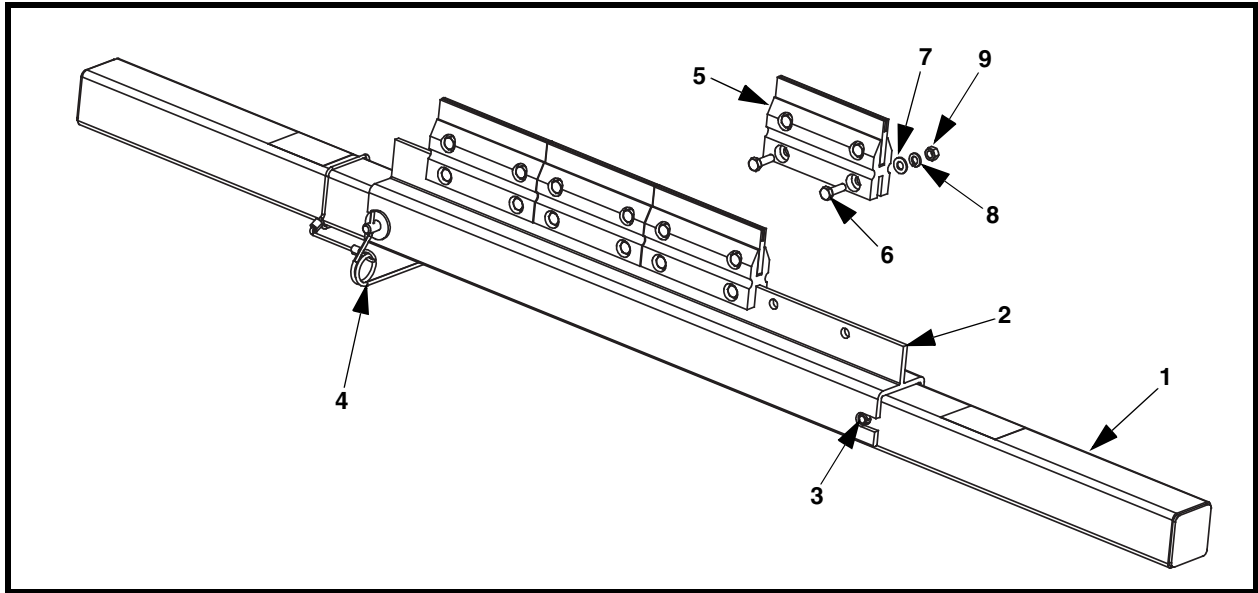


**BLADE TYPE**

**U:** Urethane  
**T:** Tungsten Carbide Tipped

**BLADE COLOR**

**BR:** Brown  
**GR:** Green  
**NB:** Navy Blue  
**Blank:** Orange



**Martin® SQC2S™ Cleaner Assembly with Mini Martin® SQC2S™ Style Blades,  
P/N SQC2MS-XXXXXXXXXX**

Item	Description	Part Number
1	Mainframe	38657-XX
2	Blade Cartridge	SQC2MS-35696-XX
3	Slotted Spring Pin	33840
4	Lock Pin Lanyard Assembly	38024
5	Blade Assembly	SCM-MRR
6	Cap Screw	36052
7	Flat Washer	37724
8	Lock Washer	33055
9	Hex Nut	37723