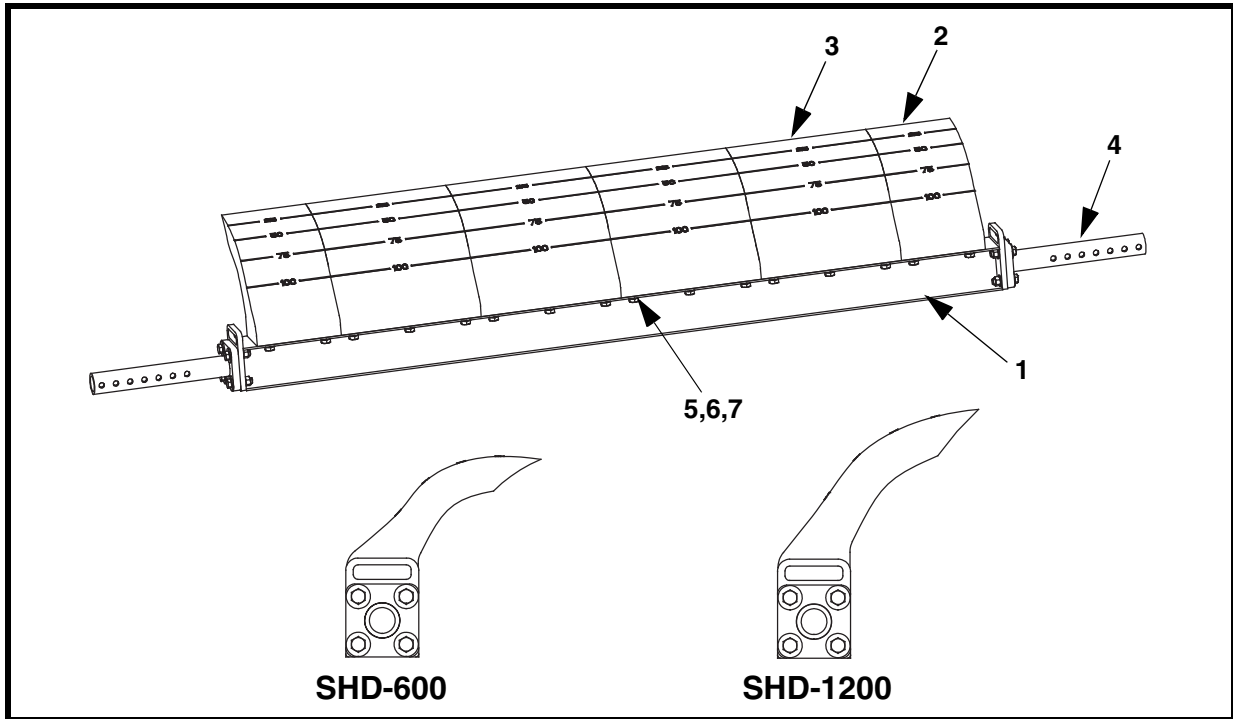


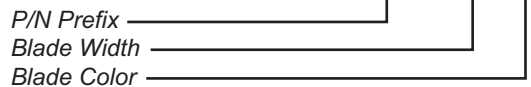
# Martin® SHD Cleaner Replacement Parts List



## Martin® SHD Cleaner Assembly, P/N SH1X-XXXXXXXXXX

Item	Description	Part No.
1	Mainframe	35549-XXX
2	Blade (12.00 Lg.)	3556X-12XX
3	Blade (20.00 Lg.)	3556X-20XX
4	End Weldment	36634-XXX
5	Flat Washer	35536
6	Helical Spring Lock Washer	35537
7	Cap Screw	35970

### BLADE NOMENCLATURE    XXXXX - XX XX



#### P/N PREFIX

35568: SHD 600  
35569: SHD 1200

#### BLADE WIDTH

12: 12 inch  
20: 20 inch

#### BLADE COLOR

BR: Brown  
GR: Green  
CRY: Ceramic/Yellow  
Blank: Orange