

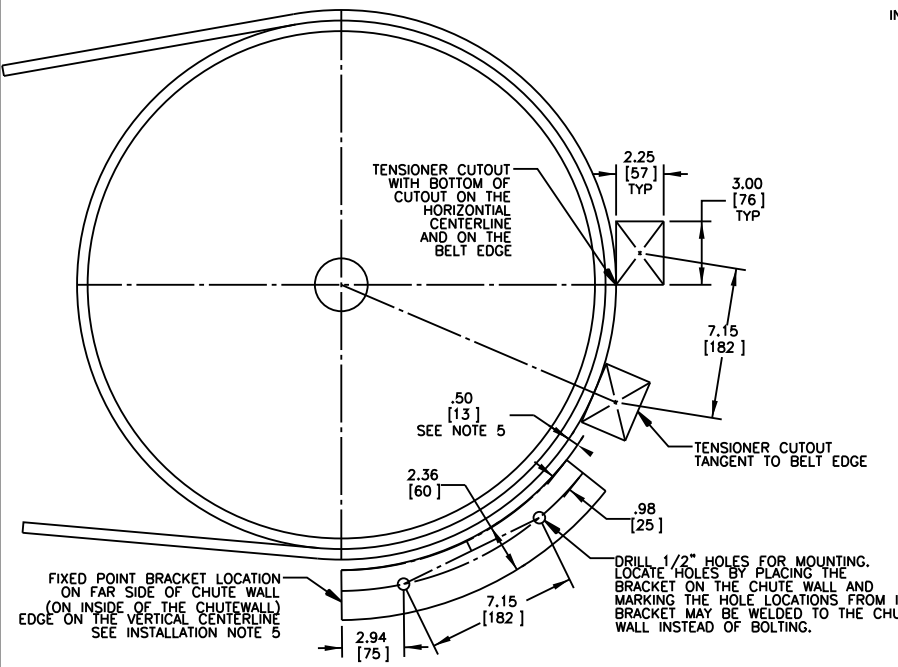
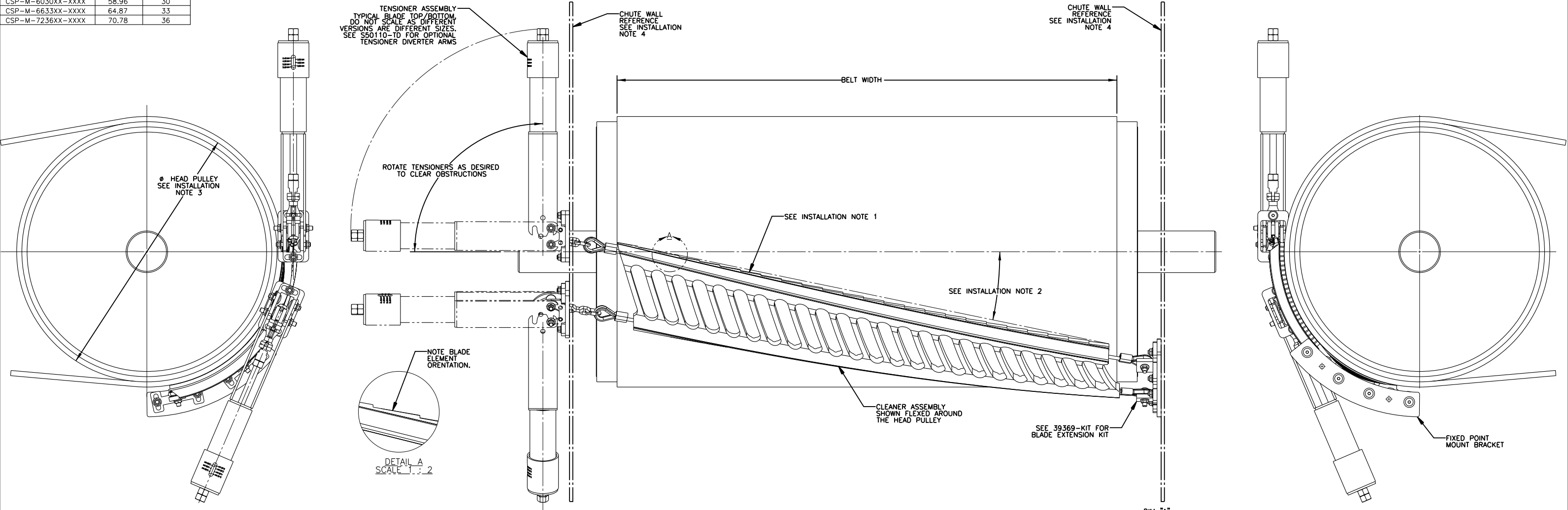
S50110-M		
(PART NUMBER FIRST FOUR XXXX'S) BELT WIDTH / NUMBER OF ELEMENTS		
PART NO.	DIM "A"	# ELEMENTS
CSP-M-1809XX-XXXX	17.63	9
CSP-M-2412XX-XXXX	23.53	12
CSP-M-3015XX-XXXX	29.44	15
CSP-M-3618XX-XXXX	35.34	18
CSP-M-4221XX-XXXX	41.25	21
CSP-M-4824XX-XXXX	47.15	24
CSP-M-5427XX-XXXX	53.06	27
CSP-M-6030XX-XXXX	58.96	30
CSP-M-6633XX-XXXX	64.87	33
CSP-M-7236XX-XXXX	70.78	36

(PART NUMBER 5TH X) BLADE TYPE	
PART NO.	APPLICATION
CSP-M-XXXX1X-XXXX	STANDARD VERSION, SUITABLE FOR LESS ABRASIVE MATERIALS AND LOW BELT SPEEDS, ALLOWED FOR MECHANICAL SPLICES
CSP-M-XXXX2X-XXXX	MODERATE VERSION, SUITABLE FOR ABRASIVE MATERIALS AND MEDIUM BELT SPEEDS, ALLOWED FOR MECHANICAL SPLICES
CSP-M-XXXX3X-XXXX	SEVERE VERSION, SUITABLE FOR HIGHLY ABRASIVE MATERIALS AND HIGH BELT SPEEDS, NOT ALLOWED FOR MECHANICAL SPLICES
CSP-M-XXXX4X-XXXX	EXTREME VERSION, SUITABLE FOR EXTREMELY ABRASIVE MATERIALS AND HIGHEST BELT SPEEDS, NOT ALLOWED FOR MECHANICAL SPLICES
CSP-M-XXXX5X-XXXX	STANDARD/MODERATE VERSION, SUITABLE FOR ABRASIVE MATERIALS AND LOW/MEDIUM BELT SPEEDS, ALLOWED FOR MECHANICAL SPLICES, HAS CHEMICAL RESISTANCE

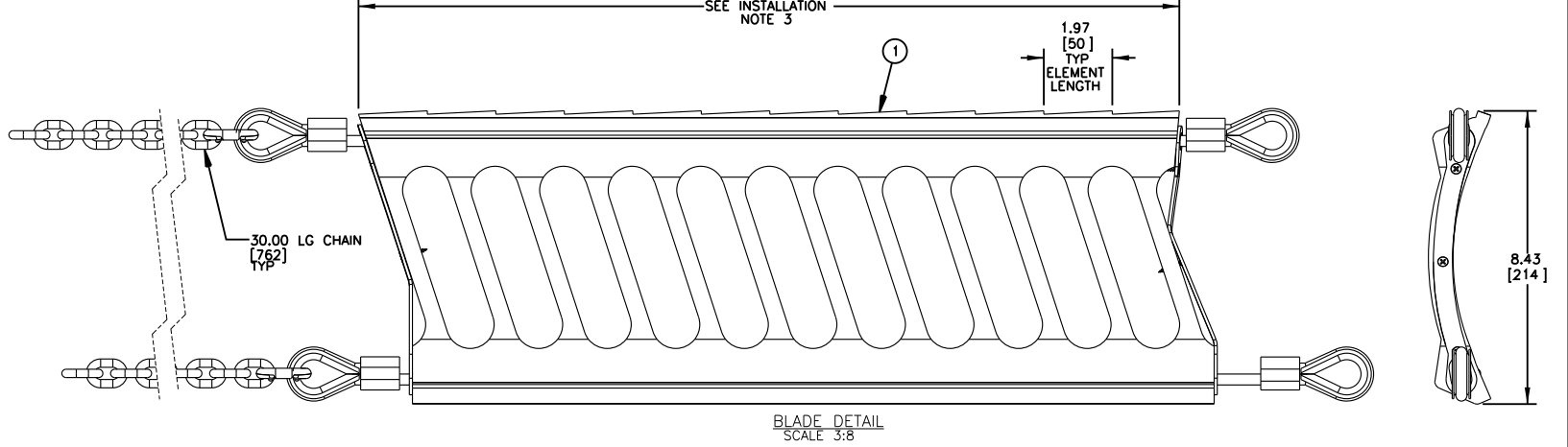
(PART NUMBER 6TH X) TYPE OF SWAGE SLEEVES	
PART NO.	TYPE OF SWAGE SLEEVES
CSP-M-XXXXX-XXXX	ALUMINUM SWAGE SLEEVES
CSP-M-XXXXXC-XXXX	COPPER SWAGE SLEEVES

(PART NUMBER LAST FOUR XXXX'S) TENSIONER / INSTALLATION KIT	
PART NO.	TENSIONER SIZE / MOUNT BRACKET
CSP-M-XXXXXX-T2B	2.8 KN STEEL TENSIONER AND FIXED POINT MOUNT BRACKET
CSP-M-XXXXXX-T28C	2.8 KN STAINLESS STEEL TENSIONER AND FIXED POINT MOUNT BRACKET
CSP-M-XXXXXX-T42	4.2 KN STEEL TENSIONER AND FIXED POINT MOUNT BRACKET
CSP-M-XXXXXX-T42C	4.2 KN STAINLESS STEEL TENSIONER AND FIXED POINT MOUNT BRACKET

ITEM	QTY.	DESCRIPTION	PART NUMBER
1	1	MARTIN CLEANSRAPE CLEANER ASSEMBLY	SEE CHARTS



- INSTALLATION NOTES:**
- 1) BLADE CARBIDE SCRAPERS ARE MOLDED INTO THE RUBBER BODY AT AN ANGLE CREATING A SERRATED CLEANING EDGE. CLEANER MUST BE MOUNTED AT AN ANGLE AS SHOWN. CLEANER MUST NOT LIE IN THE MATERIAL PATH.
 - 2) THE IDEAL INSTALLATION ANGLE IS BETWEEN 14° AND 17°. ANGLES FROM 10° TO 22° ARE ACCEPTABLE.
 - 3) BELT WIDTH MUST NOT EXCEED A RATIO OF 3:1 TO THE HEAD PULLEY DIAMETER. HEAD PULLEY RANGE IS 22" MIN. TO 34" MAX.
 - 4) CHUTE WALLS MUST BE STRONG ENOUGH TO NOT FLEX WHEN THE CLEANER IS TENSIONED. ADDITIONAL CHUTE WALL STRUCTURE MAY BE REQUIRED TO PREVENT CHUTE WALL FROM FLEXING.
 - 5) LOCATE AND INSTALL THE FIXED POINT MOUNT BRACKET ON THE INSIDE OF THE FAR SIDE CHUTE WALL. MEASURE THE HEAD PULLEY RADIUS PLUS THE LAGGING, BELT THICKNESS, AND ADD THE 50". THIS IS THE RADIUS ARC THAT THE FIXED POINT BRACKET WILL BE LOCATED ON. ALSO LOCATE THE FIXED POINT BRACKET EDGE ON THE VERTICAL CENTERLINE (AT 6:00 O'CLOCK POSITION). MARK THE HOLE LOCATIONS FROM THE FIXED POINT BRACKET AND DRILL THE MOUNTING HOLES (IF NOT WELDING IN PLACE). BOLT THE FIXED POINT BRACKET TO THE INSIDE OF THE CHUTE WALL.
 - 6) ON THE OPERATORS SIDE OF THE CHUTE WALL MARK THE LOCATION OF THE TENSIONER CUTOUTS. SEE THE CUTOUT DETAIL. WELD THE TENSIONER MOUNT BRACKETS TO THE CHUTE WALL POSITIONED OVER THE CUTOUTS. BOLT THE TENSIONERS TO THE TENSIONER MOUNT BRACKETS. LEAVE THE ADJUSTMENT BOLTS LOOSE AT THIS TIME.
 - 7) ASSEMBLE THE CHAIN AND THE CHAIN LINKS TO THE TENSION END OF THE BLADE. INSTALL THE CLEANER TO THE FIXED POINT BRACKET. LEAVE THE ADJUSTMENT BOLTS LOOSE AT THIS TIME. HOLD THE CLEANER TO THE HEAD PULLEY AND ROUTE THE CHAINS THROUGH THE CHUTE WALL AND HOOK ONTO THE TENSIONERS. MAKE SURE THE TENSIONER ADJUSTMENT NUTS ARE AT THE END OF THE TENSIONER THREADED ROD. TIGHTEN THE TENSIONER ADJUSTMENT NUT UNTIL THE CLEANER IS HELD FIRMLY AGAINST THE HEAD PULLEY. ADJUST THE FIXED POINT BRACKET AND TENSIONER BRACKETS SO THE OUTER TWO ELEMENTS ON EACH SIDE OF THE CLEANER ARE APPROXIMATELY 1/8" AWAY FROM THE BELT. TIGHTEN ALL BOLTS.
 - 8) TENSION THE CLEANER PER THE RECOMMENDED TENSION IN THE MANUAL.



- NOTES:**
- 1) ALL DIMENSIONS ARE GIVEN IN INCHES [MM].
 - 2) ALL DIMENSIONS ARE FOR REFERENCE ONLY.
 - 3) IN THE BLADE ASSEMBLY PART NUMBER:
 THE FIRST XX INDICATES BLADE WIDTH
 THE NEXT XX INDICATES NUMBER OF ELEMENTS IN THE BLADE
 THE NEXT X INDICATES BLADE CARBIDE TYPE.
 THE NEXT X INDICATES IF COPPER SWAGE SLEEVES ARE REQUIRED.
 BLANK = ALUMINUM SWAGE SLEEVES
 C = COPPER SWAGE SLEEVES
 THE NEXT XXX INDICATES IF INSTALLATION KIT IS INCLUDED.
 T2B = 2.8 KN STEEL SPRING TENSIONER
 T28C = STAINLESS STEEL 2.8 KN SPRING TENSIONER
 T42 = 4.2 KN STEEL SPRING TENSIONER
 T42C = STAINLESS STEEL 4.2 KN SPRING TENSIONER

TENSIONER CHUTE CUTOUTS AND FIXED POINT BRACKET LOCATION
SCALE 7:32

BLADE DETAIL
SCALE 3:8

Copyright 2015 Martin Engineering. All rights reserved. Covered by U.S. and foreign patents pending and issued. ® and ™ indicate trademarks of Martin Engineering.

MARTIN ENGINEERING-USA
NEPONSET, IL USA

TITLE	CLEANSRAPE MEDIUM CLEANER ASSEMBLY	DRAWN RND	DATE 06/18/15
ENG.	RAP	CHECKED	DATE 07/24/15
APPROVED	JLM	DATE	07/24/15

SALES DRAWING

NO.	DESCRIPTION	ECN	DATE	BY
MD0873	REVISION			

S50110-M SCALE 7:32

