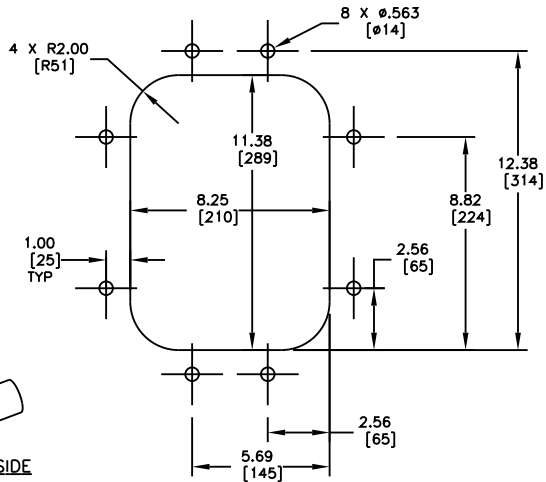
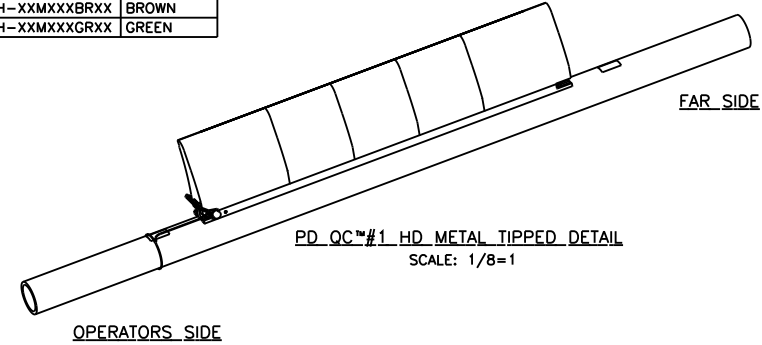


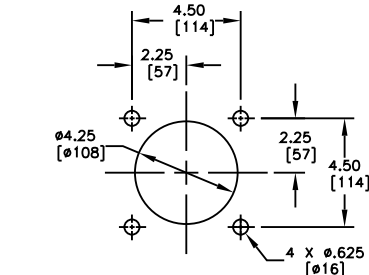
PART NUMBER	BELT WIDTH	DIMENSION "A" BLADE COVERAGE	DIMENSION "B" FRAME LENGTH
PQC1H-18MX16XXXX	18.00 [400-500]	16.00 [406]	48.00 [1219]
PQC1H-24MX16XXXX	24.00 [500-650]	16.00 [406]	54.00 [1372]
PQC1H-24MX22XXXX	24.00 [500-650]	22.00 [559]	54.00 [1372]
PQC1H-30MX22XXXX	30.00 [650-800]	22.00 [559]	60.00 [1524]
PQC1H-30MX28XXXX	30.00 [650-800]	28.00 [711]	60.00 [1524]
PQC1H-36MX28XXXX	36.00 [800-1000]	28.00 [711]	66.00 [1676]
PQC1H-36MX34XXXX	36.00 [800-1000]	34.00 [864]	66.00 [1676]
PQC1H-42MX34XXXX	42.00 [1000-1200]	34.00 [864]	72.00 [1829]
PQC1H-42MX40XXXX	42.00 [1000-1200]	40.00 [1016]	72.00 [1829]
PQC1H-48MX40XXXX	48.00 [1200-1400]	40.00 [1016]	78.00 [1981]
PQC1H-48MX46XXXX	48.00 [1200-1400]	46.00 [1168]	78.00 [1981]

ASSEMBLY PART NO.	COLOR
PQC1H-XXMXXORXX	ORANGE
PQC1H-XXMXXBRXX	BROWN
PQC1H-XXMXXGRXX	GREEN

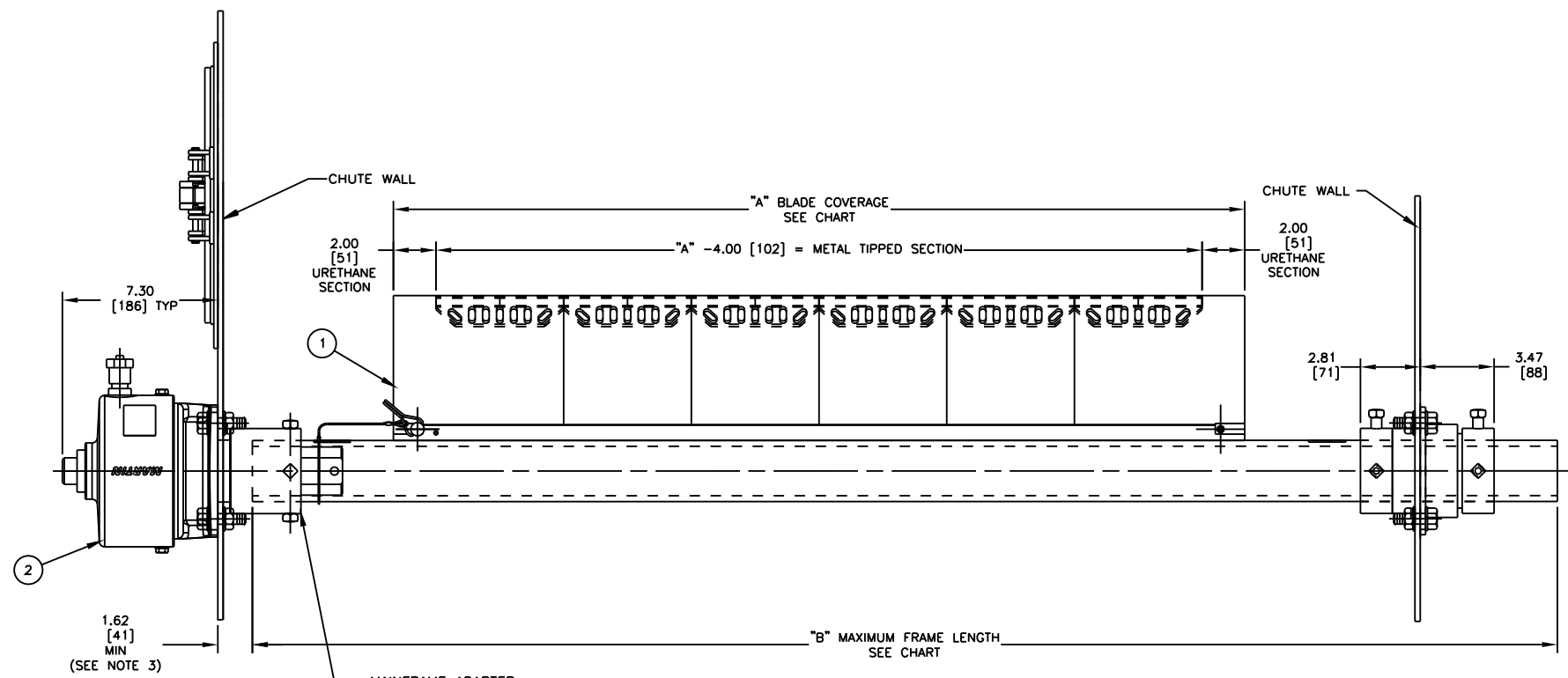
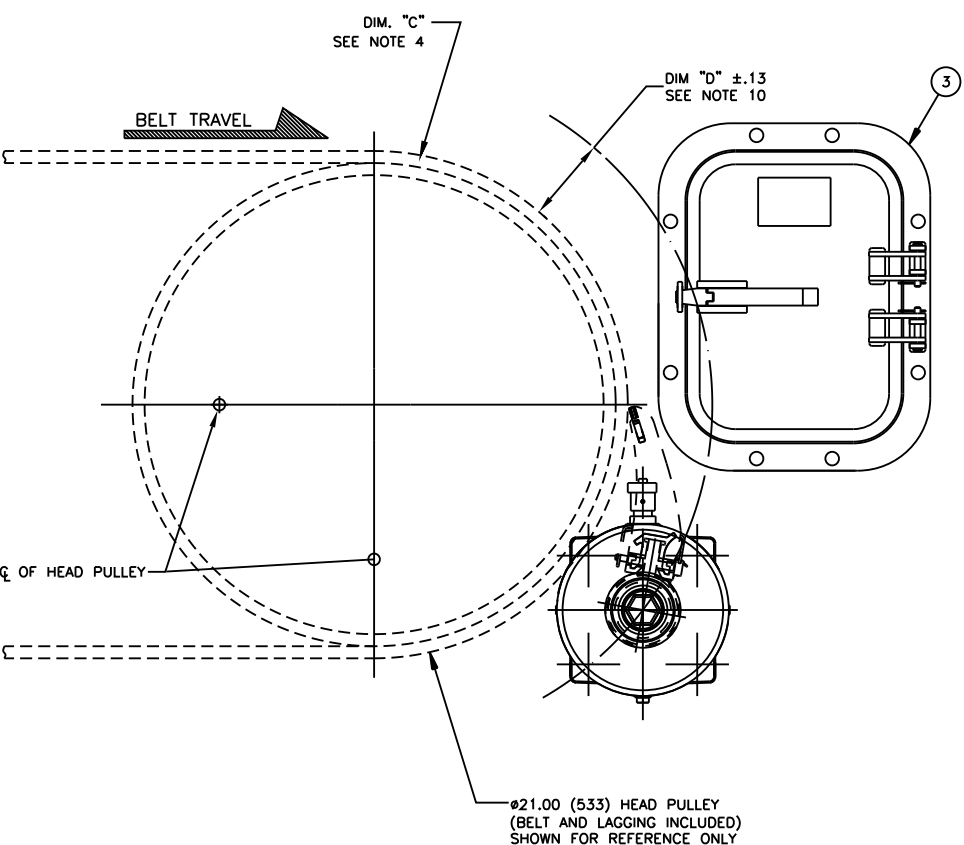
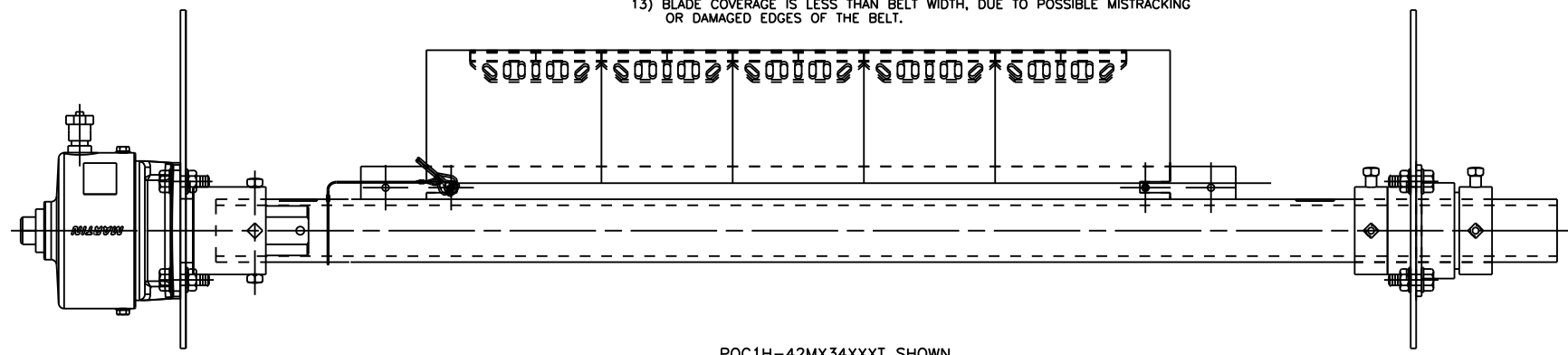
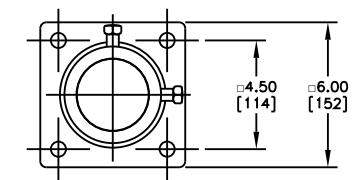


MOUNTING LOCATION CHART	
DIM. "C"	
HEAD PULLEY DIAMETER	DIM. "D"
12.00 [305] THRU 15.00 [381]	4.00 [102]
16.00 [406] AND OVER	3.50 [89]

\* INCLUDES BELT AND LAGGING



- NOTES:
- 1) ALL DIMENSIONS ARE GIVEN IN INCHES [MM] AND ARE FOR REFERENCE ONLY.
  - 2) IN THE PQC1H-XXMXXXXXX PART NUMBER THE FIRST TWO XX'S INDICATE THE BELT WIDTH, THE "M" INDICATES A METAL TIPPED BLADE, THE NEXT X INDICATES THE BLADE TYPE: 0 = NO BLADES, T = MILD STEEL TC TIPPED BLADE, C = CORROSION RESISTANT TC TIPPED BLADE, THE NEXT TWO XX'S INDICATE BLADE COVERAGE: 00 = NO BLADES, THE NEXT TWO XX'S INDICATE BLADE COLOR: (SEE CHART), THE NEXT X INDICATES THE MAINFRAME TYPE: P = STANDARD DUTY, THE LAST X INDICATES ACCESSORY OPTIONS: 0 = NO OPTIONS, T = TWIST TENSIONER, S = SPRING TENSIONER.
  - 3) CUT MAINFRAME TO LENGTH, WITH BLADES CENTERED ON THE BELT MEASURE HOW FAR THE MAINFRAME IS OUTSIDE THE CHUTE WALL AND ADD 1.63 [41] MINIMUM TO CUT OFF.
  - 4) THE PRE-CLEANER BLADE IS DESIGNED FOR HEAD PULLEY'S WITH A MINIMUM EFFECTIVE DIAMETER OF 12.00 [305].
  - 5) CLEANER IS SHOWN IN RECOMMENDED WORKING POSITION.
  - 6) WHERE EXTREME OR UNUSUAL CONDITIONS EXIST, OR SPECIAL MAINFRAME LENGTHS ARE REQUIRED CONTACT MARTIN ENGINEERING.
  - 7) TWIST TENSIONER MAY BE BOLTED OR WELDED IN PLACE, MARTIN ENGINEERING RECOMMENDS BOLTING WHEN APPLICABLE FOR EASIER MAINTENANCE AND ACCESSIBILITY.
  - 8) REFER TO OPERATOR'S MANUAL M3814 FOR COMPLETE INSTALLATION INSTRUCTIONS.
  - 9) FOR BELT WIDTHS 54.00 [1400-1600] AND LARGER, MARTIN ENGINEERING RECOMMENDS USING A DUAL TWIST TENSIONER (P/N 38554-2). SEE S50075-D.
  - 10) CLEANER CAN BE LOCATED ANYWHERE ALONG THE ARC, AS LONG AS THE MAINFRAME IS OUT OF MATERIAL TRAJECTORY AND THE BLADE TIPS ARE BELOW THE HORIZONTAL CENTERLINE OF THE HEAD PULLEY.
  - 11) THE PD\_QC#1 HD MT PRE-CLEANER BLADES ARE DESIGNED TO REMOVE HEAVY CARRYBACK ONLY. DO NOT OVERTENSION. DO NOT USE ON BELTS WITH MECHANICAL SPLICES.
  - 12) FOR SEVERE APPLICATIONS WELD THE MAINFRAME ADAPTER DIRECTLY TO MAINFRAME.
  - 13) BLADE COVERAGE IS LESS THAN BELT WIDTH, DUE TO POSSIBLE MISTRACKING OR DAMAGED EDGES OF THE BELT.



© Copyright 2010 Martin Engineering. All rights reserved. Covered by U.S. and foreign patents pending and issued. ® and TM indicate trademarks of Martin Engineering.

**MARTIN ENGINEERING** NEPONSET ILLINOIS USA

TITLE: MARTIN® PERFORMANCE DUTY QC#1 HD METAL TIPPED ASM WITH TWIST™ TENSIONER ASM 9 X 12 STEEL DOOR

DRAWN: RND DATE: 04/14/10  
 CHECKED: [Signature] DATE: 04/21/10  
 APPROVED: [Signature] DATE: 04/21/10

SALES DRAWING: PR11707 S50075-S SCALE: 1/4=1

NO.	DESCRIPTION	ECN	DATE	BY
A	RWD TAN AND NAVY BLUE FROM COLOR CHART	14301	08/03/15	RND
AutoCAD REVISION				

