

ITEM	DESCRIPTION	PART NUMBER
1	INTERNAL SPRING TENSIONER	33036
2	AIR TENSIONER	31348-XXX
3	HUB MOUNT TENSIONER	31368-XXX
4	MAINFRAME	SEE CHART
5	PRE-CLEANER BLADE	SEE CHART
6	PIPE COLLAR	33056
7	1/4-20 X 1/2" LG SET SCREW	24298-04
8	PLASTIC END CAP	31833

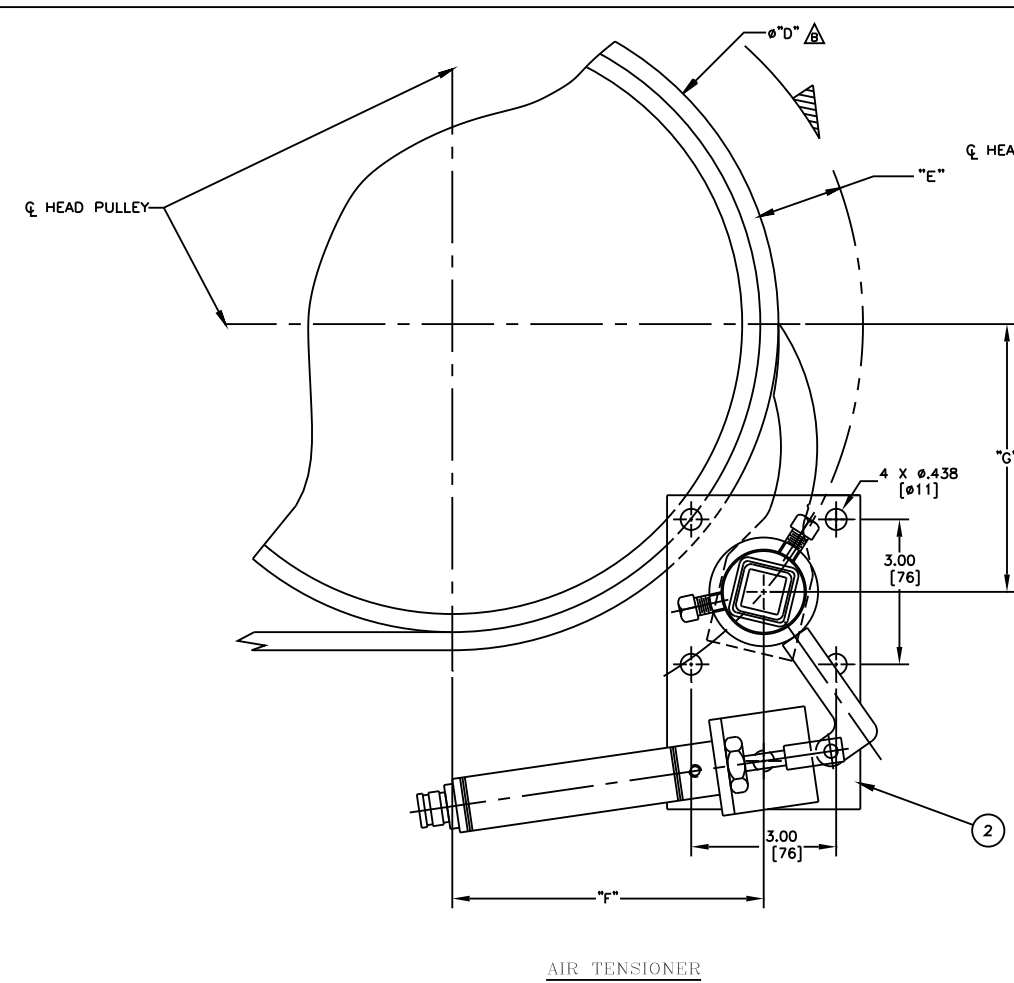
ASSEMBLY PART NO.	BELT WIDTH	PART NO. ITEM 4	PART NO. ITEM 5	DIM "A"	DIM "B"	DIM "C"
33464-12XXXX	12.00 [305]	31350-12	33463-12XX *	28.00 [711]	10.00 [254]	9.00 [228]
33464-14XXXX	14.00 [356]	31350-14	33463-14XX *	30.00 [762]	12.00 [305]	9.00 [228]
33464-16XXXX	16.00 [406]	31350-15	33463-16XX *	31.00 [787]	14.00 [356]	8.50 [216]
33464-18XXXX	18.00 [457]	31350-18	33463-18XX *	32.00 [813]	16.00 [406]	8.00 [203]
33464-24XXXX	24.00 [610]	31350-24	33463-24XX *	40.00 [1016]	22.00 [559]	9.00 [228]
33464-30XXXX	30.00 [762]	31350-30	33463-30XX *	44.00 [1118]	28.00 [711]	8.00 [203]
33464-36XXXX	36.00 [914]	31350-36	33463-36XX *	52.00 [1321]	34.00 [864]	9.00 [228]
33464-42XXXX	42.00 [1067]	31350-42	33463-42XX *	56.00 [1422]	40.00 [1016]	8.00 [203]
33464-45XXXX	45.00 [1143]	31350-44	33463-45XX *	60.00 [1524]	43.00 [1092]	8.50 [216]

* - SEE NOTE 2
 ▲

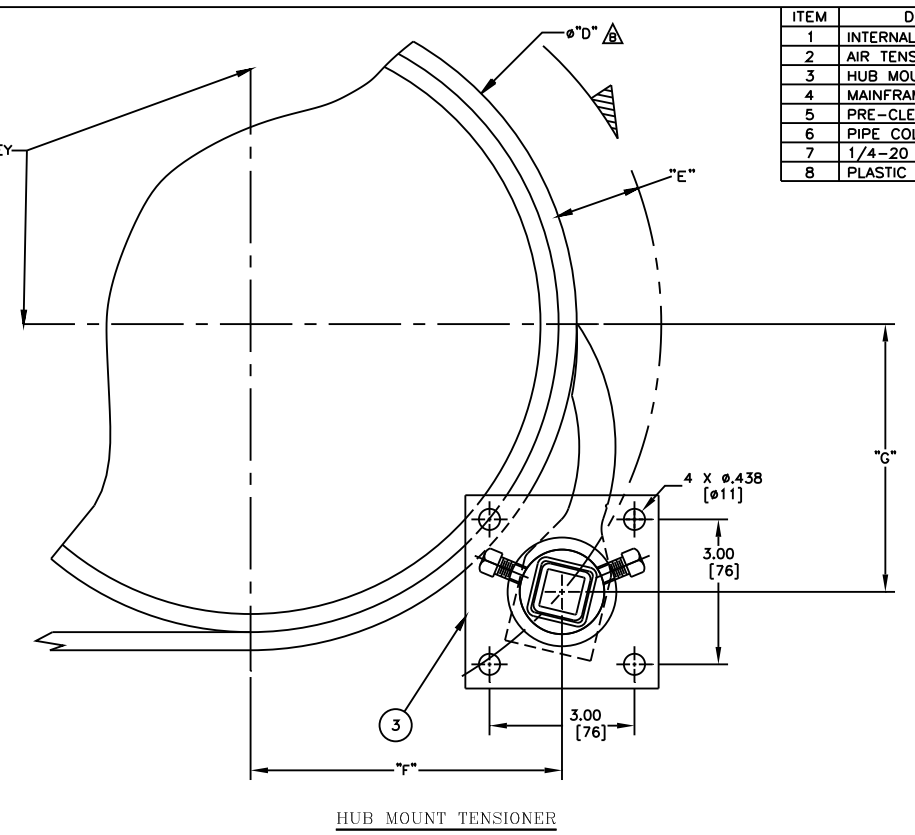
BLADE COVERAGE	RECOMMENDED TORQUE *		RECOMMENDED PRESSURE
	SPRING, HUB MOUNT - ft.lbs. (kgm)		AIR - psig (kpo)
10.00 [254]	7.0 [1.0]		5.0 [31.6]
16.00 [406]	11.0 [1.5]		7.0 [48.3]
22.00 [559]	15.0 [2.0]		10.0 [68.9]
28.00 [711]	19.0 [2.6]		13.0 [89.6]
34.00 [864]	23.0 [3.2]		16.0 [110.3]

* - SEE NOTE 8

- NOTES:
- 1) ALL DIMENSIONS ARE INCHES (MM) AND ARE FOR REFERENCE ONLY.
 - 2) FIRST XX INDICATES BELT WIDTH. THIRD X INDICATES BLADE WITHOUT SLITS. FOURTH X INDICATES BLADE WITH OR WITHOUT SEGMENTS. EXAMPLE: 33463-2410 = 24" BELT/BLADE WITH SEGMENTS. 33463-2411 = 24" BELT/BLADE SOLID.
 - 3) SHOWN IS THE RECOMMENDED MOUNTING DIMENSIONS FOR COMPACT PRE-CLEANER.
 - 4) FOR INSTALLATION OF SECONDARY CLEANER OR PRE-CLEANER WITH STRUCTURAL INTERFERENCE CONTACT MARTIN ENGINEERING.
 - 5) DIMENSIONS SHOWN ARE FOR LISTED PULLEY DIAMETERS WITH .375 [10] LAGGING AND .375 [10] BELT THICKNESS.
 - 6) FOR EASY ACCESSIBILITY AND MAINTENANCE, MARTIN ENGINEERING RECOMMENDS BOLTING CLEANER TO EXISTING STRUCTURE WHEN APPLICABLE.
 - 7) BLADE COVERAGE WILL BE 2.00 [51] LESS THAN BELT WIDTH DUE TO POSSIBLE MISTRACKING OR DAMAGED EDGES OF BELT.
 - 8) DUAL INTERNAL SPRING TENSIONERS ARE REQUIRED FOR TORQUES GREATER THAN 23.0 [3]. THIS REQUIRES THE MAINFRAME LENGTH TO BE A MINIMUM OF 43.00 [1092].

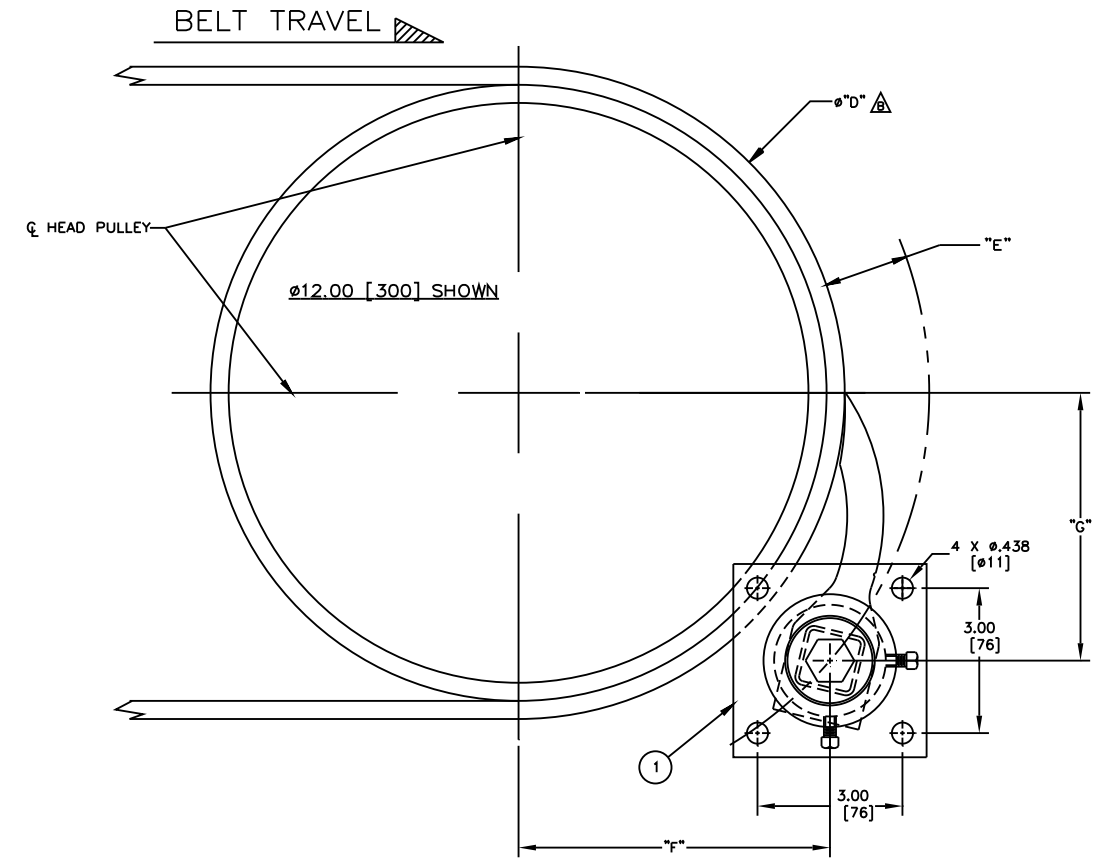


AIR TENSIONER

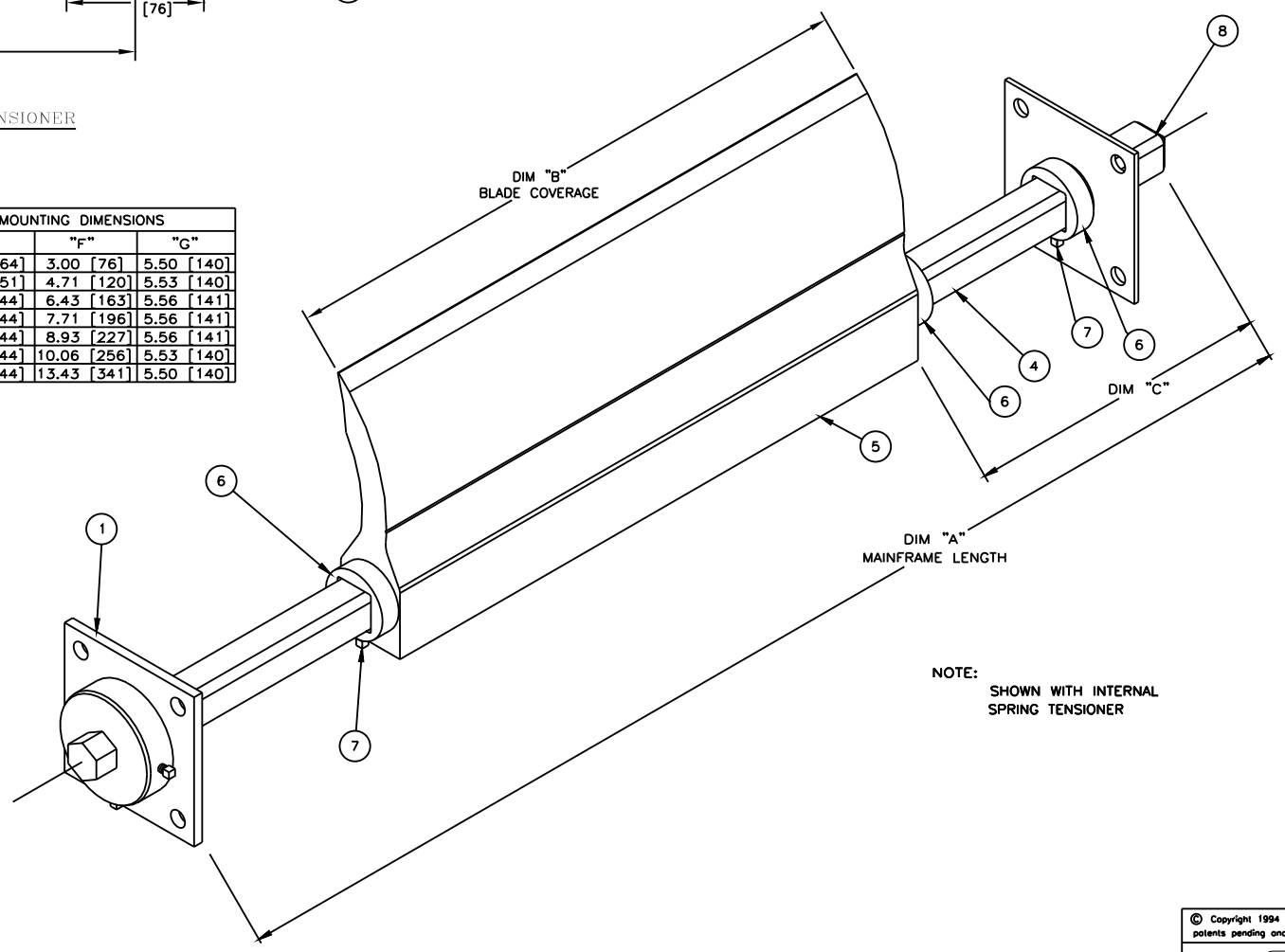


HUB MOUNT TENSIONER

Ø "D"	"E"	"F"	"G"
Ø 6.00 [150]	2.50 [64]	3.00 [76]	5.50 [140]
Ø 9.00 [225]	2.00 [51]	4.71 [120]	5.53 [140]
Ø 12.00 [300]	1.75 [44]	6.43 [163]	5.56 [141]
Ø 14.00 [350]	1.75 [44]	7.71 [196]	5.56 [141]
Ø 16.00 [400]	1.75 [44]	8.93 [227]	5.56 [141]
Ø 18.00 [450]	1.75 [44]	10.06 [256]	5.53 [140]
Ø 24.00 [600]	1.75 [44]	13.43 [341]	5.50 [140]



INTERNAL SPRING TENSIONER



NOTE:
 SHOWN WITH INTERNAL SPRING TENSIONER

NO.	DESCRIPTION	ECN	DATE	BY
B	CHGD LOCATION OF DIM "D" FROM I.D. OF HEAD PULLEY TO O.D. OF BELT	13875	03/18/14	JAH
A	CHGD NOTE/UPDATED CHART	11156	10/07/04	MJB

SALES DRAWING	S33976	MD0207
---------------	--------	--------

TITLE	COMPACT CLEANERS WITH OPTIONAL TENSIONERS	DRAWN CAN	DATE 06/20/94
CHECKED		ENG. JAH	
DATE	10/14/04	APPROVED	
DATE	10/14/04	SCALE	SCALE

© Copyright 1994 Martin Engineering. All rights reserved. Covered by U.S. and foreign patents pending and issued. ® and TM indicate trademarks of Martin Engineering.

MARTIN ENGINEERING-USA
 NEPONSET, IL USA

