

Martin® QC1™ Pre-Cleaner with Metal Tipped Blade

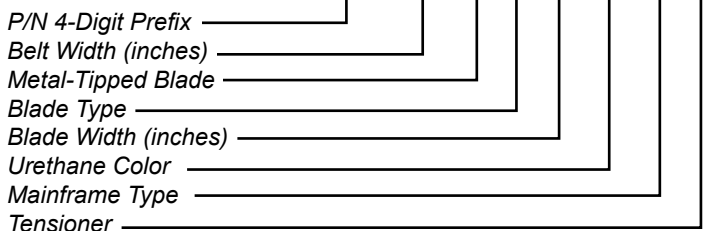


The [Martin® QC1™ Pre-Cleaner with Metal Tipped Blade](#) provides maximum durability and performance across a wide range of duties and applications. This sturdy cleaner features a tungsten carbide tip blade that lasts 2 to 3 times longer than conventional urethane blades.

The Martin® QC1™ Pre-Cleaner with Metal Tipped Blade are available with either a Martin® Twist Tensioner or a Martin® Spring Tensioner to maintain proper cleaning pressure while minimizing the need for adjustment.

NOMENCLATURE

QC1H - XX M X XX XX X X



BLADE TYPE

- 0:** No Blades
- T:** Mild Steel TC Tipped
- C:** Corrosion Resistant TC Tipped

URETHANE COLOR

- OR:** Orange
- BR:** Brown
- CL:** Tan
- GR:** Green
- NB:** Navy Blue

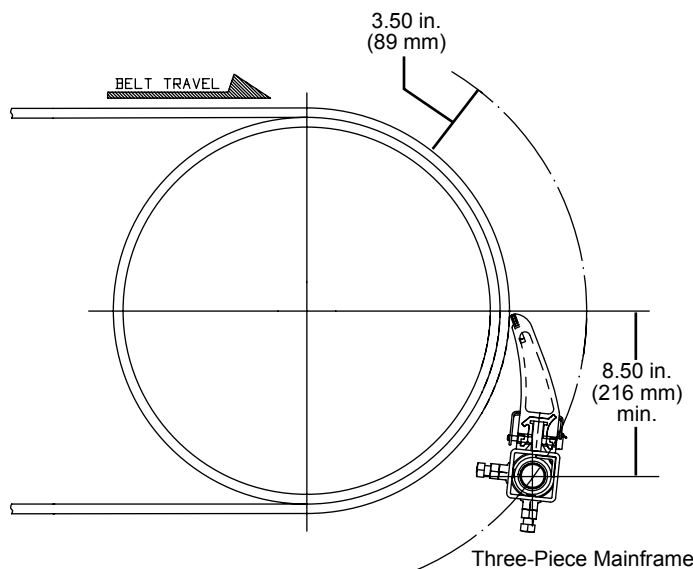
MAINFRAME TYPE

- P:** Painted
- S:** Stainless Steel

TENSIONER

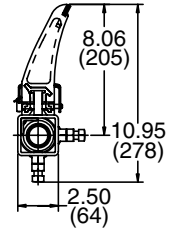
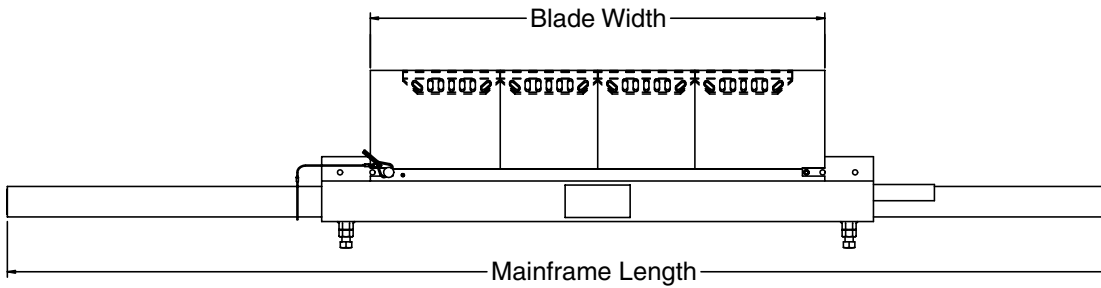
- 0:** No Tensioner
- A:** Stainless Steel Martin® Twist Tensioner
- B:** Stainless Steel Martin® Spring Tensioner
- T:** Martin® Twist Tensioner
- S:** Martin® Spring Tensioner

MOUNTING LOCATION



The Martin® QC1™ Pre-Cleaner with Metal Tipped Blade should NOT be used on belts with mechanical fasteners. Serious belt damage will result.

TECHNICAL DATA SHEET

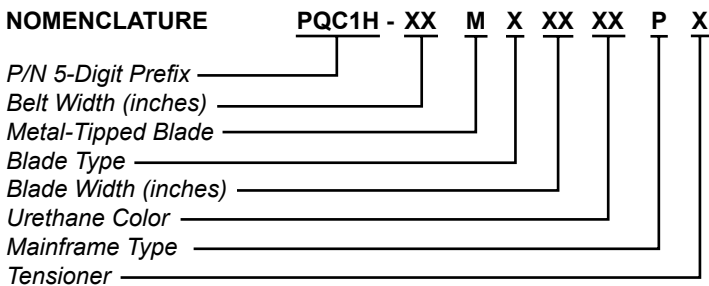


MARTIN® QC1™ CLEANER HD WITH METAL TIPPED BLADE DIMENSIONS — in. (mm)

Belt Width in. (mm)	Mainframe Length in. (mm)	Blade Width Belt Width Less 8" in. (mm)	Blade Width Belt Width Less 2" in. (mm)
18 (400-500)	44 (1118)	—	16 (406)
24 (500-650)	50 (1270)	16 (406)	22 (559)
30 (650-800)	62 (1575)	22 (559)	28 (711)
36 (800-1000)	68 (1727)	28 (711)	34 (864)
42 (1000-1200)	74 (1880)	34 (864)	40 (1016)
48 (1200-1400)	80 (2032)	40 (1016)	46 (1168)
54 (1400-1600)	86 (2184)	46 (1168)	52 (1321)
60 (1600-1800)	98 (2489)	52 (1321)	58 (1473)
66 (1600-1800)	104 (2642)	58 (1473)	64 (1626)
72 (1800-2000)	110 (2794)	64 (1626)	70 (1778)
84 (2000-2200)	123 (3124)	76 (1930)	82 (2083)
90 (2000-2200)	129 (3277)	82 (2083)	88 (2235)
96 (2200-2400)	135 (3429)	88 (2235)	94 (2388)

Note: Dual Tensioners are required for belt widths 54 in. (1400 mm) and greater.

NOMENCLATURE



MOUNTING LOCATION

Pulley Diameter in. (mm)*	X Dimension in. (mm)
12 to 15 (300 to 375)	4.0 (102)
16 (400)	3.5 (89)

*Includes lagging and belt.

BLADE TYPE

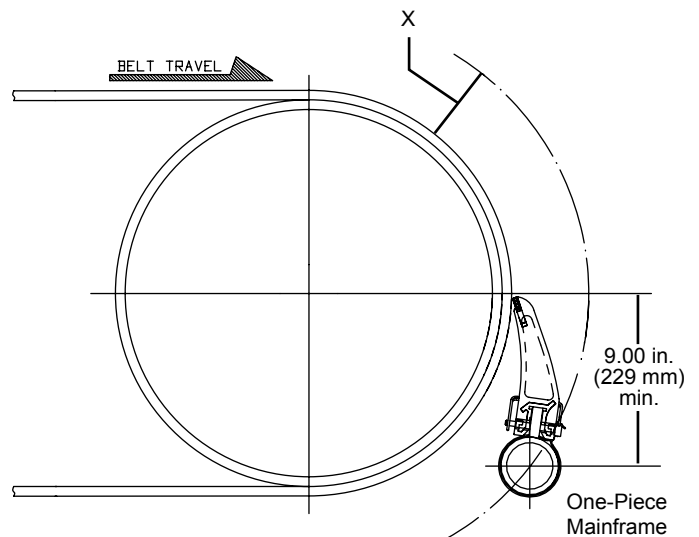
- 0:** No Blades
- T:** Mild Steel TC Tipped
- C:** Corrosion Resistant TC Tipped

TENSIONER

- 0:** No Tensioner
- T:** Martin® Twist Tensioner
- S:** Martin® Spring Tensioner

URETHANE COLOR

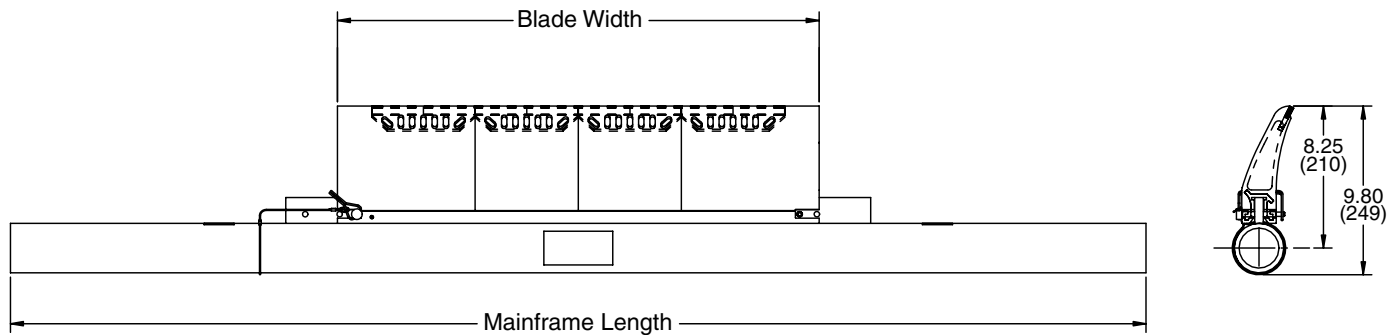
- OR:** Orange
- BR:** Brown
- CL:** Tan
- GR:** Green
- NB:** Navy Blue



Problem Solved™ GUARANTEED!

Form No. L3823-08/12
© Martin Engineering Company 2010, 2012

TECHNICAL DATA SHEET



MARTIN® QC1™ CLEANER WITH METAL TIPPED BLADE DIMENSIONS -- in. (mm)

Belt Width in. (mm)	Mainframe Length in. (mm)	Blade Width Belt Width Less 8" in. (mm)	Blade Width Belt Width Less 2" in. (mm)
18 (400-500)	48 (1219)	–	16 (406)
24 (500-650)	54 (1372)	16 (406)	22 (559)
30 (650-800)	60 (1524)	22 (559)	28 (711)
36 (800-1000)	66 (1676)	28 (711)	34 (864)
42 (1000-1200)	72 (1829)	34 (864)	40 (1016)
48 (1200-1400)	78 (1981)	40 (1016)	46 (1168)
54 (1400-1600)	84 (2134)	46 (1168)	52 (1321)
60 (1600-1800)	90 (2286)	52 (1321)	58 (1473)
66 (1600-1800)	96 (2438)	58 (1473)	64 (1626)
72 (1800-2000)	102 (2591)	64 (1626)	70 (1778)
78 (1800-2000)	108 (2743)	70 (1778)	76 (1930)
84 (2000-2200)	114 (2896)	76 (1930)	82 (2083)

Note: Dual Tensioners are required for belt widths 54 in. (1400 mm) and greater.

FREQUENTLY ASKED QUESTIONS

My Pre-Cleaner keeps flipping through.

The mounting location may be too far away from the belt. Relocate to the proper dimension. Replace the mainframe if it is bent.

My Pre-Cleaner is wearing more in the center of the blade.

The blade is too wide for this application. Replace with a shorter length blade.

ACCESSORIES

Part	P/N
Martin® Steel Inspection Door	CYA-1218
Martin® Hanger Mount Standard Assembly	27382



Martin Engineering USA

One Martin Place
Neponset, IL 61345-9766 USA
800 544 2947 or 309 852 2384
Fax 800 814 1553
www.martin-eng.com

**COMPANY WITH
QUALITY SYSTEM
CERTIFIED BY DNV
= ISO 9001:2008 =**

Problem Solved™ GUARANTEED!

Form No. L3823-08/12
© Martin Engineering Company 2010, 2012