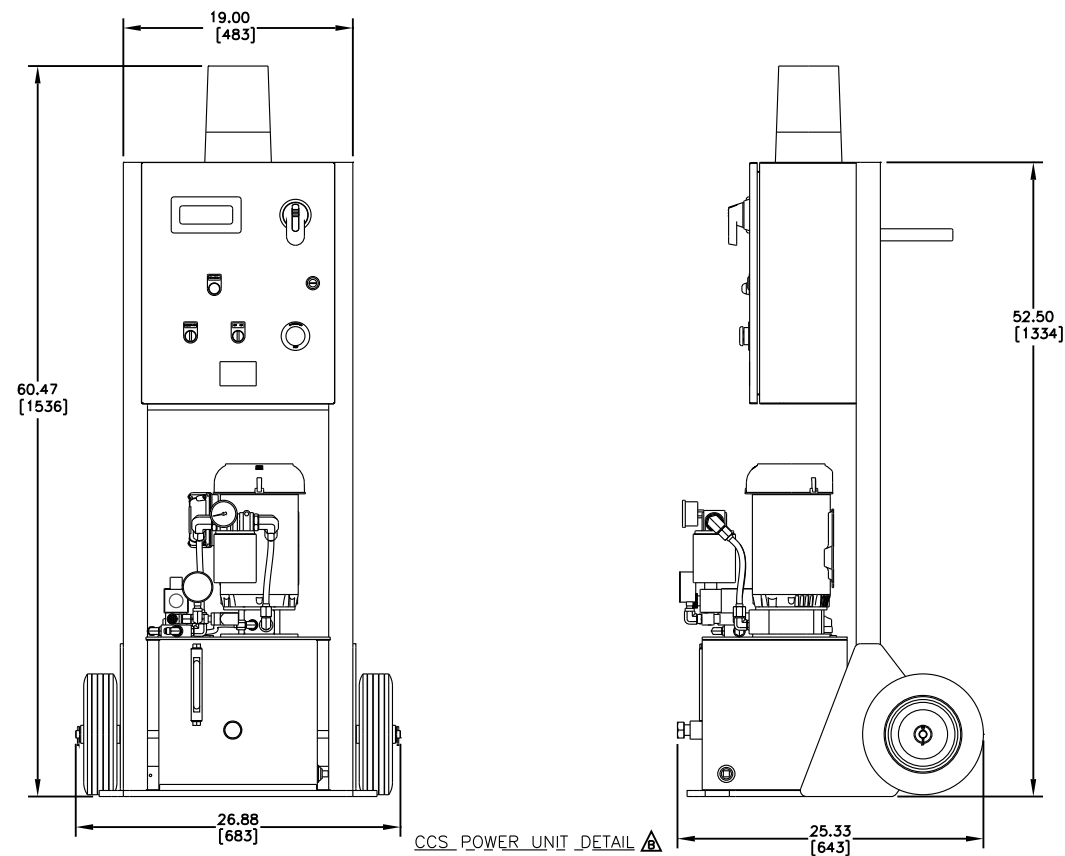


VIEW "A-A" FROM SHEET 1 (36.00 BELT SHOWN)



PART NUMBER	DIM "A"	DIM "B"
CCS-24XXXXX	31.00	34.00
CCS-30XXXXX	37.00	40.00
CCS-36XXXXX	43.00	46.00
CCS-42XXXXX	49.00	52.00
CCS-48XXXXX	55.00	58.00
CCS-54XXXXX	61.00	64.00
CCS-60XXXXX	67.00	70.00
CCS-66XXXXX	73.00	76.00
CCS-72XXXXX	79.00	82.00

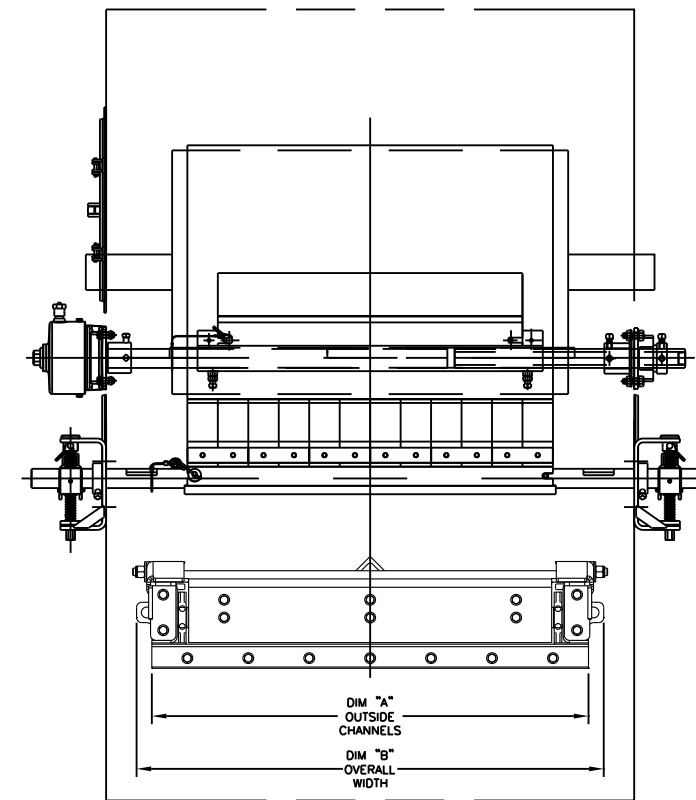
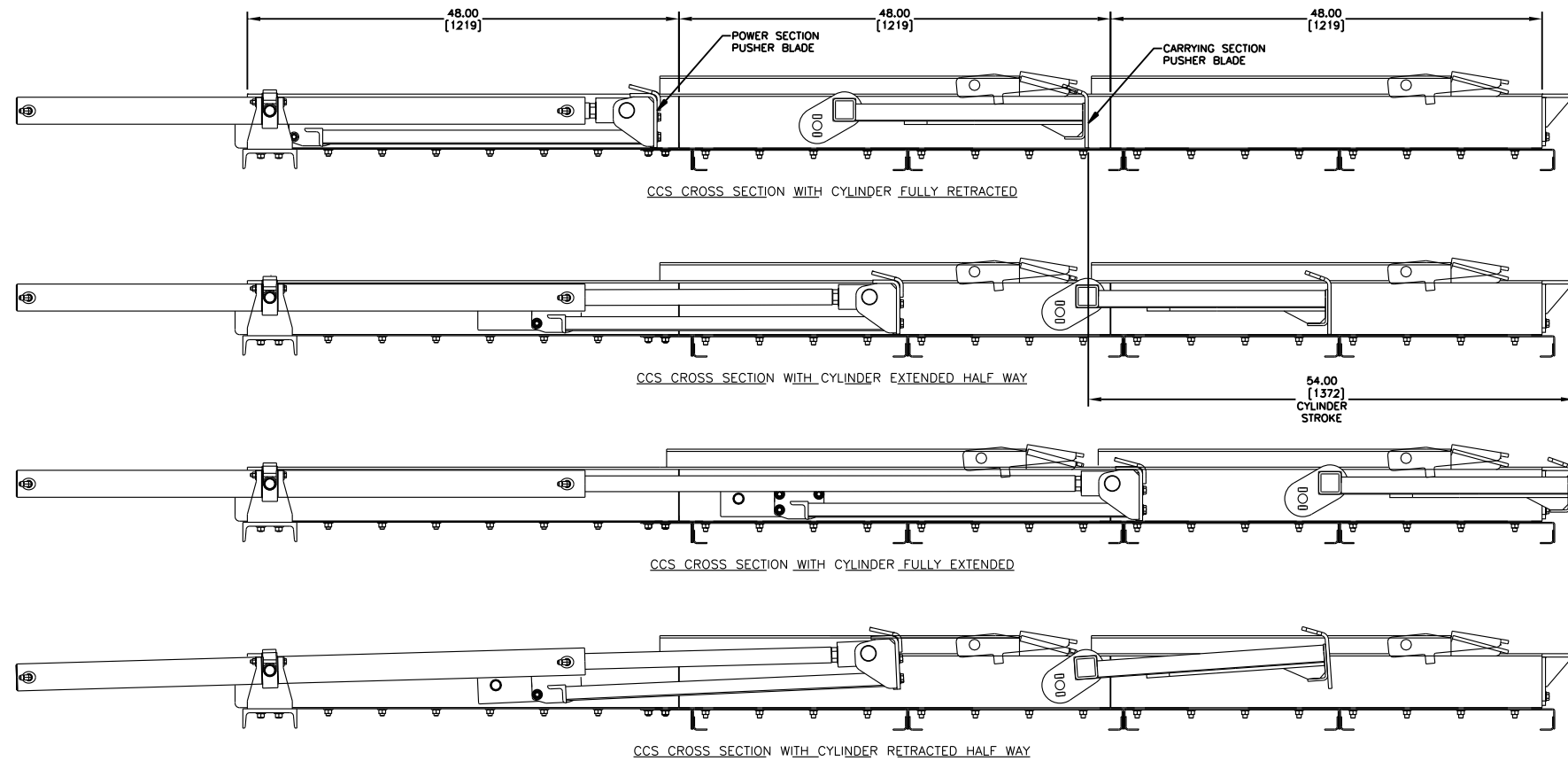
▲ ▲

© Copyright 2009 Martin Engineering. All rights reserved. Covered by U.S. and foreign patents pending and issued. ® and TM indicate trademarks of Martin Engineering.

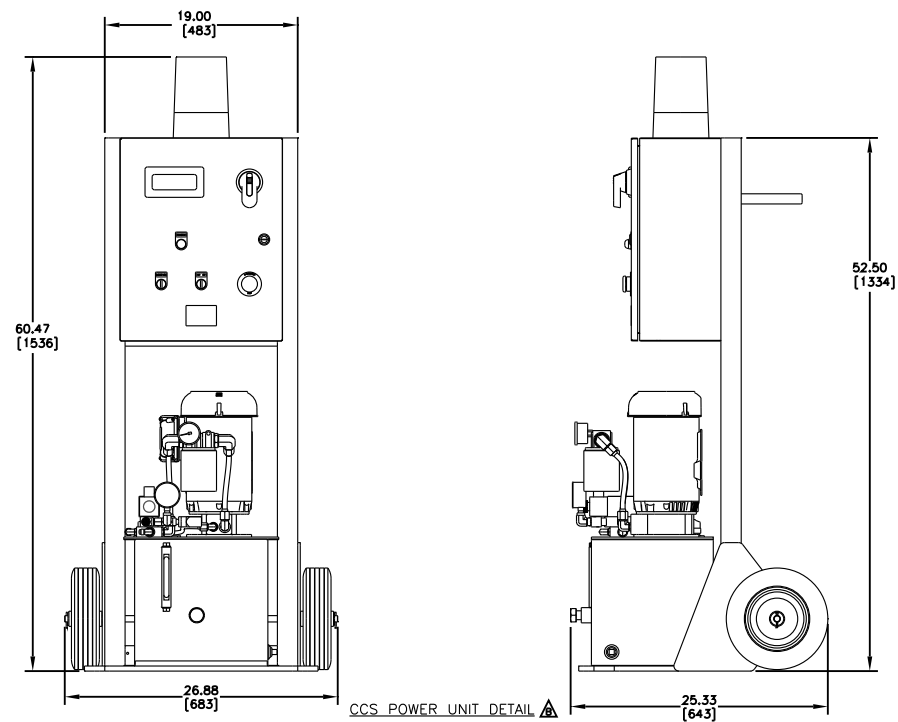
MARTIN ENGINEERING
NEPONSET
ILLINOIS
USA

TITLE		CARRYBACK CAPTURE SYSTEM WITH SQC2™ AND H2O4000 CLEANERS		DRAWN RND	DATE 03/25/10
NO.		DESCRIPTION	ECN	DATE	BY
SALES DRAWING		MDO804		S50074	SCALE 1/8
REVISION		MDO804		S50074	SCALE 1/8

S50074



VIEW "A-A" FROM SHEET 1 (36.00 BELT SHOWN)



PART NUMBER	DIM "A"	DIM "B"
CCS-24XXXXX	31.00	34.00
CCS-30XXXXX	37.00	40.00
CCS-36XXXXX	43.00	46.00
CCS-42XXXXX	49.00	52.00
CCS-48XXXXX	55.00	58.00
CCS-54XXXXX	61.00	64.00
CCS-60XXXXX	67.00	70.00
CCS-66XXXXX	73.00	76.00
CCS-72XXXXX	79.00	82.00



SHEET 2 OF 2

© Copyright 2009 Martin Engineering. All rights reserved. Covered by U.S. and foreign patents pending and issued. ® and ™ indicate trademarks of Martin Engineering.

		NEPONSET ILLINOIS USA				
		TITLE: CARRYBACK CAPTURE SYSTEM WITH SQC2™ AND H2O4000 CLEANERS DRAWN: RND DATE: 03/25/10 CHECKED: JEP DATE: 03/26/10 APPROVED: JEP DATE: 03/29/10 SCALE: 1/8				
NO.	DESCRIPTION	ECN	DATE	BY	SALES DRAWING	S50074
AutoCAD	REVISION				M00804	

B	(SHT 1 & 2) PICTORALLY UPDATED / (SHT 1) CHGD P/N FROM DR-003000-xxx TO DR-003000-xxx-C IN BOM	13846	02/24/14	MJB
A	(SHT 1) CHGD BELT WIDTH +6.00 TO +2.00 / (SHT 2) REMOVED 2.00 FROM DIMS "A" & "B"	12958	11/22/10	JAP