

PRIMARY CLEANER

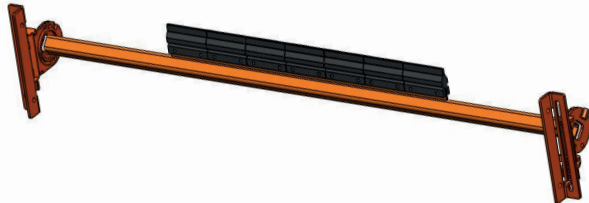


The **Martin® IndoClean Primary Cleaner** is a new evolution in belt cleaner technology designed to help your operation achieve a higher level of productivity while simultaneously reducing costs! It is guaranteed to provide you with the highest performance and the lowest cost of ownership of any urethane precleaner.

FEATURES & BENEFITS

- Manufactured with Martin's unique Constant Angle Radial Pressure (CARP) technology, its curved blade simply cleans the belt better, minimizing carryback.
- Martin re-engineered the manufacturing process, streamlining it to be faster and more efficient, which means your cost to purchase is lower.
- The overall cost of maintenance is much less because the blades last longer
- Segmented PU blades arrangement is easy to stock, service and maintenance
- Engineered tensioner to ensure optimum blade life.

SECONDARY CLEANER



The **Martin® IndoClean Secondary Cleaner** incorporates individually-cushioned tungsten carbide blades for effective cleaning without risk to belt, splice or blade. Installed in the secondary cleaner position, the Martin® IndoClean secondary blade buffers cushion impact and maintains cleaning pressure.

FEATURES & BENEFITS

- Rugged belt cleaner construction withstands punishing applications
- Rubber buffers maintain cleaning pressure while deflecting to allow splices to pass.
- Compact secondary belt cleaner design allows installation in close quarters; narrow profile resists material buildup.
- Rubber buffers allow for reversal of belt direction without damage to belt.

SPECIFICATIONS

| Belt Width | Belt Speed | Pulley Diameter |
|---------------|---------------|-----------------|
| up to 2000 mm | up to 3.5 m/s | up to 650mm |

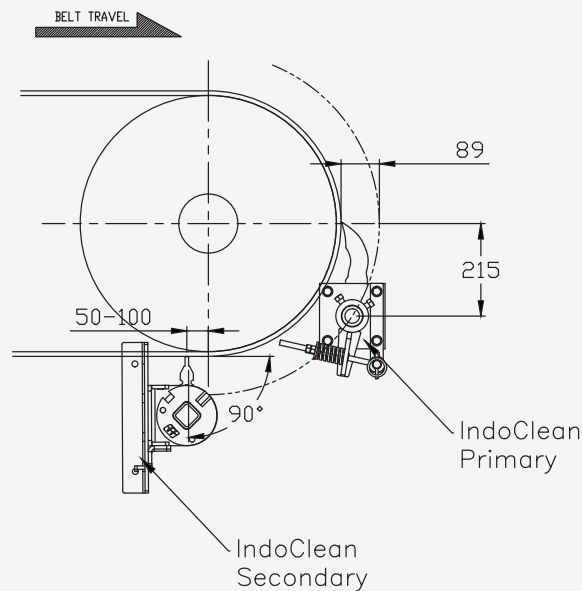
For other application specifications, please consult with Martin representative.

DIMENSIONS


| Belt Width (mm) | IndoClean Primary P/N | IndoClean Secondary P/N | Blade Width (mm) | Mainframe Length (mm) |
|-----------------|-----------------------|-------------------------|------------------|-----------------------|
| 18"(450) | BINC1ICP1812O2TS | BINC2ICS1812MRPT | 300 | 1500 |
| 24"(600) | BINC1ICP2418O2TS | BINC2ICS2418MRPT | 450 | 1650 |
| 30"(750) | BINC1ICP3024O2TS | BINC2ICS3024MRPT | 600 | 1800 |
| 36"(800) | BINC1ICP3630O2TS | BINC2ICS3630MRPT | 750 | 1950 |
| 42"(1000) | BINC1ICP4236O2TS | BINC2ICS4236MRPT | 900 | 2100 |
| 48"(1200) | BINC1ICP4842O2TS | BINC2ICS4842MRPT | 1050 | 2250 |
| 54"(1400) | BINC1ICP5448O2TS | BINC2ICS5448MRPT | 1200 | 2400 |
| 60"(1600) | BINC1ICP6054O2TS | BINC2ICS6054MRPT | 1350 | 2750 |
| 72"(1800) | BINC1ICP7266O2TS | BINC2ICS7266MRPT | 1650 | 3050 |
| 78"(2000) | BINC1ICP7872O2TS | BINC2ICS7872MRPT | 1800 | 3200 |

Note: Dual Tensioners are required for belt widths (1200 mm) and greater.

MOUNTING LOCATION



MARTIN® HIGH-PERFORMANCE URETHANES

| Urethane Color | Application Description | Temperature Range |
|---|---|-------------------|
|  | Orange Standard Martin® Urethane is suitable for most belt cleaner applications, including abrasive conditions | Up to 70°C |

For higher temperature application, please consult with Martin representative.