

Martin® Hurricane Air cannon

The Martin® Hurricane Air Cannon with its new valve concept simplifies installation and maintenance.

This positive-acting valve, which is activated by a positive surge of air sent by a solenoid valve delivers more force output and uses less air than an comparable Martin® XHV air cannon.

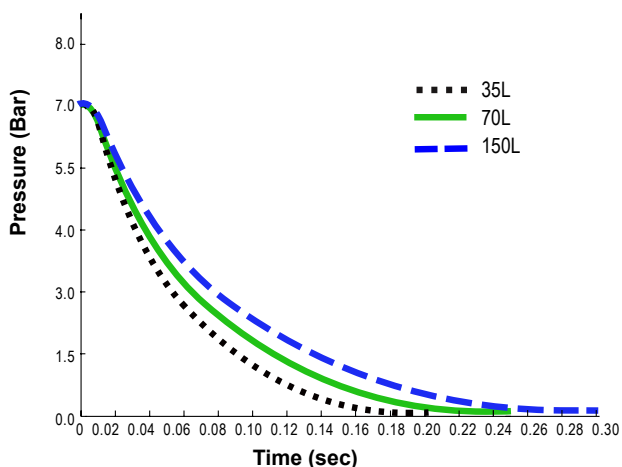


Features

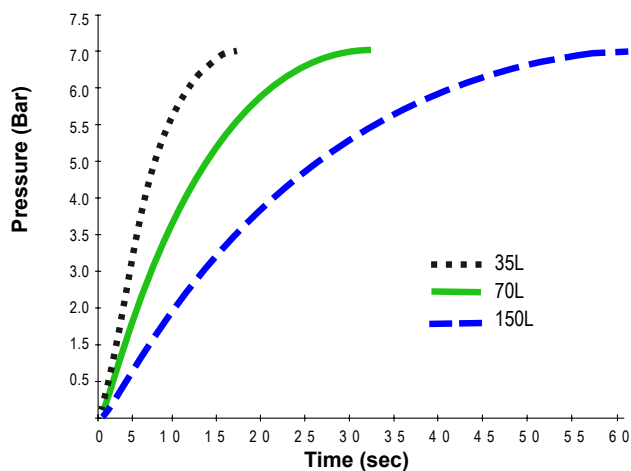
- **More force output**
Working pressure up to 10 bar possible
- **One-step maintenance**
Complete valve can be removed without dis-mounting of the tank
- **Suitable for high-temperature applications**
High temperatures up to +150°C and also low temperatures up to -30°C possible - with thermo hood up to -50°C
- **Compact design**

Performance Data

Discharge time at 7 bar operating pressure

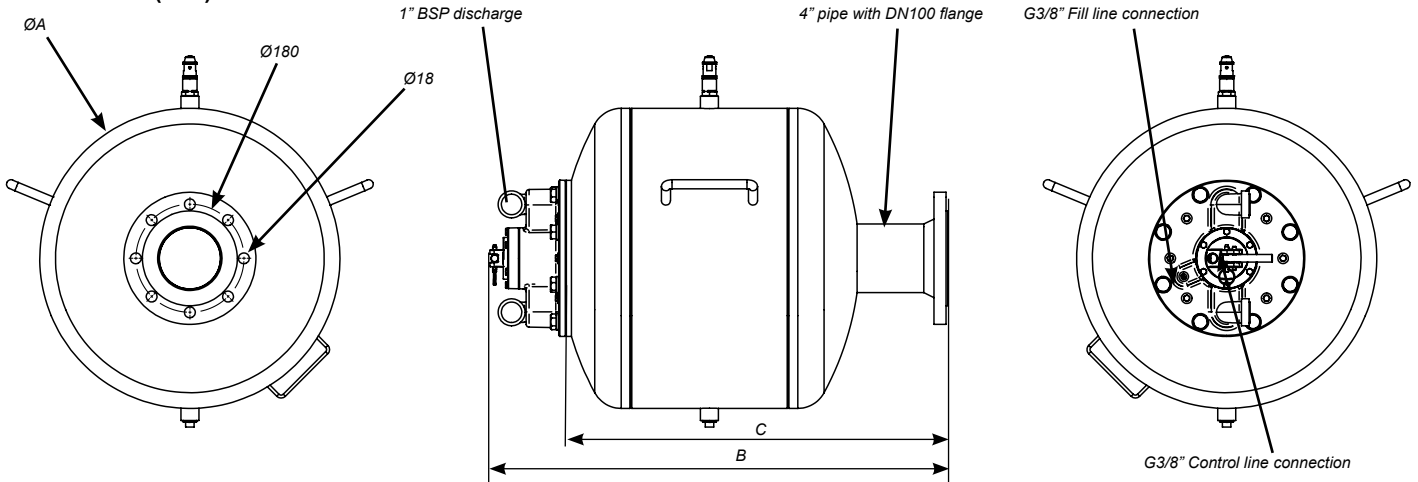


Fill time at 7 bar operating pressure



TECHNICAL DATASHEET

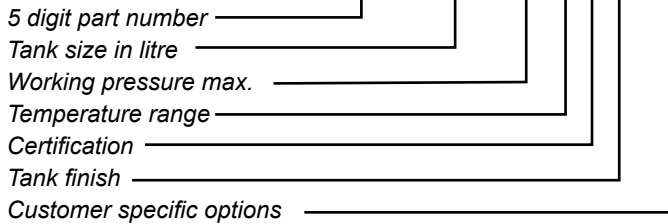
Dimensions (mm)



Modell	Part no.	A mm	B mm	C mm	Weight kg
Hurricane 35L	38005-035-10DCP+E	400	665	541	55
Hurricane 70L	38005-070-10DCP+E	500	713	588	69
Hurricane 150L	38005-150-10DCP+E	600	955	830	104

Part number

38005 - AAA - BB C D E FFFF +E A: Tank size in litre



B: Pressure range
10: 10 bar

C: Temperature range
D: -30°C/+150°C
E: -50°C/+150°C**

D: Certification

C: CE certification
G: RTN (GOST-R) certification

E: Tank finish

P: Powder-coated (RAL 2004)

** -50°C only available with Thermo Hood

Air volume in liter (Norm air*)

Air pressure (Relative) Bar	BB4 - 35 Litre	BB4 - 70 Litre	BB4 - 150 Litre
1	35	70	150
4,0	140	280	600
6,0	210	420	900
8,0	280	560	1250
10,0	350	700	1500

Note

*Norm air (acc. to ISO 2553) rounded at an temperature of 15°C and an air pressure of 1013 hPA

The air cannon tanks are manufactured according to EC guideline 2014/29/EU. For corrosion protection, the air cannon tanks are painted (RAL 3009) from the inside and powder-coated (RAL 2004) from the outside.

Guaranteed engineering and installation of Hurricane air cannons is available from Martin Services. Maintenance is also available from Martin Service Technicians. Certified drawings of air cannon systems installations are available from Martin Engineering.

Additional certifications as RTN (formerly GOST-R), ASME and others are also possible on request.

For further information, contact Martin Engineering at 0044 (0)115 946 4746 or visit our website www.martin-eng.co.uk.



Martin Engineering Germany

In der Rehbach 14
65396 Walluf, Germany
Ph.: 0049 (0)6123 9782 0
Fax 0049 (0)6123 7 55 33
info@martin-eng.eu | www.martin-eng.de

Martin Engineering Ltd

8, Experian Way, NG2 Business Park
Nottingham NG2 1EP Nottinghamshire, UK
Ph.: 0044 (0)115 946 4746
Fax 0044 (0)115 946 5550
info@martin-eng.co.uk | www.martin-eng.co.uk



Subject to change without prior notice. Quality management system certified according to DNV - ISO 9001

Problem Solved™ GUARANTEED!

Form no. L3800UK-09/14
© Martin Engineering Company 2010, 2012