



The Martin® ApronSeal™ Skirting System is a double sealing system that prevents material spills and makes the required maintenance for effective sealing unnecessary.

Martin® ApronSeal™ Skirting System provide double sealing surfaces - the primary seal is clamped to the chute wall whereby the self-aligning secondary seal is positioned externally to provide an effective seal against the dust generated by the material flow and to avoid material loss.

For further specifications and specific selection criteria, please utilise the side sealing system selection list (Publication No. L3636).

Technical data:

Conveyor belt speed maximum	
Standard	3.1 m/s
Standard (High temperature)	3.5 m/s
Heavy-Duty	3.8 m/s
XHD	3.8 m/s
Operation temperature min./max.	
All except H and F	-29 °C - +121 °C
H	-29 °C - +204 °C
F	-29 °C - +135 °C
Material Standard	EPDM rubber (70 and/or 60 Shore A)
Material option "H"	High temperature rubber (80 Shore A)
Material option "F"	Food grade rubber (65 Shore A)

Features

- **High conveyor belt speeds**
Effective sealing even at high conveyor belt speeds
- **Simple installation**
Double-layer system in one-piece design, facilitates the installation
- **High resistance**
Rubber provides good chemical resistance and low wear
- **Joint free**
Can be ordered in 1 meter increments in up to 91 m long pieces, this means that there are no connections even in long conveyor systems
- **Flexible**
Can be used for trough angles of 0 ° to 45 °
- **For conveyor belt rollers**

The Martin® Apron Seal™ can only be used in conjunction with normal conveyor rollers, it is not possible to use garland rollers.

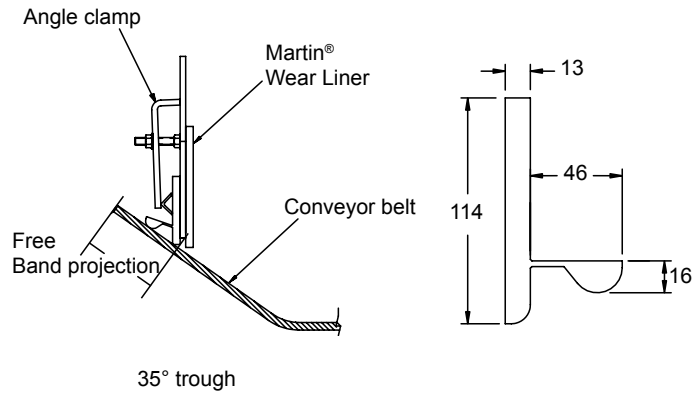
When used with garland rollers, Martin Engineering recommends using the Martin® BOCO™ Side Sealing System, for further information refer to data sheet L3617 or L3915 and L4005.

In addition, Martin Engineering recommends that the Martin® Guardaseal™ Conveyor Belt Support System and/or the Martin® Guardaseal™ Roller Conversion Kit are utilised as described in the L3298-03 and/or L3614 Data Sheet and a Martin® Durt Tamer™ Wear Strip is installed within the chute outlet to allow the side sealing system to be sufficiently protected, also refer to data sheet L3298-04.

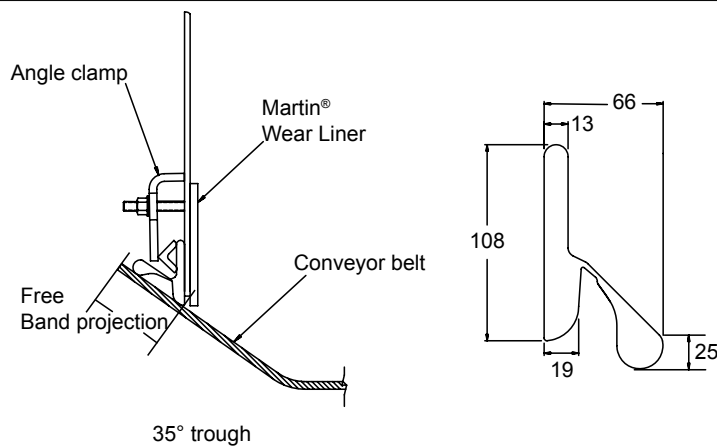
Martin® ApronSeal™ Skirting System - Dimensions

Skirting System - Dimensions [mm]

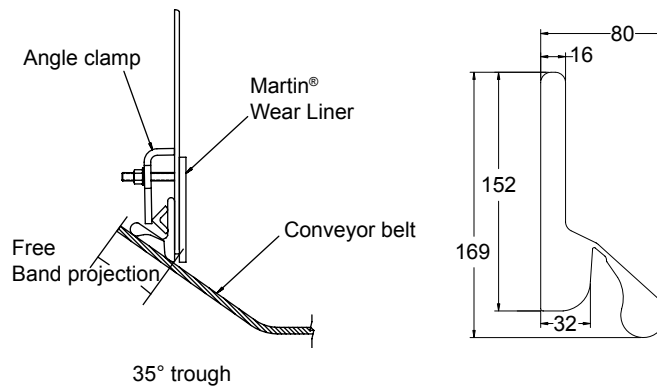
Martin® ApronSeal™ Standard (Part No. 100724)



Martin® ApronSeal™ Heavy-Duty (HD) (Part No. 100723)



Martin® ApronSeal™ XHD (Part-No. 100845)



Minimum required belt projections [mm]

Trough angle	Martin® ApronSeal™		
	Hour	HD	XHD
0°	53	83	95
20°	65	99	111
35°	72	108	120
45°	75	N/A	N/A

ApronSeal - Part No.: XXXXX-aabbc+E*

X	Design
	100723: Heavy-Duty (HD)
	100724: Standard
	100808: Heavy-Duty (HD) extended
	100845: XHD
	100861: Heavy-Duty (HD) Dual-Flip
	100873: Standard Dual-Flip
a**	Shore A
	ØØ: 70
	60: 60
b***	Length in inches
	12: 3.6 m (12 inches)
	24: 7.3 m (24 inches)
c****	Material options
	Ø: Standard
	H: High temperature
	F: Food compatible
	M: MSHA approval
* + E applicable only for Part No. 100723 and 100724 and only in standard material	
** Place holder "a" applicable only for Part No. 100724 and 100808 and only in standard material	
*** Place holder "b" applicable only for Parts No. 100724 in material version "H" or "F"	
**** Place holder "c" - Material version "H" and "F" applicable only for Part No. 100724; Material design "M" is only for Part No. 100723 applicable.	

Accessories - Ordering Information

Description	Part No.
Angle clamp (standard) With installation accessories	32049 32049-H+E
Angle clamp (Low construction method) With installation accessories	32600 32600-H+E
Martin® Apron Seal™ Rapid Clamping Lever With installation accessories	36273+E 36273-H+E
Martin® ApronSeal™ Adhesive Kit (rubber)	34147

Accessories - Ordering Information

Angle brackets are used to secure the Martin® ApronSeal™ to the wall of the chute, at least 229 mm free installation height is required for installation. Angle clamps are 1829 mm long and require a weld mount every 305 mm for fastening.

The installation height of the welding mount depends on the trough angle and the type of Martin® ApronSeal™ used.

To determine the required amount of angle clamps, divide the required length of ApronSeal by the length of the angle clamp.

Example:

A side sealing is required for a 10 meter conveyor belt.

This requires 20 meters of Apron Seal, as sealing is required on both sides of the conveyor belt.

That means that one will require 11 angle clamps:

20 meters sealing length /
1.8 meter of angle clamps Length = 11 units of angle clamps.

An angle clamp has to be therefore halved, since 5.5 clamps are required on each side of the conveyor belt or 12 angle clamps will be ordered.

Instruction for Rapid Clamping Lever

When using the rapid clamping lever in combination with the standard angle clamp (Part No. 32049), the rapid clamping lever must be used with the fitting kit (Part No. 36273-H+E), otherwise the angle clamp cannot be tensioned.



Martin Engineering GmbH

In der Rehbach 14
65396 Walluf, Germany
Tel. +49 6123 97820
Fax +49 6123 75533
info@martin-eng.de | www.martin-eng.de

Martin Engineering Ltd.

8, Experian Way, NG2 Business Park,
Nottingham NG2 1EP, Nottinghamshire, Great Britain
Phone +44 115 946 4746
Fax +44 115 946 5550
info@martin-eng.co.uk | www.martin-eng.co.uk



Subject to technical modifications. Quality management system certified to DNV - ISO 9001