

The Martin® SQC2™ Secondary Belt Cleaner incorporates individually-cushioned tungsten-carbide blades, which are cushioned with rubber buffers, for effective cleaning without risk to belt, splice, or blade.

The rubber buffers of the tungsten-carbide blades cushion impact on the one hand and maintain the required cleaning pressure on the other hand.

Technical data:

| | |
|--------------------------------|--|
| Max. belt speed | 5.1 m/s |
| Belt width | 500 - 3000 mm |
| Mainframe type | painted (RAL 2004) or stainless steel (1.4571) |
| Operating temperature** | -20 °C - +70 °C |
| Bulk material temperature max. | 121°C (depending on blade type) |
| Blade wear size max. | 10 mm |

* For operating temperatures below -20 °C, Martin Engineering can offer suitable heating for the components.
Please contact Martin Engineering for further information.

Available in a wide range of technical designs:

| Design | Part no. |
|--|----------|
| Secondary cleaner with aluminium cartridge For every conventional application within the usage conditions specified here | SQC2 |
| Secondary cleaner without aluminium cartridge For additional usage in explosive areas. | 41605 |
| Secondary cleaner without aluminium cartridge as "Mini" design For use under particularly tight installation conditions | 41641 |

Features

Cushioned Blades

Individually cushioned tungsten carbide blades allow mechanical splices to pass for secure and efficient conveyor belt cleaning.

Built for Tough Conditions

Rugged construction withstands heavy-duty applications, such as high belt speeds and tonnage.

Easy Cartridge Removal

The procedure is simple: remove pin, slide out cartridge, service, and return.
(Only with for version "SQC2" with aluminium cartridge)

Easy Adjustment of Cleaning Pressure

The Martin® SQC2™ tensioner enables simple adjustment of the tension to achieve a good cleaning result even when the blades are worn. The locking pin firmly holds the tensioner in place to keep the tension constant.

Fits in Tight Spaces

The compact design allows installation in confined spaces, especially in the "Mini" version. The narrow blade design prevents material build-up on the blades.

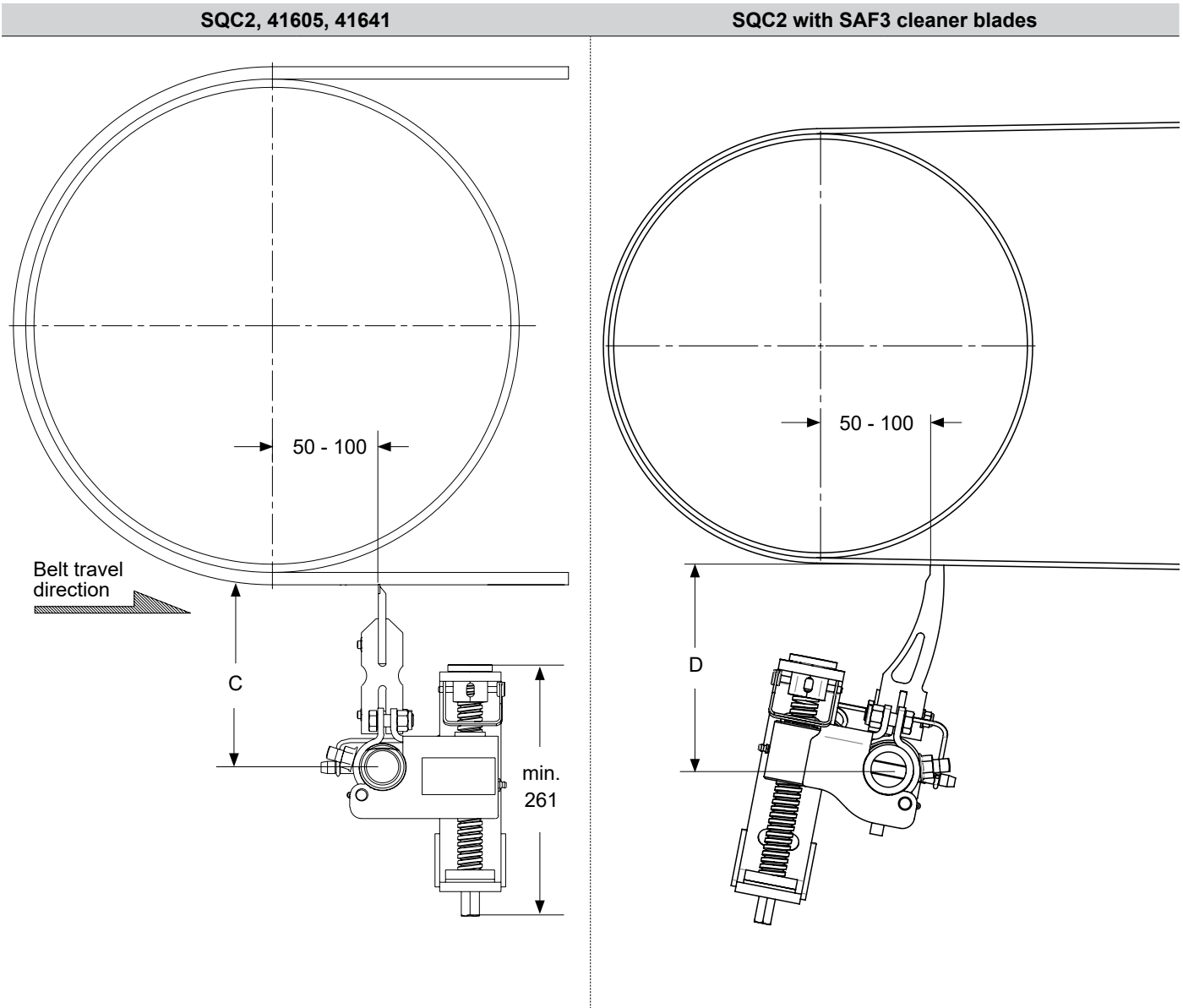
Blades to Match Application

Specify tungsten carbide tips for normal, acidic, or high-impact conditions.

Handles Reversing Belts and Belt Rollback

The cushioning in combination with blade type "R" enables usage in reversing conveyor belts or in belts with high return flow without damaging the conveyor belt.

Martin® SQC2™ Secondary Belt Cleaner - Installation position



Installation dimension

| Part number | DIM C | Part number | DIM D |
|-------------|-------|-------------|-------|
| | [mm] | | [mm] |
| SQC2 | 190 | SQC2-3 | 203 |
| 41605 | 184 | | |
| 41641 | 125 | | |

Application Notes

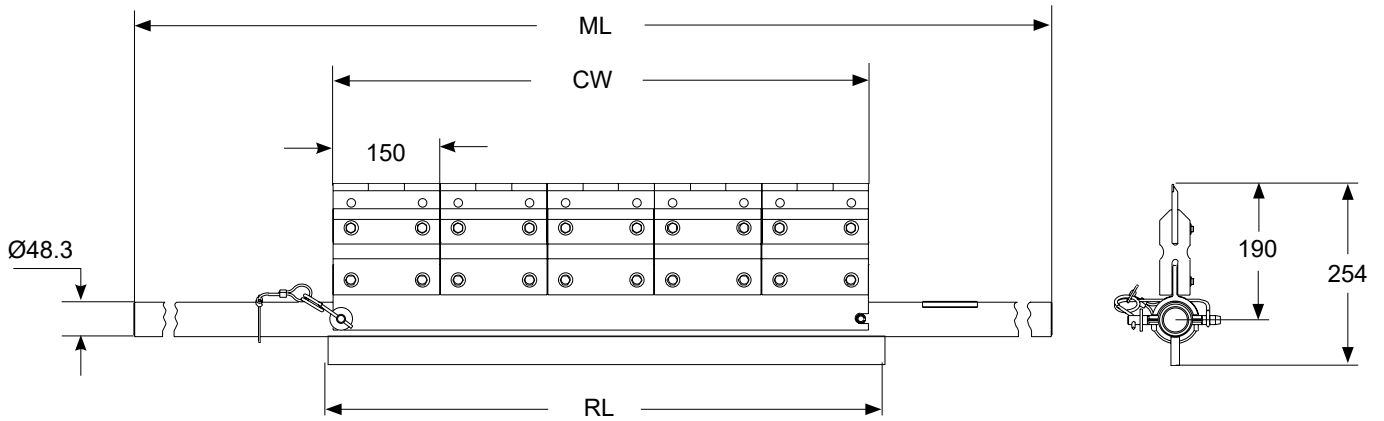
Martin Engineering recommends that the Martin® SQC2™ Secondary Belt Cleaner System be installed so the cleaning blade contacts the belt at a point 50 to 100 mm after the point where the belt leaves the head (discharge) pulley. If obstructions prevent installation at this point, or if additional cleaners are desired, the cleaner should be installed 50 to 100 mm past the point where the belt leaves the support idler.

The tensioner of the SQC2 with SAF-3 cleaner blades can also be installed counter to the belt direction.

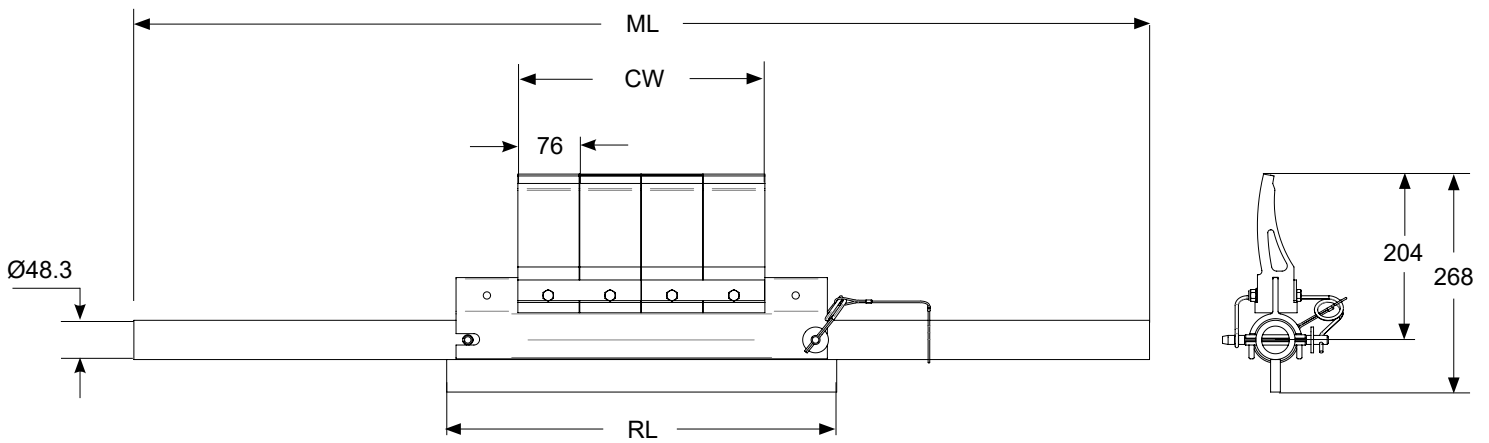
See your Martin Engineering representative for more information, or visit www.martin-eng.co.uk.

Martin® SQC2™ Secondary Belt Cleaner - Dimensions

Part no. SQC2-XXXXXXXXXX+E - Secondary cleaner with aluminium cartridge



Part no. SQC2-XXXXXXXX3X+E -Secondary cleaner with aluminium cartridge and SAF3 blades



Martin® SQC2™ Secondary Belt Cleaner - Dimensions

| Belt width | | SQC2-XXXXXXXXX+E | | | | SQC2-XXXXXX3X+E | | | | ML | | RL | SQC2 | SQC2-3 |
|------------|--------|------------------|------|------------|------|-----------------|------|------------|------|------|------|------|----------|--------|
| | | CW Narrow | | CW Wide | | CW Narrow | | CW Wide | | std. | ext* | | Weight** | |
| | | [in] | [mm] | [in] | [mm] | [in] | [mm] | [in] | [mm] | | | [mm] | [mm] | [mm] |
| 18 | (500) | 12 | 300 | 18 | 450 | 12 | 305 | 18 | 457 | 1250 | 1900 | 480 | 30/33 | 28/29 |
| 24 | (650) | 18 | 450 | 24 | 600 | 18 | 457 | 24 | 610 | 1400 | 2100 | 630 | 35/37 | 31/32 |
| 30 | (800) | 24 | 600 | 30 | 750 | 24 | 610 | 30 | 762 | 1550 | 2200 | 780 | 39/42 | 34/35 |
| 36 | (1000) | 30 | 750 | 35 | 900 | 30 | 762 | 36 | 914 | 1750 | 2400 | 930 | 44/46 | 38/39 |
| 42 | (1200) | 35 | 900 | 41 | 1050 | 36 | 914 | 42 | 1067 | 1900 | 2500 | 1080 | 48/51 | 41/42 |
| 48 | (1400) | 41 | 1050 | 47 | 1200 | 42 | 1067 | 48 | 1219 | 2050 | 2700 | 1230 | 52/55 | 44/45 |
| 54 | (1600) | 47 | 1200 | 53 | 1350 | 48 | 1219 | 54 | 1372 | 2200 | 2800 | 1380 | 57/59 | 47/48 |
| 60 | (1800) | 53 | 1350 | 59 | 1500 | 54 | 1372 | 60 | 1524 | 2350 | 3000 | 1530 | 61/64 | 51/52 |
| 66 | (1900) | 59 | 1500 | 65 | 1650 | 60 | 1524 | 66 | 1676 | 2500 | 3100 | 1680 | 65/68 | 54/55 |
| 72 | (2000) | 65 | 1650 | 71 | 1800 | 66 | 1676 | 72 | 1829 | 2650 | 3300 | 1830 | 70/72 | 57/58 |
| 78 | (2100) | 71 | 1800 | 77 | 1950 | 72 | 1829 | 78 | 1981 | 2800 | 3500 | 1980 | 74/77 | 60/61 |
| 84 | (2200) | 77 | 1950 | 83 | 2100 | 78 | 1981 | 84 | 2134 | 2950 | 3600 | 2130 | 78/81 | 63/64 |
| 90 | (2300) | 83 | 2100 | 89 | 2250 | 84 | 2134 | 90 | 2286 | 3100 | 3700 | 2280 | 83/85 | 66/67 |
| 96 | (2400) | 89 | 2250 | - | - | 90 | 2286 | 96 | 2438 | 3250 | 3900 | 2430 | 87 | 70/71 |

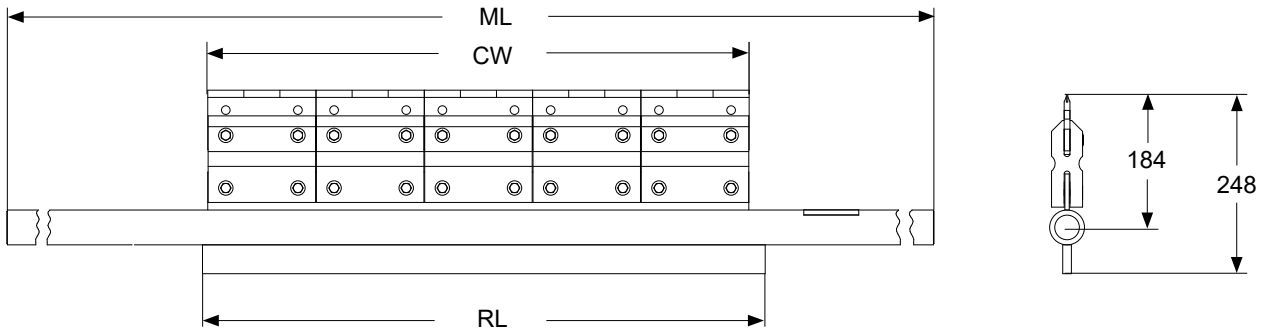
* The specified weights are approximate data and include the tensioner. They apply solely for standard mainframe lengths. Extended mainframes can have added weights of around 1 kg for each 100 mm extension.

Note on narrow and wide cleaning width

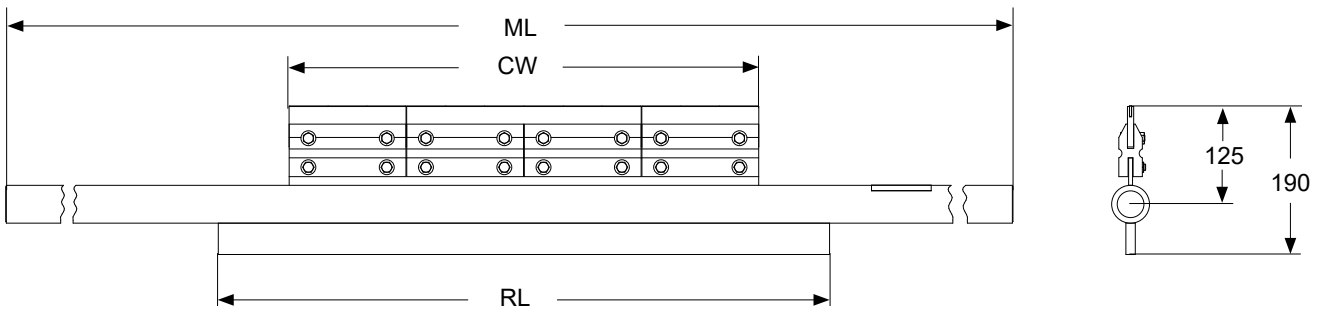
The area of the conveyor belt to be cleaned has to be taken into account when selecting the correct cleaning width. Martin Engineering recommends that the outer cleaner edges should not protrude beyond the area to be cleaned by more than approx. 100 mm because not the entire width of the conveyor belt has to be cleaned and the blades would wear less in the protruding area. This recommendation can only be used as a rough selection criterion. Please contact Marting Engineering in case of questions or problems.

Martin® SQC2™ Secondary Belt Cleaner - Dimensions

Part no. 41605-XXXXXXXXXXXX - Secondary cleaner without aluminium cartridge



Part no. 41641-XXXXXXXXXXXX - Secondary cleaner without aluminium cartridge as "Mini" design



Martin® SQC2™ Secondary Belt Cleaner - Dimensions

| Belt width | | 41605 & 41641 | | | | | | 41605 | 41641 |
|------------|--------|---------------|------|------------|------|------|------|-------|-------|
| | | CW Narrow | | CW Wide | | ML* | RL | | |
| [in] | [mm] | [in] | [mm] | [in] | [mm] | [mm] | [mm] | [kg] | |
| 18 | (500) | 12 | 300 | 18 | 450 | 1300 | - | 28/31 | 26/27 |
| 24 | (650) | 18 | 450 | 24 | 600 | 1450 | - | 32/34 | 28/29 |
| 30 | (800) | 24 | 600 | 30 | 750 | 1600 | - | 35/37 | 30/31 |
| 36 | (1000) | 30 | 750 | 35 | 900 | 1750 | - | 39/41 | 32/33 |
| 42 | (1200) | 35 | 900 | 41 | 1050 | 1900 | - | 42/44 | 34/35 |
| 48 | (1400) | 41 | 1050 | 47 | 1200 | 2050 | 1250 | 51/53 | 41/42 |
| 54 | (1600) | 47 | 1200 | 53 | 1350 | 2200 | 1400 | 55/57 | 43/44 |
| 60 | (1800) | 53 | 1350 | 59 | 1500 | 2350 | 1550 | 59/61 | 46/47 |
| 66 | (1900) | 59 | 1500 | 65 | 1650 | 2500 | 1700 | 63/65 | 49/50 |
| 72 | (2000) | 65 | 1650 | 71 | 1800 | 2650 | 1850 | 67/69 | 51/52 |
| 78 | (2100) | 71 | 1800 | 77 | 1950 | 2800 | 2000 | 71/73 | 54/55 |
| 84 | (2200) | 77 | 1950 | 83 | 2100 | 2950 | 2150 | 75/77 | 57/58 |
| 90 | (2300) | 83 | 2100 | 89 | 2250 | 3100 | 2300 | 79/81 | 60/61 |
| 96 | (2400) | 89 | 2250 | - | - | 3250 | 2300 | 83 | 62 |
| 102 | (2600) | 96 | 2400 | - | - | 3400 | 2600 | 87 | 65 |
| 108 | (2800) | 100 | 2550 | - | - | 3550 | 2750 | 91 | 68 |
| 114 | (2900) | 106 | 2700 | - | - | 3700 | 2900 | 95 | 70 |
| 120 | (3000) | 112 | 2850 | - | - | 3850 | 3050 | 99 | 73 |

* The specified dimensions are the standard frame lengths. Attach the required length in dm to part numbers 41605 and 41641, e.g. 41605-18G12MRPT-15 for a 1500 mm long mainframe. An extended mainframe must not be more than 600 mm longer than the standard mainframe. Refer to the corresponding product drawing for additional specifications.

** The specified weights are approximate data and include the tensioner. They apply solely for standard mainframe lengths. Extended mainframes can have added weights of around 1 kg for each 100 mm extension.

Note on narrow and wide cleaning width

The area of the conveyor belt to be cleaned has to be taken into account when selecting the correct cleaning width. Martin Engineering recommends that the outer cleaner edges should not protrude beyond the area to be cleaned by more than approx. 100 mm because not the entire width of the conveyor belt has to be cleaned and the blades would wear less in the protruding area. This recommendation can only be used as a rough selection criterion. Please contact Marting Engineering in case of questions or problems.

SQC2™ and SQC2™ Mini

| AAAAA-aabbccddeef-gg+E*** | |
|---------------------------|--|
| A | Part number |
| | SQC2: SQC2 with aluminium track 41605: SQC2 without aluminium track 41641: SQC2 without aluminium track as "Mini" design |
| a | Belt width in inches |
| b* | Blade type |
| | C: Stainless-steel plate / TC insert H: Mild steel plate / TC insert R: Structural-steel plate / TC insert S: Stainless-steel plate |
| c | Cleaning width in inches |
| d | Blade buffer type |
| | MR: Standard FR: Flame retardant |
| e** | Mainframe options |
| | P: painted (RAL 2004) E: Extended in length and painted (RAL 2004) C: C5M - painted (RAL 2004) A4: stainless steel (1.4571) EC: Extended in length and C5M - painted (RAL 2004) E4: Extended in length and stainless steel (1.4571) |
| f | Tensioner options |
| | Ø: without tensioner T: with tensioner S: stainless steel (1.4571) |
| g** | Extended mainframe option |
| | Mainframe extension specified in dm |

* Index b: Part number 41641 only available with blade option "H" and "R".

** Index e: Options "E", "EC" and "EA4" are only available for part number SQC2.

Index g: Cannot be used for part number SQC2. Attach the required length in dm to part numbers 41605 and 41641 - Index g - e.g. 41605-18G12MRPT-15 for a 1500 mm long mainframe. Please contact Martin Engineering for extended mainframes which are more than 600 mm longer than the standard. Refer the corresponding product designation for additional specifications on the extended mainframes.

*** Option "+E" can only be used for part number "SQC2".

SQC2™ with SAF3 - blades

| SQC2-aabccddeef+E | |
|-------------------|---|
| a | Belt width in inches |
| b | Blade type |
| | <p>T: Urethane blades with TC insert</p> <p>U: Urethane blades</p> |
| c | Cleaning width in inches |
| d | Blade colour |
| | <p>O3: Orange (standard)</p> <p>B3: Brown (resistant to chemicals)</p> <p>G3: Green (resistant to temperature)</p> |
| e | Mainframe options |
| | <p>P: painted (RAL 2004)</p> <p>E: Extended in length and painted (RAL 2004)</p> <p>C: C5M - painted (RAL 2004)</p> <p>A4: stainless steel (1.4571)</p> <p>EC: Extended in length and C5M - painted (RAL 2004)</p> <p>E4: Extended in length and stainless steel (1.4571)</p> |
| f | Tensioner options |
| | <p>Ø: without tensioner</p> <p>T: with tensioner</p> <p>S: stainless steel (1.4571)</p> |

| Spare blades | | | |
|--------------|--------------------------|---|-----------------------------|
| Part number | Blade insert | Scope of application | Can be used for part number |
| SC-XXC+E | Tungsten carbide | Rust resistant | SQC2, 41605 |
| SC-XXG+E | Tungsten carbide | Acid-resistant with mechanical connections | SQC2, 41605 |
| SC-XXH+E | Tungsten carbide | Acid-Resistant | SQC2, 41605 |
| SC-XXR+E | Tungsten carbide | Reversing belts with mechanical connections | SQC2, 41605 |
| SC-XXS+E | stainless steel (1.4571) | Rust resistant | SQC2, 41605 |
| SCM-MRR+E | Tungsten carbide | Reversing belts with clips | 41641 |
| 38718-TXX | Tungsten carbide | General usage | SQC2 |
| 38718-UXX | - | General usage | SQC2 |

SC-aaX+E

a Blade buffer type

MR: Standard

FR: Flame retardant

38718-Xaa

a Blade colour

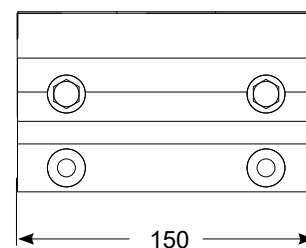
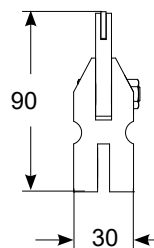
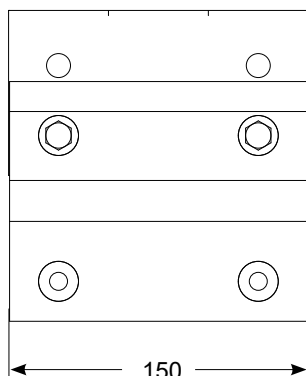
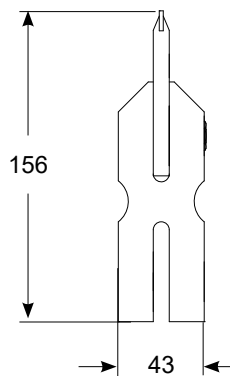
ØØ: Orange (standard)

BR: Brown (resistant to chemicals)

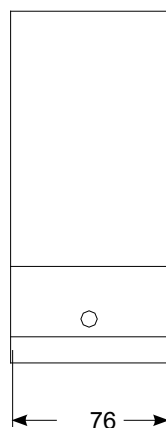
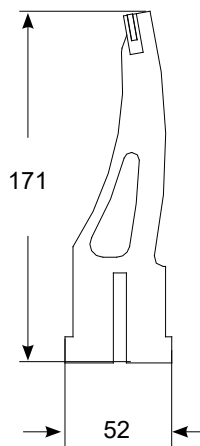
GR: Green (resistant to temperature)

Part no. SC-XXX+E

Part no. SCM-MRR+E

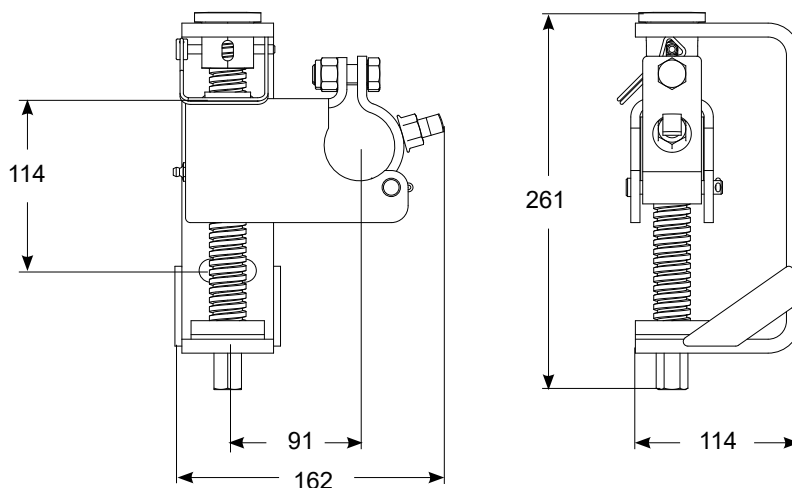


Part no. 38718-XXX

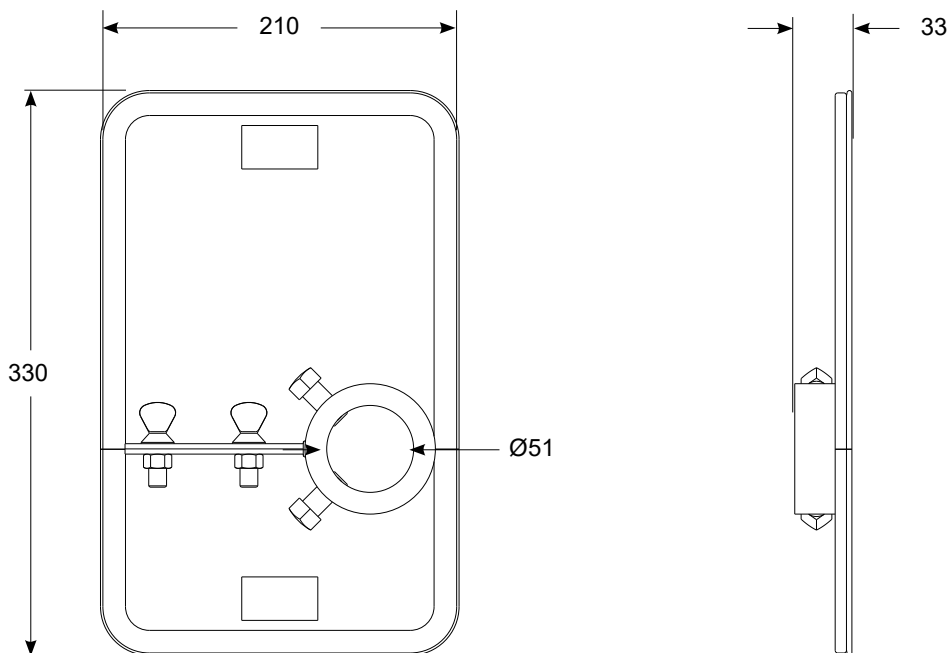


| Accessories | Part no. | Weight |
|--------------------------------|------------|--------|
| | | [kg] |
| MARTIN® SQC2™ inspection door | 38014-SQC | 5.0 |
| MARTIN® SQC2™ tensioner (pair) | SQC2-35701 | 10.8 |
| Martin® Hanger Mount (pair) | 27382+E | 10.0 |

Martin® SQC2™ tensioner - part no. SQC2-35701



Martin® SQC2™ inspection door - part no. SQC2-35701



Martin Engineering GmbH
 In der Rehbach 14
 65396 Walluf, Germany
 Tel. +49 6123 97820
 Fax +49 6123 75533
 info@martin-eng.eu | www.martin-eng.de

Subject to technical modifications. Quality management system certified by DNV - ISO 9001

