

The Martin® QC™ #1 XHD Pre-Cleaner was developed for the toughest application conditions.

The economically efficient system consisting of pre-cleaner and tensioner combines efficient cleaning with a long wear life and minimum maintenance effort.

The use of different urethane blades makes this pre-cleaner suitable for normal use as well as for applications with high temperatures or highly abrasive conditions.

Technical data:

Max. belt speed	6 m/s	
Head pulley diameter*	400 - 750 mm	
Belt width	500 - 3000 mm	
Mainframe type	painted (RAL 2004) or stainless steel (1.4571)	
Operating temperature**	-20 °C - +70 °C	
Max. bulk material temperature*** all urethanes except green green	+70 °C +150 °C (intermittently up to +177 °C)	
Blade design – solid		for flat head pulleys, mechanical joints
Blade design – slitted		for a clean scraping edge
Blade design – segmented		for crowned head pulleys central load, for even wear
Blade design – slitted and segmented		for crowned head pulleys central load mechanical joints

Features

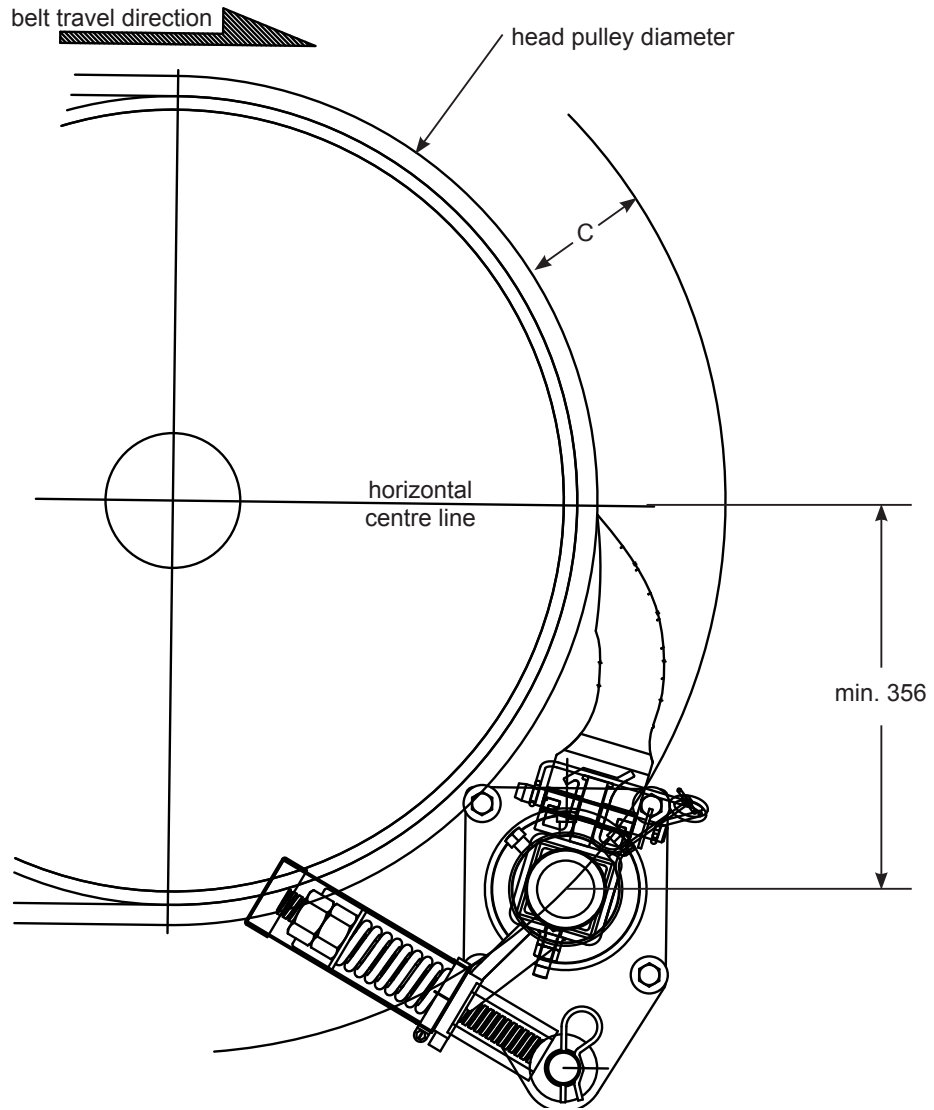
- Reduced maintenance effort**
Fast replacement of the blade – no tools required, simply remove and reinstall a single lock pin.
- Even cleaning results**
The blade with patented CARP design and the tensioners used provide efficient cleaning during the entire wear life of the blade, particularly with high belt speeds and/or mechanical joints.
- Robust and flexible design**
The robust mainframe is reinforced with welded on sheet material. The aluminium seating of the blade ensures safe fixing to the mainframe. For larger belt widths (> 2000 mm), the telescopic mainframe can be flexibly adapted to different local conditions.

* For head pulley diameters over 750 mm please contact Martin Engineering.

** For operating temperatures below -20 °C, Martin Engineering can offer suitable heating for the components. Please contact Martin Engineering for further information.

*** Further specifications see data sheet L3375.

Martin® QC™ #1 XHD Pre-Cleaner - Installation Position

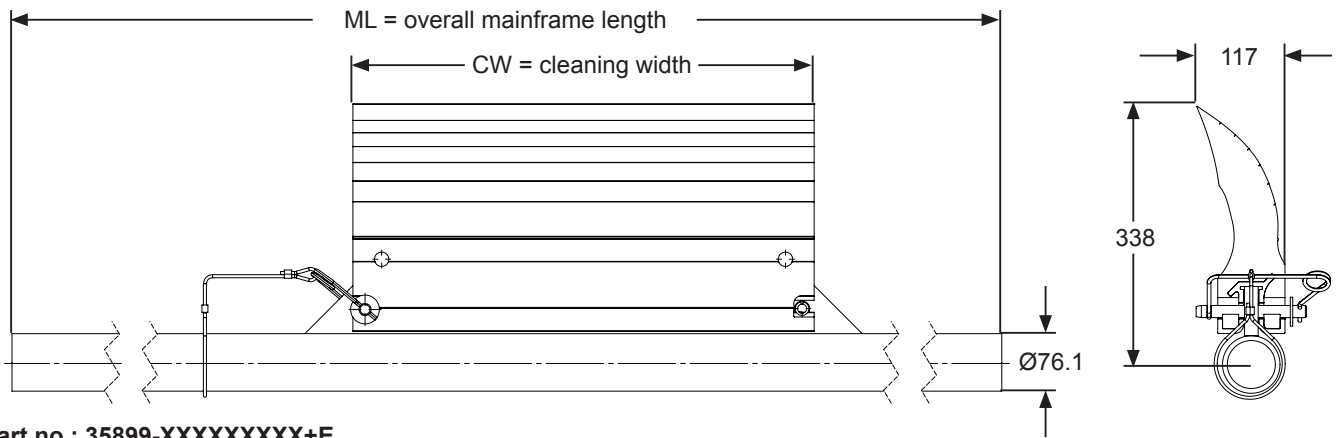


Installation position

Head pulley diameter*	C = distance
[mm]	[mm]
400	164
500	140
600	133
700	127
750	120

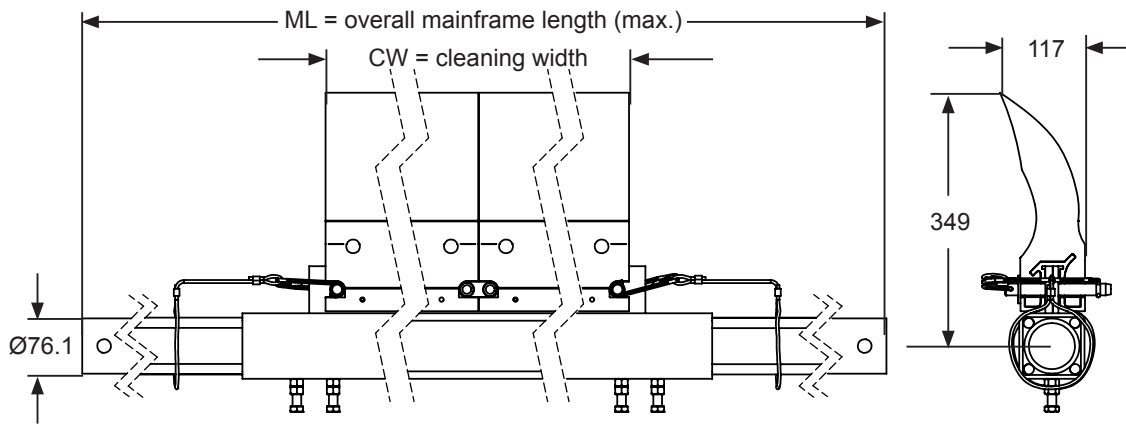
* including rubber coating and conveyor belt

Martin® QC™ #1 XHD Pre-Cleaner - Dimensions



Part no.: 35899-XXXXXXXXX+E

Belt width		CW narrow		CW wide		ML	Cleaner weight without tensioner	Tensioner design	
[in]	[mm]	[in]	[mm]	[in]	[mm]	[mm]	[kg]	single	dual
18	(500)	-	-	12	305	1676	34	X	-
24	(650)	12	305	18	457	1829	35 / 38	X	-
30	(800)	18	457	24	610	1981	41 / 45	X	-
36	(1000)	24	610	30	762	2134	48 / 52	X	-
42	(1200)	30	762	36	915	2286	56 / 60	X	-
48	(1400)	36	915	42	1067	2438	63 / 67	-	X
54	(1600)	42	1067	48	1219	2590	70 / 74	-	X
60	(1800)	48	1219	54	1372	2743	78 / 81	-	X
66	(1900)	54	1372	60	1524	2896	85 / 88	-	X
72	(2000)	60	1524	66	1676	3048	92 / 95	-	X



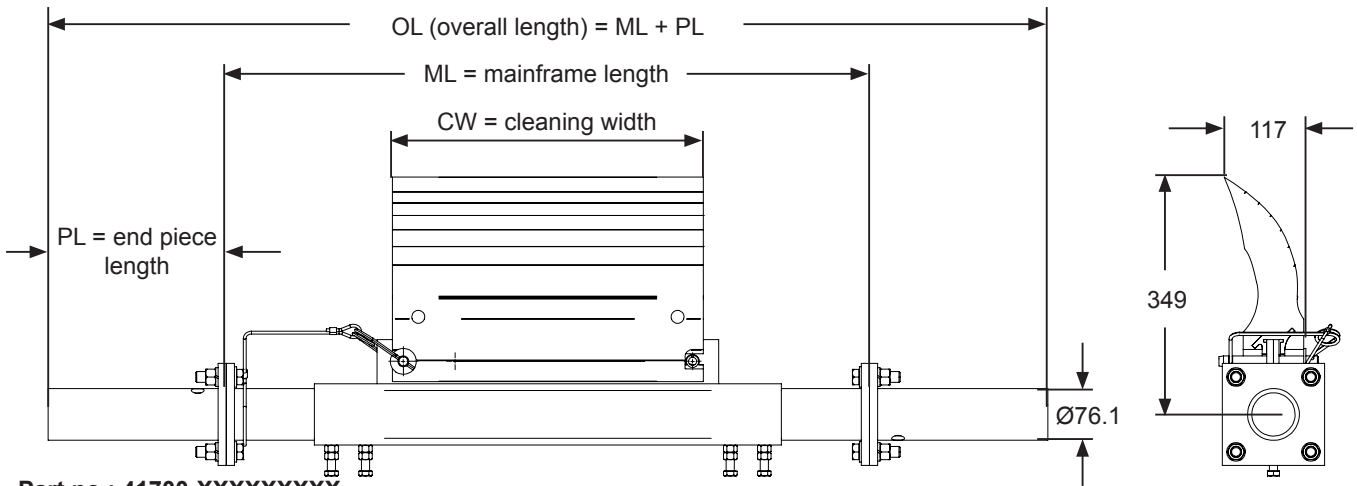
Part no.: 35899-DXXXXXXXXX+E

Belt width		CW narrow		CW wide		ML	Cleaner weight without tensioner	Tensioner design	
[in]	[mm]	[in]	[mm]	[in]	[mm]	[mm]	[kg]	single	dual
72	(2000)	60	1524	66	1676	3048	95	-	X
84	(2200)	72	1828	78	1981	3353	114	-	X
96	(2400)	84	2134	90	2286	3658	131	-	X
102	(2600)	96	2286	96	2438	3810	155	-	X
120	(3000)	108	2744	114	2896	4267	163	-	X

Note on narrow and wide cleaning width

The area of the conveyor belt to be cleaned has to be taken into account when selecting the correct cleaning width. Martin Engineering recommends that the outer cleaner edges should not protrude beyond the area to be cleaned by more than approx. 100 mm because not the entire width of the conveyor belt has to be cleaned and the blades would wear less in the protruding area. This recommendation can only be used as a rough selection criterion. Please contact Marting Engineering in case of questions or problems.

Martin® QC™ #1 XHD Pre-Cleaner - Dimensions



Part no.: 41700-XXXXXXXX

Belt width		CW narrow		CW wide		ML	Cleaner weight without tensioner and end pieces	Blade options		Tensioner design	
[in]	[mm]	[in]	[mm]	[in]	[mm]	[mm]	[kg]	single	dual	single	dual
24	(650)	12	305	18	457	945	40 / 44	X	-	X	-
30	(800)	18	457	24	610	1097	50 / 54	X	-	X	-
36	(1000)	24	610	30	762	1247	60 / 64	X	-	X	-
42	(1200)	30	762	36	915	1400	70 / 74	X	-	X	-
48	(1400)	36	915	42	1067	1550	80 / 84	X	-	-	X
54	(1600)	42	1067	48	1219	1704	90 / 94	X	-	-	X
60	(1800)	48	1219	54	1372	1856	100 / 103	X	-	-	X
66	(1900)	54	1372	60	1524	2010	109 / 113	X	-	-	X
72	(2000)	60	1524	66	1676	2160	119 / 123 - 114 / 118	X	X	-	X
84	(2200)	72	1828	78	1981	2465	124 / 128	-	X	-	X
96	(2400)	84	2134	90	2286	2770	141 / 145	-	X	-	X
102	(2600)	90	2286	96	2438	2923	169 / 173	-	X	-	X
120	(3000)	108	2744	114	2896	3380	176 / 180	-	X	-	X

Note on narrow and wide cleaning width

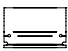



The area of the conveyor belt to be cleaned has to be taken into account when selecting the correct cleaning width. Martin Engineering recommends that the outer cleaner edges should not protrude beyond the area to be cleaned by more than approx. 100 mm because not the entire width of the conveyor belt has to be cleaned and the blades would wear less in the protruding area. This recommendation can only be used as a rough selection criterion. Please contact Martin Engineering in case of questions or problems.

End pieces - part no.: 41043-XXX





Option	PL	Weight
	[mm]	[kg]
-250	250	5
-500	500	7
-750	750	10
-1000	1000	13

Martin® QC™#1 XHD Pre-Cleaner - Key for Part Numbers

Martin® QC™#1 XHD Pre-Cleaner - part number



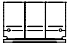

35899-abbccddeefg+E	
a	Blade options \emptyset : single D: dual
b	Belt width in inches
c	Blade design  11: solid  01: slitted  10: segmented  00: segmented and slitted
d	Cleaning width in inches
e	Urethane options* see blade part number
f	Mainframe options P: painted (RAL 2004) C: special paint C5M (RAL 2004) A4: stainless steel (1.4571)
g	Tensioner options T: spring tensioner S: spring tensioner with turnbuckle A: air tensioner

Martin® QC™#1 XHD Pre-Cleaner
(flange version) - part number

41700-abbccddeefghh	
a	Blade options \emptyset : single D: dual
b	Belt width in inches
c	Blade design  11: solid  01: slitted  10: segmented  00: segmented and slitted
d	Cleaning width in inches
e	Urethane options* see blade number
f	Mainframe options P: painted (RAL 2004) C: special paint C5M (RAL 2004) A4: stainless steel (1.4571)
g	Tensioner options T: spring tensioner S: spring tensioner with turnbuckle A: air tensioner
h	Length of end stubs in mm 02: 250 05: 500 07: 750 10: 1000

* Further specifications see data sheet L3375.

Martin® QC™#1 XHD Blade - part number

35897-abbccddeef+E	
a	Blade option Ø: single D: dual
b	Belt width in inches
c	Blade design  11: solid  01: slitted  10: segmented  00: segmented and slitted
d	Cleaning width in inches
e	Urethane options* ØØ: orange BR: brown (resistant to chemicals) GR: green (resistant to temperature) NB: navy blue (sticky bulk material) CL: clear (dry bulk material) CY: yellow (highly abrasive conditions)
f	Blade orientation Ø: none (single blade only) R: right (dual blade only) L: left (dual blade only)

* Further specifications see data sheet L3375.

Information on part number index:

Index e: When option “D” is selected in index a, only the options “ØØ” or “BR” are available.

Index f: Only use if option “D” is selected in index a.

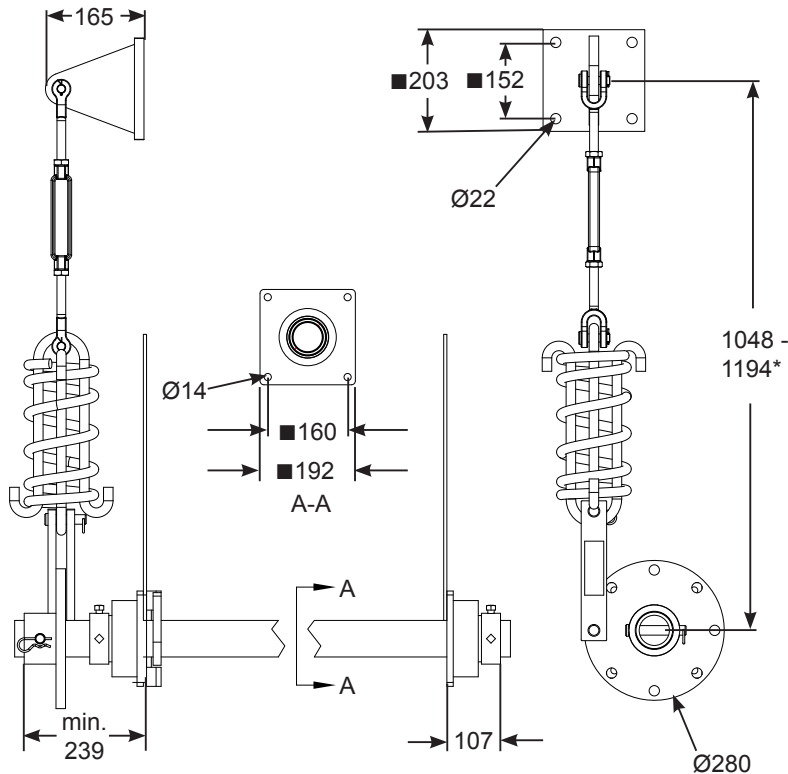
Option “+E”: Only use if option “D” is selected in index a.

Martin® QC™ #1 XHD Pre-Cleaner - Spare Parts and Accessories

Tensioners	Part no.	Weight
		[kg]
Martin® XHD Spring Tensioner	38003+E	20
Martin® XHD Spring Tensioner (Dual)	38003-2+E	25
Martin® XHD Air Tensioner	32135	24
Martin® XHD Air Tensioner (Dual)	32135-2R	35
Martin® XHD Spring Tensioner with Turn-buckle (Single)	35978-SXXX+E	45
Martin® XHD Spring Tensioner with Turn-buckle (Dual)	35978-DXXX+E	80

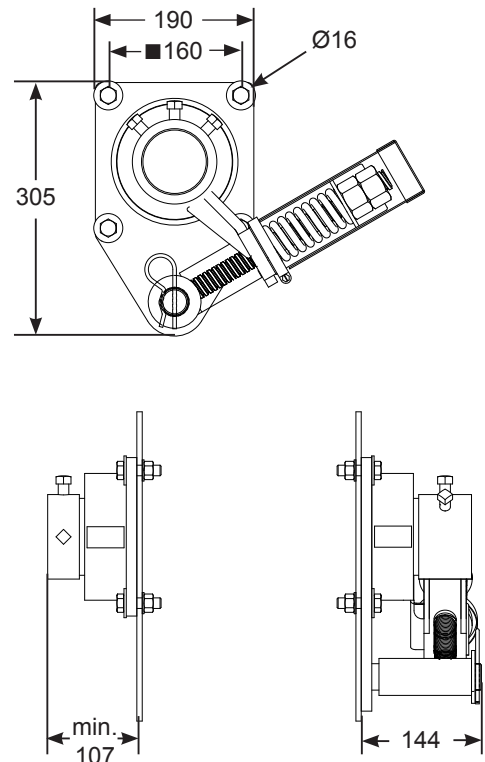
Accessory	Part no.
Martin® Inspection Door (steel)	CYA-XXXXXXXX+E
Martin® Inspection Door (rubber)	CYAR-XXXXXXXX+E
Martin® Hanger Mount	27382+E

Martin® XHD Spring Tensioner with Turnbuckle (option "S")

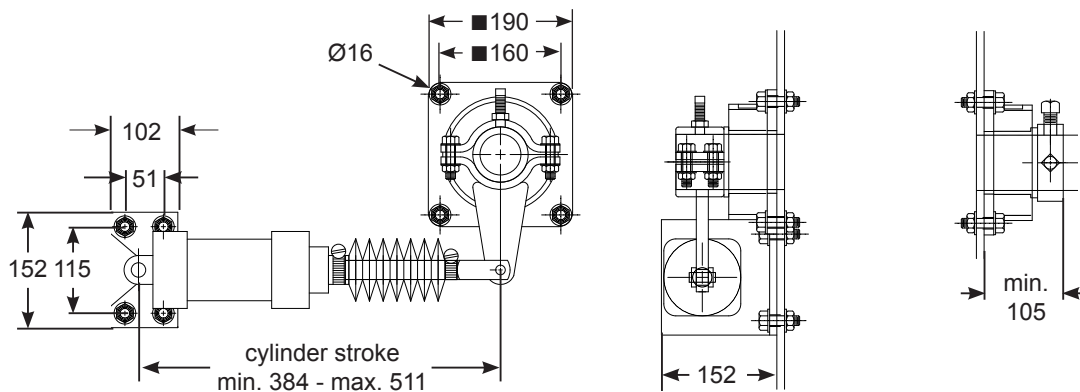


* Depending on spring used

Martin® XHD Spring Tensioner (option "T")



Martin® XHD Air Tensioner (option "A")



Martin Engineering GmbH
 In der Rehbach 14
 65396 Walluf, Germany
 Ph. +49 6123 97820
 Fax +49 6123 75533
 info@martin-eng.de | www.martin-eng.de

Martin Engineering Ltd.
 8, Experian Way, NG2 Business Park,
 Nottingham NG2 1EP, Nottinghamshire, GB
 Ph. +44 115 946 4746;
 Fax +44 115 946 5550
 info@martin-eng.co.uk; www.martin-eng.co.uk
 Subject to technical modifications. Quality management system certified to DNV - ISO 9001



Problem Solved™ GUARANTEED!

Publication no. L3501UK-01/15
 © Martin Engineering Company 2008, 2012