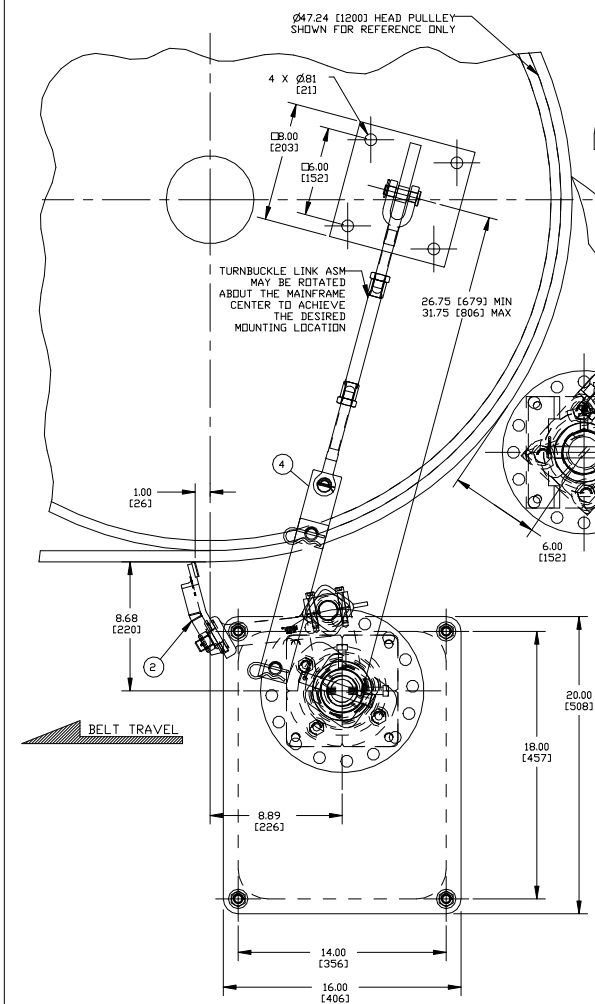
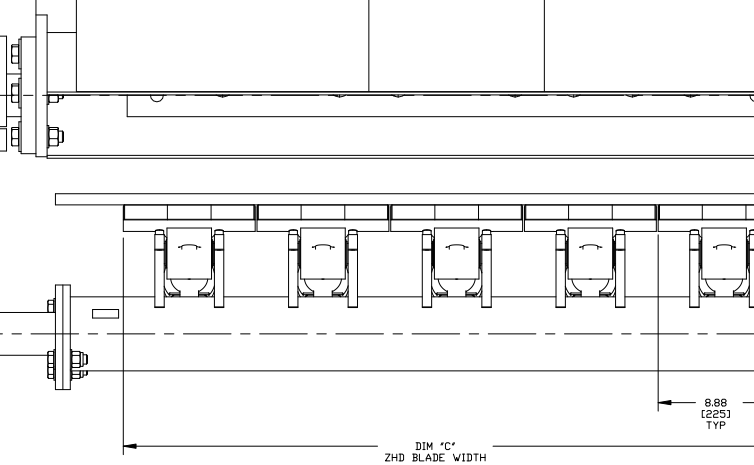
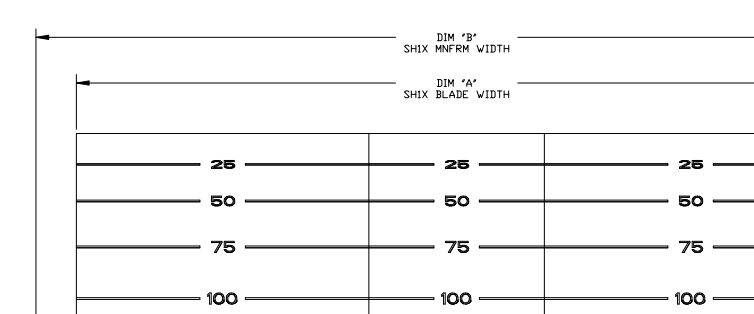
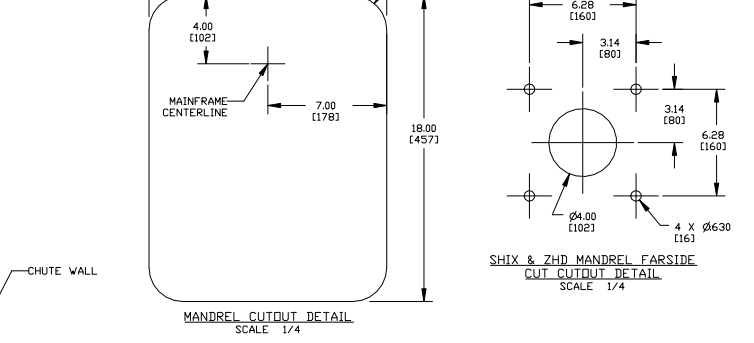
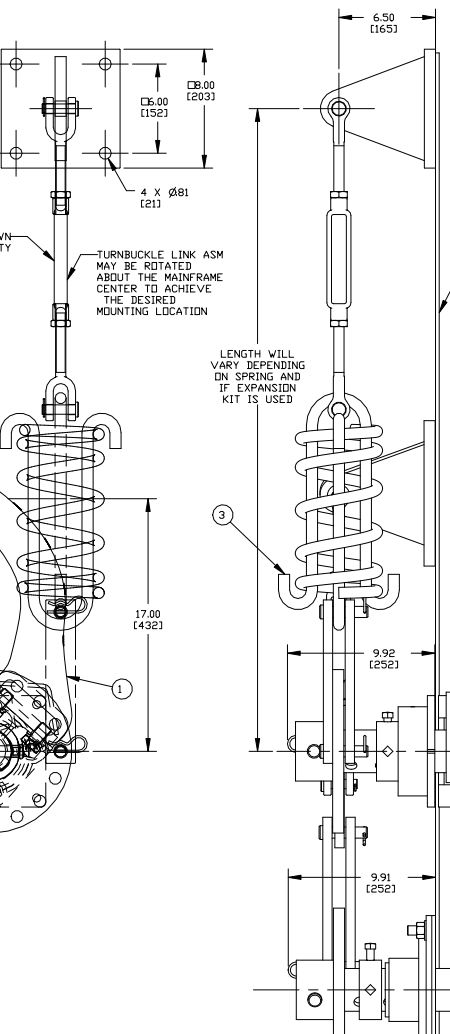


ASSEMBLY	P/N	DIM 'A'	DIM 'B'
PART NUMBER	ITEM 3	BLADE LENGTH	MNFRM LENGTH
SHIX-42X396XXXX	35978-S500M	39.38 [1000]	44.81 [1138]
SHIX-48X436XXXX	35978-D150M	43.31 [1100]	48.75 [1238]
SHIX-54X516XXXX	35978-D150M	51.19 [1300]	56.63 [1438]
SHIX-60X596XXXX	35978-D150M	59.06 [1500]	64.50 [1638]
SHIX-72X716XXXX	35978-S500M	70.88 [1800]	76.31 [1938]
SHIX-84X796XXXX	35978-S500M	78.75 [2000]	84.19 [2138]
SHIX-96X836XXXX	35978-S500M	82.69 [2100]	88.13 [2239]
SHIX-ABX716XXXX	35978-S500M	70.88 [1800]	103.88 [2639]
SHIX-ABX986XXXX	35978-S750M	98.44 [2500]	103.88 [2639]
SHIX-C0X26XXXX	35978-S750M	102.38 [2600]	107.81 [2738]

P/N	P/N	DIM 'C'
ITEM 2	ITEM 4	BLADE WIDTH
36328-24	36535-36	17.88 [454]
36328-30	36535-36	26.88 [683]
36328-36	36535-36	26.88 [683]
36328-42	36535-60	35.88 [911]
36328-48	36535-60	44.88 [1140]
36328-54	36535-60	44.88 [1140]
36328-60	36535-60	53.88 [1369]
36328-72	36535-60	62.88 [1597]
36328-84	36535-84	80.88 [2054]
36328-96	36535-84	89.88 [2283]

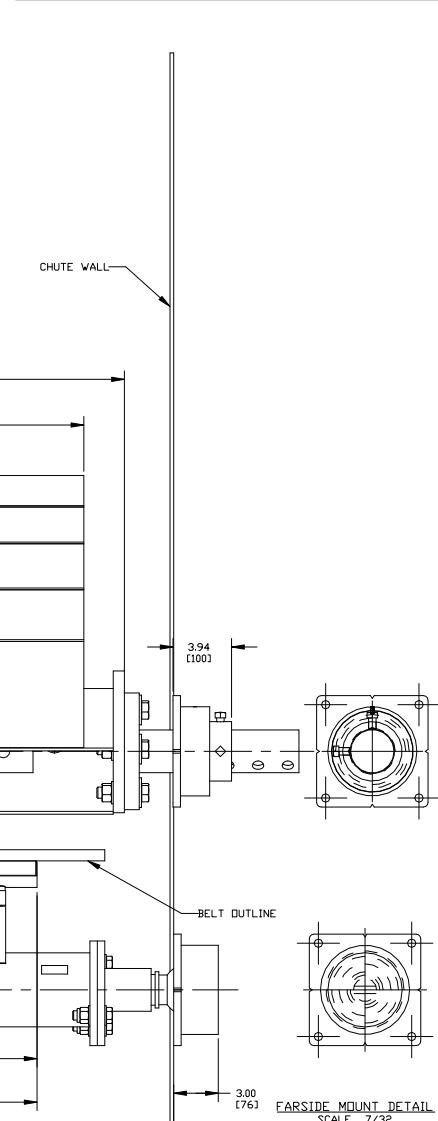


- NOTES:
- 1) ALL DIMENSIONS ARE GIVEN IN INCHES (MM).
  - 2) ALL DIMENSIONS ARE FOR REFERENCE ONLY.
  - 3) IN THE SHIX PART NUMBER THE SHIX INDICATES AN EXTRA HEAVY DUTY PRIMARY CLEANER. THE NEXT TWO XX'S INDICATE THE BELT WIDTH. THE NEXT X INDICATES BLADE TYPE.  
 U = URETHANE  
 C = URETHANE, W/CERAMIC BEADS  
 THE NEXT TWO XX'S INDICATE THE BLADE WIDTH.  
 THE NEXT X INDICATES THE BLADE PROFILE.  
 THE NEXT X INDICATES THE URETHANE TYPE  
 B = BROWN  
 G = GREEN  
 D = DRANGE  
 Y = CERAMIC/YELLOW  
 THE NEXT X INDICATES THE MAINFRAME OPTIONS  
 P = PAINTED DRANGE MAINFRAME  
 C = CORROSION RESISTANT MAINFRAME  
 THE NEXT X INDICATES THE END WELDMENT LENGTHS (INCHES)  
 2 = 20  
 3 = 30  
 4 = 40  
 THE NEXT X INDICATES THE TENSIONER AND ACCESSORY OPTIONS  
 L = WITH PAINTED LINK TENSIONER  
 C = WITH CORROSION RESISTANT LINK TENSIONER



- NOTES:
- 4) WHERE EXTREME OR UNUSUAL CONDITIONS EXIST, OR SPECIAL MAINFRAME LENGTHS ARE REQUIRED, CONTACT MARTIN.
  - 5) THE SHIX PRECLEANER BLADES ARE DESIGNED TO REMOVE HEAVY CARRYBACK ONLY. DO NOT OVERTENSION.
  - 6) BLADE COVERAGE WILL BE LESS THAN BELT WIDTH DUE TO POSSIBLE MISTRACKING OR DAMAGED EDGES OF BELT.
  - 7) REQUIRED EFFECTIVE HEAD PULLEY DIAMETER (HEAD PULLEY + LAGGING + BELT THICKNESS) IS 48.00 [1219] MAXIMUM FOR THE SHIX-600.
  - 8) FRAME LENGTH IS SUPPLIED LONGER THAN REQUIRED, CUT IN FIELD TO DESIRED LENGTH.
  - 9) TENSIONER ASSEMBLY MAY BE BOLTED OR WELDED IN PLACE FOR EASIER MAINTENANCE AND ACCESSIBILITY. MARTIN ENGINEERING RECOMMENDS BOLTING WHEN APPLICABLE.
  - 10) REFER TO OPERATOR'S MANUAL'S, FOR INSTALLATION AND TENSIONING INSTRUCTIONS.
  - 11) CLEANERS ARE SHOWN IN RECOMMENDED POSITIONS.

ITEM	QTY.	DESCRIPTION	PART NUMBER
1	1	SHIX PRIMARY CLEANER SHD-600	SHIX-XXXX6XXXX
2	1	ZHD SECONDARY CLEANER ASM	36328-XX
3	1	SPRING LINK TENSIONER ASM	35978-SXXMX
4	1	MANDREL MOUNT LINK TENSIONER ASM	36535-XX



Copyright 2014 Martin Engineering. All rights reserved. Covered by U.S. and Foreign patents pending and issued. ® and TM indicate trademarks of Martin Engineering.

MARTIN ENGINEERING-USA  
NEPDSNET, IL USA

TITLE	SHIX PRIMARY CLEANER AND ZHD SECONDARY ASM SPR LINK/MANDREL TENS	DRAWN DATE	02/22/10	RND
APPROVED	DATE	02/25/10	JAP	
DATE	02/25/10	DM		
DATE	02/25/10			
SCALE	7/32			

NO.	DESCRIPTION	ECN	DATE	BY
A	ROTATED AND DELICATED TURNBUCKLE TO SECONDARY CLEANER 000899	----	05/04/10	RWB
	REVISION			

SALES DRAWING | M08801 | S50071