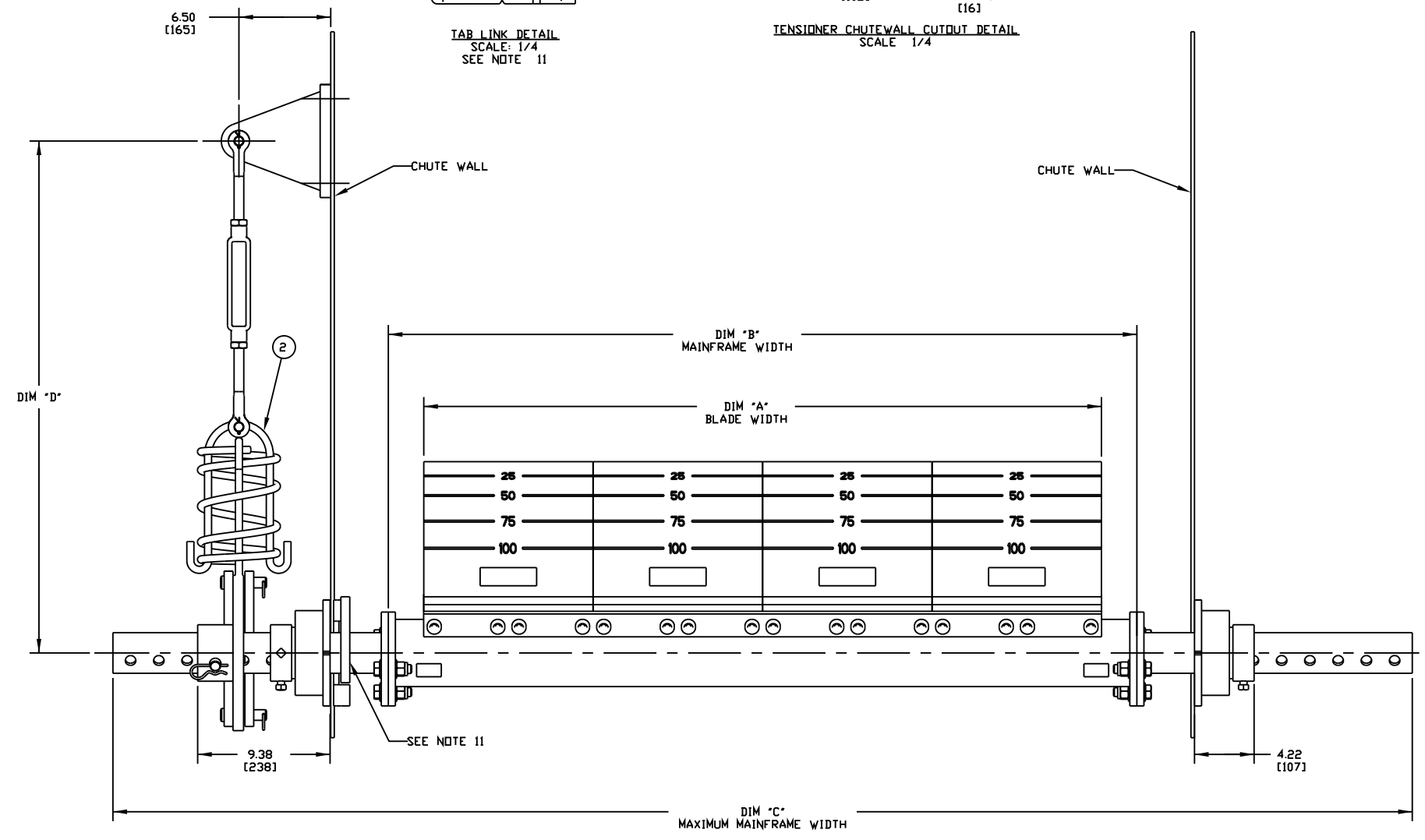
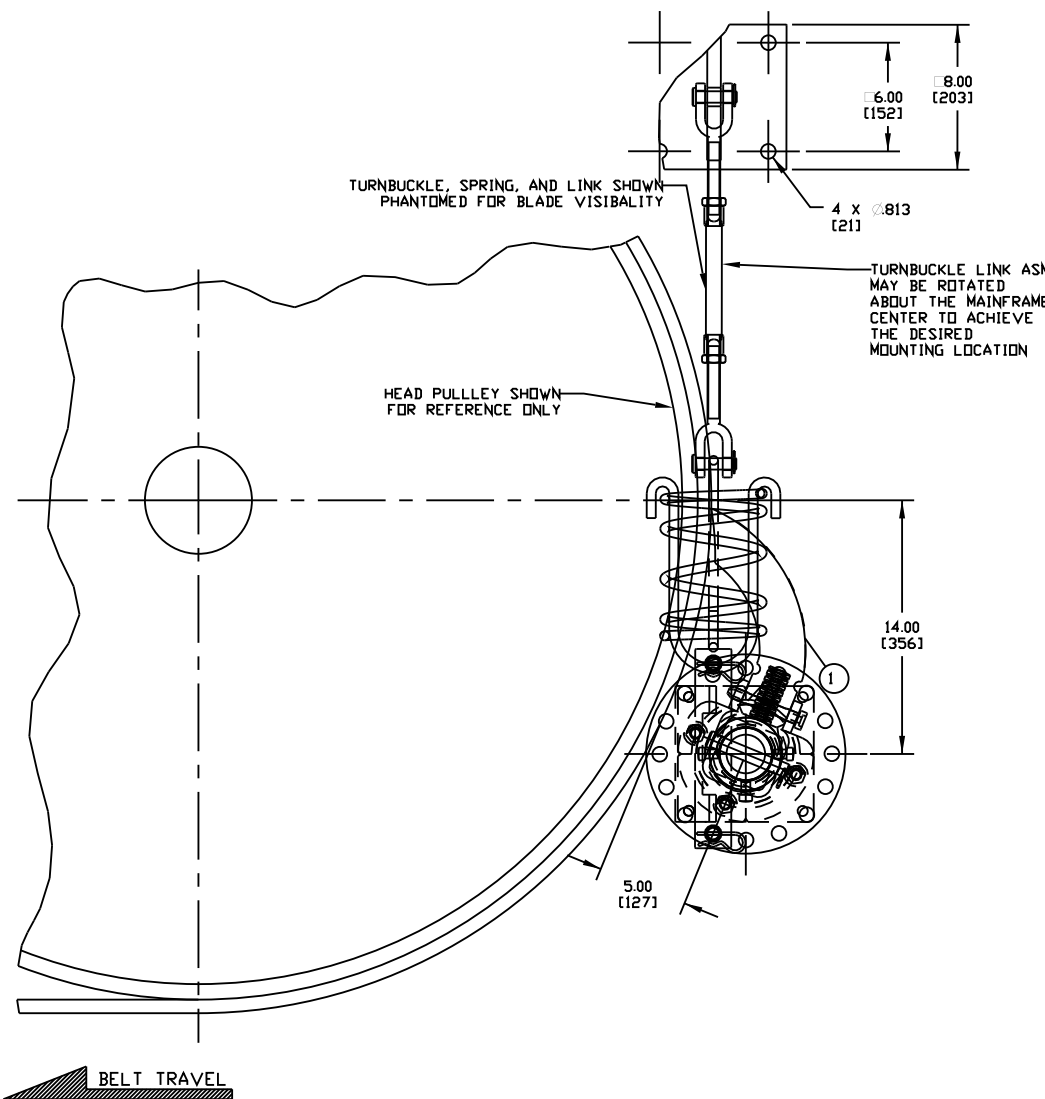
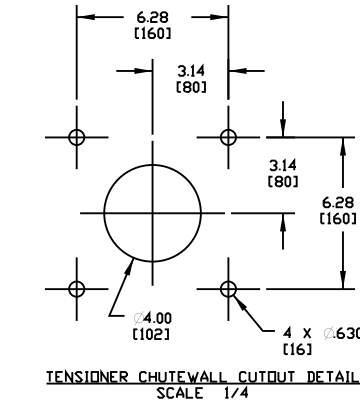
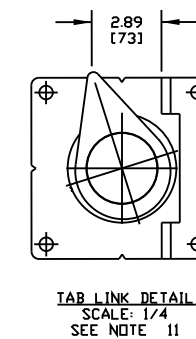


ASSEMBLY PART NUMBER	DIM "A" BLADE WIDTH	DIM "B" MNFRM WIDTH	DIM "C" MAX MNFRM WIDTH	TENSIONER P/N ITEM 2
36287-24XXXXXX	18.00 [457]	23.00 [584]	62.00 [1575]	36437-S90X
36287-30XXXXXX	24.00 [610]	29.00 [737]	68.00 [1727]	36437-S90X
36287-36XXXXXX	30.00 [762]	35.00 [889]	74.00 [1880]	36437-S150X
36287-42XXXXXX	36.00 [914]	41.00 [1041]	80.00 [2032]	36437-S150X
36287-48XXXXXX	42.00 [1067]	47.00 [1194]	86.00 [2184]	36437-S150X
36287-54XXXXXX	48.00 [1219]	53.00 [1346]	92.00 [2337]	36437-S150X

ITEM	QTY.	DESCRIPTION	PART NUMBER
1	1	ZHD 800 PRE CLEANER ASM	36287-XXXXXX
2	1	SPRING LINK TENS ASM (SINGLE MNT)	35978-SXXXX

TENSIONER PART NUMBER	DIM "D" MOUNTING HEIGHT
35978-S90X	41.25 [1048]
35978-S150X	42.25 [1073]
35978-S500X	45.59 [1158]
35978-S750X	47.00 [1194]



NOTES:
 1) ALL DIMENSIONS ARE GIVEN IN INCHES [MM].
 2) ALL DIMENSIONS ARE FOR REFERENCE ONLY.
 3) THE FIRST TWO XX'S INDICATES THE BELT WIDTH. THE NEXT X INDICATES BLADE TYPE (NARROW & WIDE BLADES=BLANK, NARROW BLADES=V). THE NEXT XX INDICATES BELT COVERAGE (STANDARD BELT WIDTH -6"=BLANK, OR 6" INCREMENTS=XX). THE NEXT X INDICATES BLADE COLOR (ORANGE=BLANK, BROWN=B, GREEN=G, CLEAR=C, NAVY BLUE=N). THE NEXT X INDICATES TENSIONER (NO TENSIONER=BLANK, LINK TENSIONER=L, SPRING TENSIONER=S). THE NEXT X INDICATES BEARING TYPE (STANDARD DUTY BEARING=BLANK, HEAVY DUTY BRONZE METAL BEARING=M). THE LAST X INDICATES CABLE EXPANDER (NO CABLE CONNECTION KIT=BLANK, CABLE CONNECTION KIT=K). THE CABLE EXPANDER IS ONLY USED ON THE LINK TENSIONER.
 P/N EXAMPLE:
 36287-24NBLMK = 24.00 BELT, ALL NARROW BLADES, STANDARD BELT COVERAGE, BROWN BLADES, LINK TENSIONER, BRONZE METAL BEARING & CABLE CONNECTION KIT.

NOTES (CONT'D):
 4) WHERE EXTREME OR UNUSUAL CONDITIONS EXIST, OR SPECIAL MAINFRAME LENGTHS ARE REQUIRED, CONTACT MARTIN.
 5) BLADE COVERAGE WILL BE LESS THAN BELT WIDTH DUE TO POSSIBLE MISTRACKING OR DAMAGED EDGES OF BELT.
 6) REQUIRED EFFECTIVE HEAD PULLEY DIAMETERS (HEAD PULLEY + LAGGING + BELT THICKNESS) ARE 32.00 [813] MINIMUM THRU 38.00 [965] MAXIMUM FOR THE ZHD 800.
 7) FRAME LENGTH IS SUPPLIED LONGER THAN REQUIRED, CUT IN FIELD TO DESIRED LENGTH.
 8) TENSIONER ASSEMBLY MAY BE BOLTED OR WELDED IN PLACE. MARTIN ENGINEERING RECOMMENDS BOLTING WHEN APPLICABLE FOR EASIER MAINTENANCE AND ACCESSIBILITY.
 9) REFER TO OPERATOR'S MANUAL'S, FOR INSTALLATION AND TENSIONING INSTRUCTIONS.
 10) CLEANERS ARE SHOWN IN RECOMMENDED POSITIONS.
 11) FIELD WELD TAB TO MAINFRAME. TAB NOT TO GO BEYOND OUTSIDE EDGE OF TENSIONER STOP.

©Copyright 2014 Martin Engineering. All rights reserved. Covered by US and Foreign patents pending and issued. ® and TM indicate trademarks of Martin Engineering.

MARTIN ENGINEERING-USA
 NEPONSET, IL USA

TITLE	ZHD 800 PRE-CLEANER WITH SINGLE SPRING LINK TENSIONER	DRAWN	MJB
DATE	10/18/07	CHECKED	
ENG.	RND	DATE	10/29/07
APPROVED	TJG	DATE	10/29/07
SCALE	3/16		

NO.	DESCRIPTION	ECN	DATE	BY
	REVISION			

SALES DRAWING
 M00741 S50055-S

