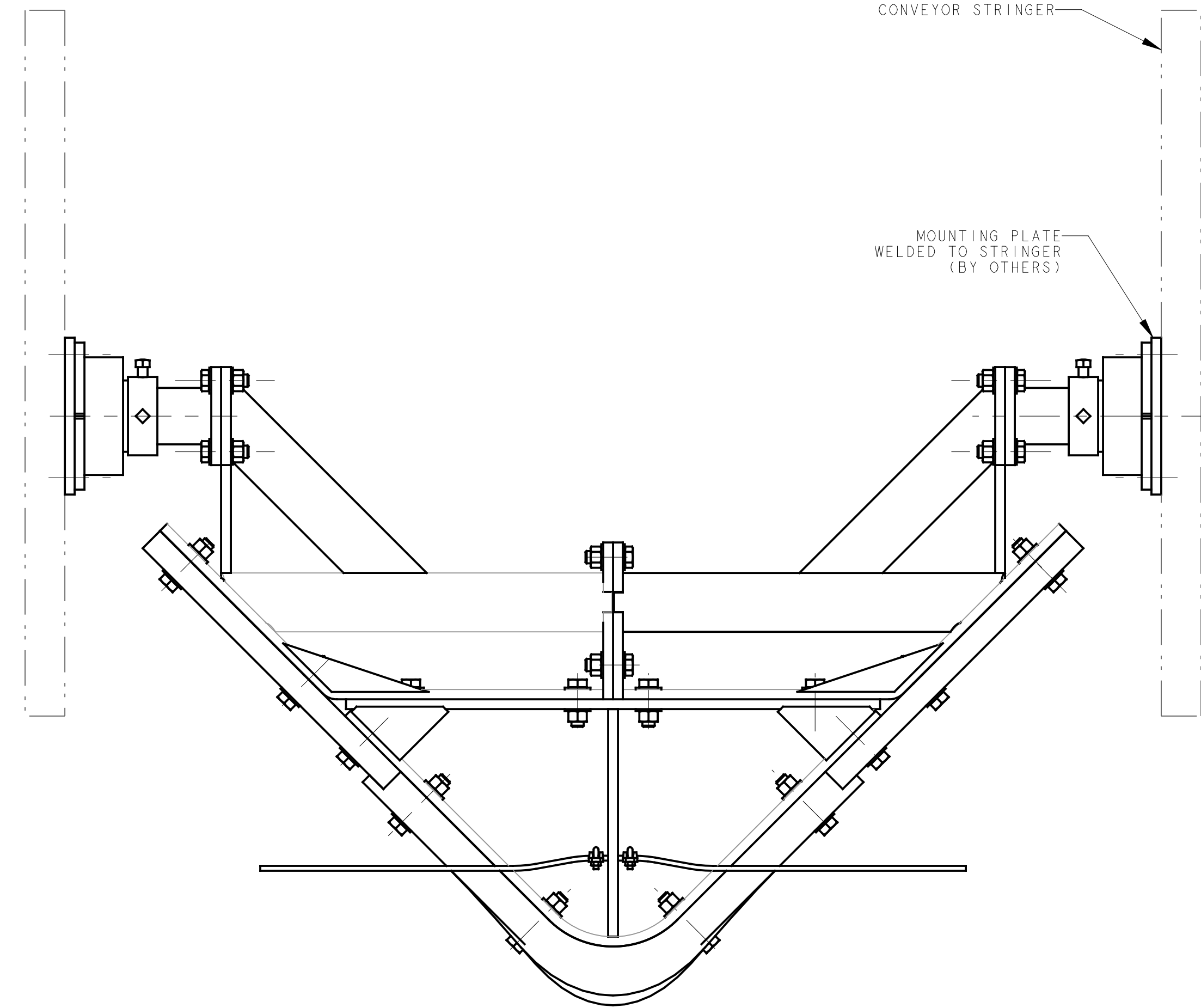
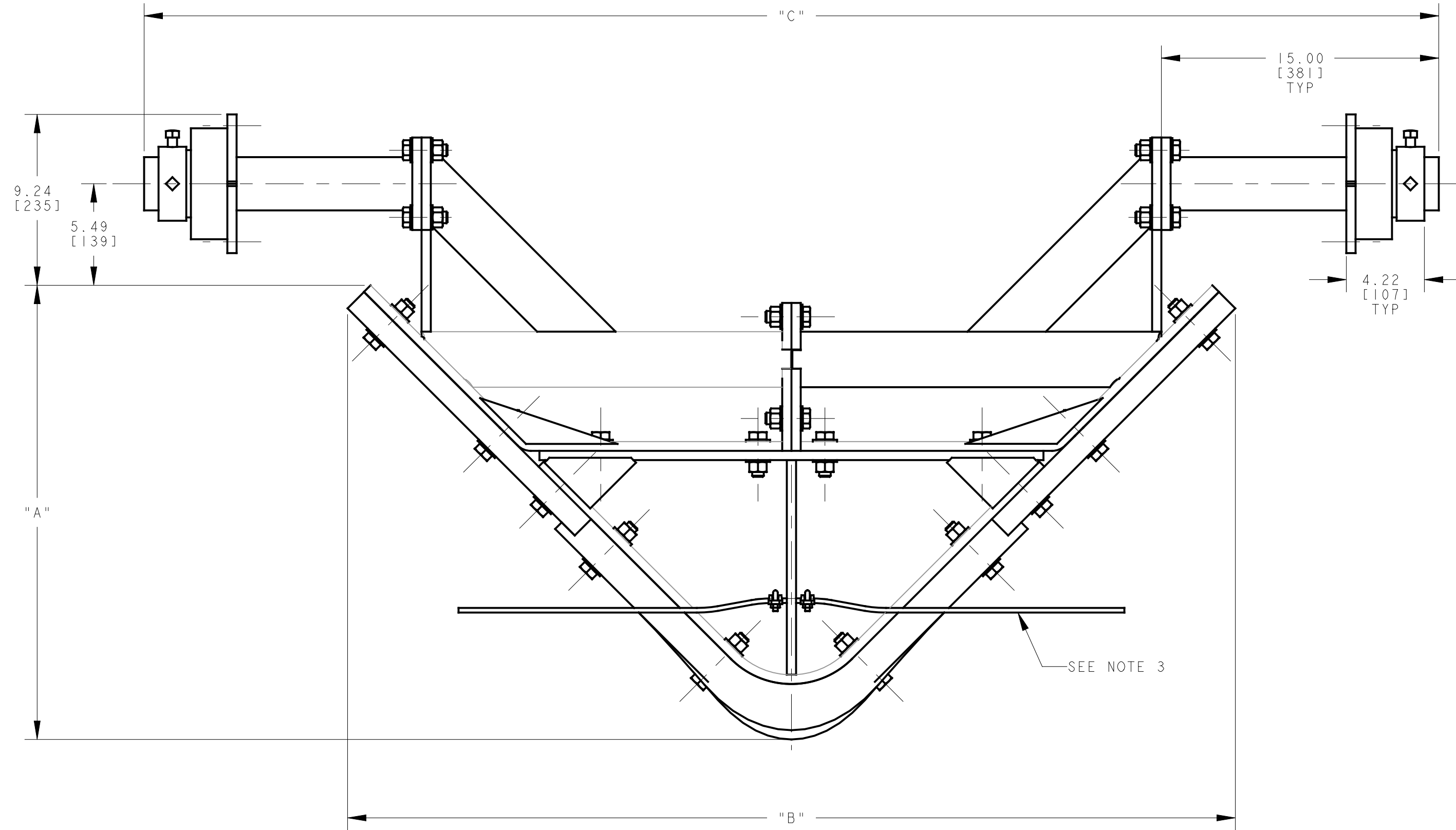
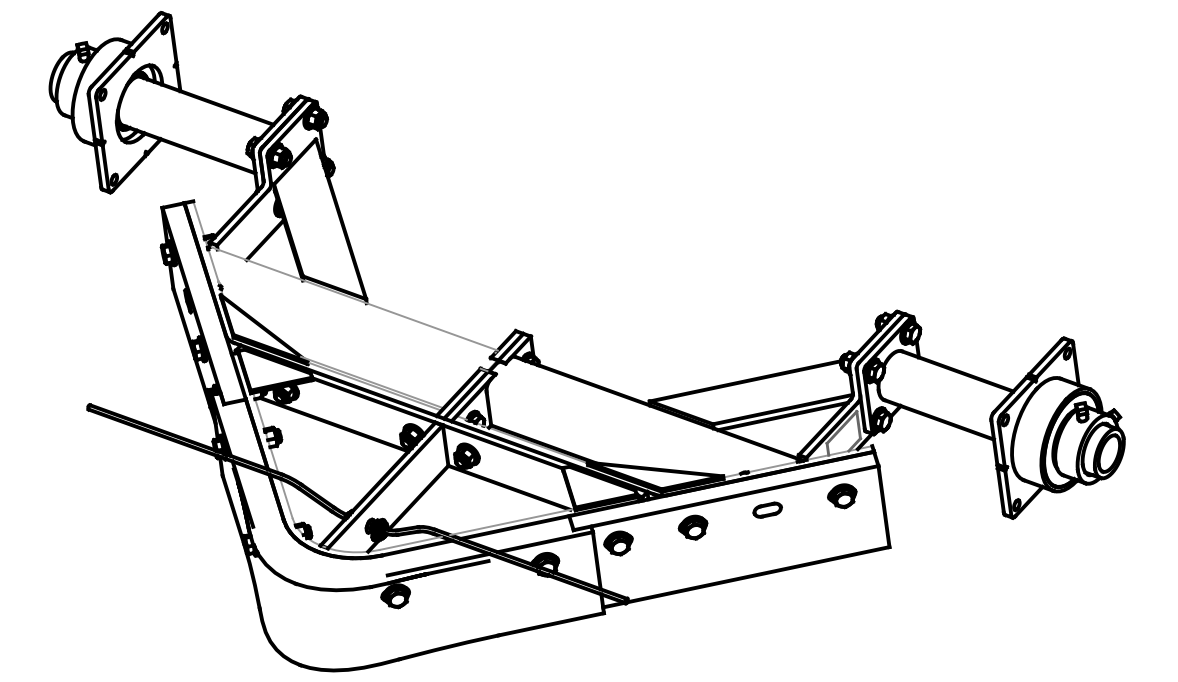


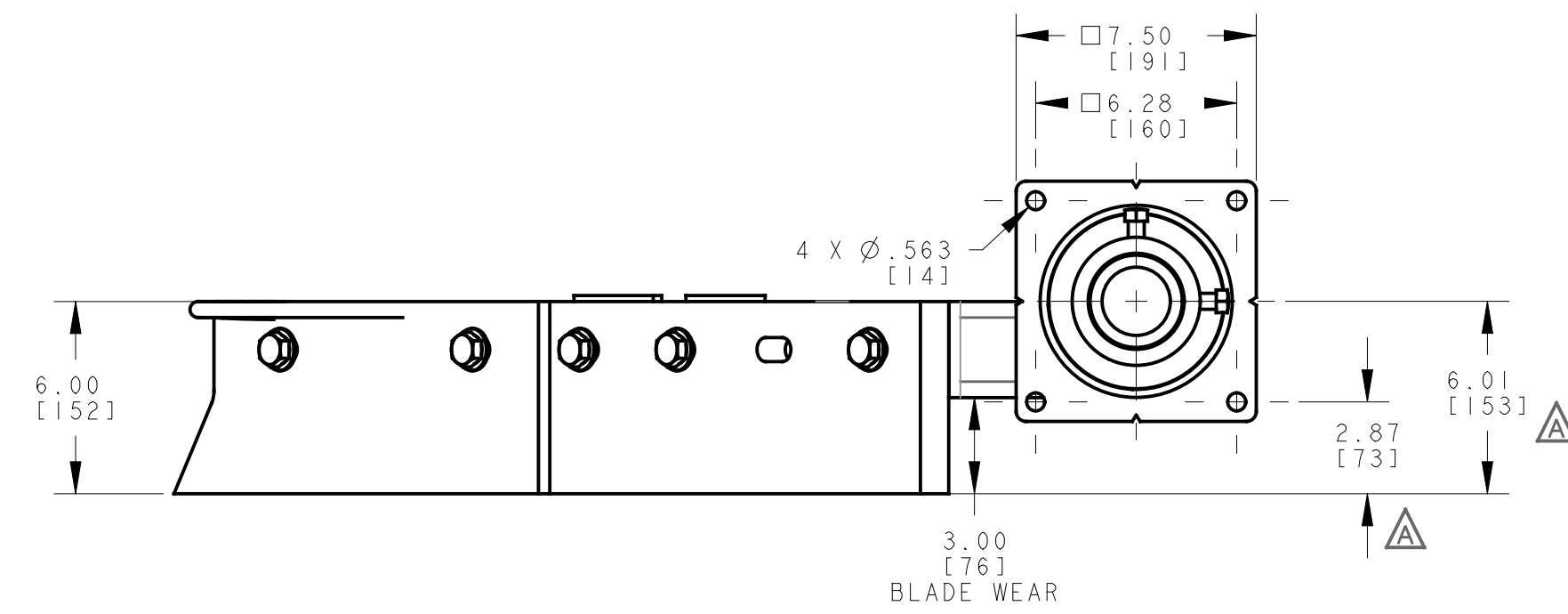
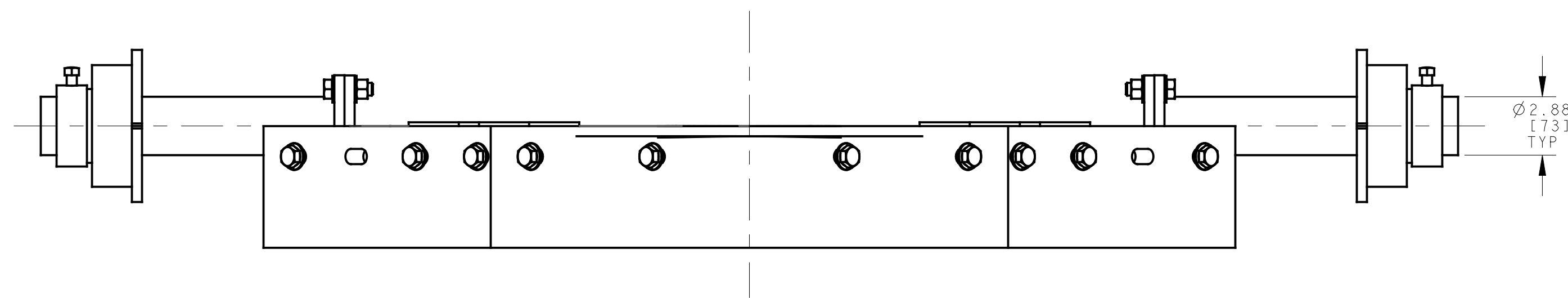
PART NO.	DIM "A"	DIM "B"	DIM "C"	REPLACEMENT BLADE KIT	WEIGHT (LBS)
PLWVH-42XXX	24.56 [624]	48.00 [1219]	70.00 [1778]	38222-42XX	195
PLWVH-48XXX	27.56 [700]	54.00 [1372]	76.00 [1930]	38222-48XX	208
PLWVH-54XXX	30.56 [776]	60.00 [1524]	82.00 [2083]	38222-54XX	223
PLWVH-60XXX	33.56 [852]	66.00 [1676]	88.00 [2235]	38222-60XX	241
PLWVH-72XXX	39.56 [1005]	78.00 [1981]	100.00 [2540]	38222-72XX	283
PLWVH-84XXX	45.56 [1157]	90.00 [2286]	112.00 [2845]	38222-84XX	356
PLWVH-96XXX	51.56 [1310]	102.00 [2591]	124.00 [3150]	38222-96XX	408
PLWVH-102XXX	54.56 [1386]	108.00 [2743]	130.00 [3302]	38222-102XX	453
PLWVH-108XXX	57.56 [1462]	114.00 [2896]	136.00 [3454]	38222-108XX	466
PLWVH-120XXX	63.61 [1616]	126.00 [3201]	148.00 [3759]	38222-120XX	530



INSIDE STRINGER MOUNTING DETAIL
SCALE 3/16



ISOMETRIC VIEW
SCALE 3/32



- NOTES:
 1) ALL DIMENSIONS ARE GIVEN IN INCHES [MM].
 2) ALL DIMENSIONS ARE FOR REFERENCE ONLY.
 3) SAFETY CABLE TO BE ATTACHED TO BOTH SIDES OF CONVEYOR STRUCTURE WITH SUPPLIED SHACKLES.

NO.	DESCRIPTION	ECN	DATE	BY
C	ADDED P/N PLWVH-102XX & -108XX TO CHART (PRI4222)	----	08/25/21	JAH
B	CHGD DRAWING DESCRIPTION FROM *HD V-PLOW* TO *XHD V-PLOW*	14353	10/09/15	MJB
A	CHGD DIM 5.75 TO 6.01 AND 2.61 TO 2.87	----	02/01/10	JAP

©Copyright 2021 Martin Engineering. All rights reserved. Covered by U.S. and foreign patents pending and issued. ® and TM indicate trademarks of Martin Engineering.

MARTIN ENGINEERING
NEPONSET, IL USA

MARTIN®
XHD V-PLOW

TITLE	SALES DRAWING
NO.	PR10690A
REVISION	S50052

DRAWN	JAP
DATE	10/02/07
CHECKED	JLD
ENG.	JLD
DATE	10/09/07
APPROVED	DM
DATE	10/09/07
SCALE	3/16