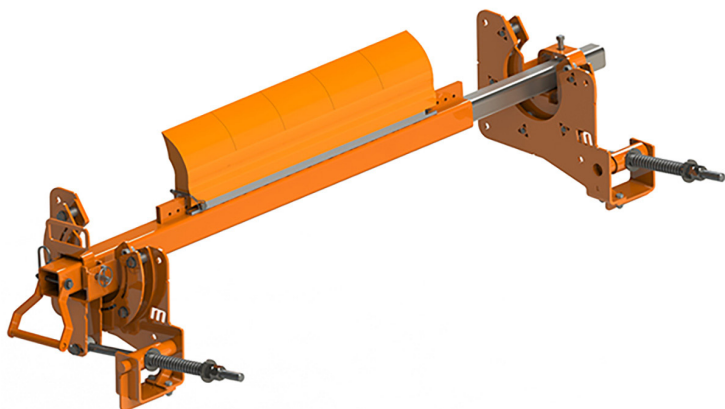


# Martin® QC1™ Cleaner HD STS™

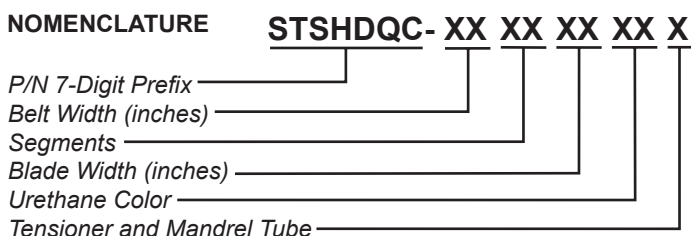


The [Martin® QC1™ Cleaner HD STS™](#) tackles the tough jobs. Designed for rugged conditions, this sturdy cleaner's stainless steel mandrel allows the blade cartridge to be serviced without confined space entry or breaking the safety plane. Changing the blade is a simple one-pin operation, making replacement of a worn blade a safe and simple procedure.

The Martin® QC1™ Cleaner HD STS™ is available with either a Martin® Spring Tensioner HD STS™ or a Martin® Air Tensioner HD STS™ to maintain proper cleaning pressure while minimizing the need for adjustment.

## BENEFITS

- Safe To Service**  
 The blade can be replaced from outside the chute wall or the conveyor structure without breaking the safety plane.
- Fast Blade Change Cuts Service Expense**  
 One-pin blade replacement makes blade replacement a fast and easy operation.
- Matched Tensioner Maintains Consistent Cleaning**  
 Martin® QC1™ Cleaner HD STS™ and Martin® Tensioner HD STS™ are system-engineered to preserve the cleaning edge from high belt speeds and multiple splices.
- Curved Blade Provides Consistent Cleaning**  
 Patented "CARP" (Constant Angle Radial Pressure) design maintains cleaning performance through all stages of blade life.
- Rugged Construction Suits Tough Conditions**  
 Mainframe of rugged 3/8-in. (9.5-mm) thick DOM steel tubing has steel bar backbone. Aluminum extrusion in blade base holds cleaner snugly to backbone.
- Blade Materials Match Application**  
 Martin Engineering's urethane expertise provides blades to suit standard, high-temperature, or high-abrasion conditions.
- The Most Cleaner, the Least Investment**  
 Economical pre-cleaner and tensioner system combines effective cleaning, durable life, and low-maintenance requirements.



## SEGMENTS

- 11:** Without Segments
- 10:** With Segments

## TENSIONER

- A:** Martin® Air Tensioner HD STS™
- T:** Martin® Spring Tensioner HD STS™
- Blank:** No Tensioner or Mandrel Tube

## URETHANE COLOR

- BR:** Brown
- CL:** Tan
- GR:** Green
- NB:** Navy Blue
- CY:** Yellow with Beads
- Blank:** Orange

## NOTES

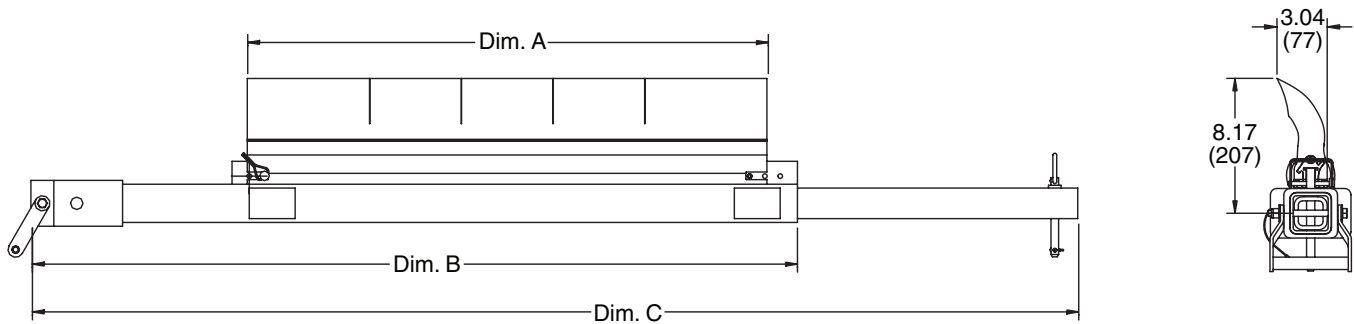
Normal blade length is belt width less 6 in. (150 mm). For belts with a 45° trough or where material is centered on belt, customer should consider a blade that is belt width less 8 in. (200 mm). This is because belt edges may not require cleaning, and blade-to-belt friction in these areas may lead to premature wear of cleaner and/or belt.

# TECHNICAL DATA SHEET

## SPECIFICATIONS & DIMENSIONS – in. (mm)

Part Number	Belt Width in (mm)	Dim. A Blade in (mm)			Dim. B Mainframe in (mm)	Dim. C Mandrel in (mm)
		Belt Width less 2 in.	Belt Width less 6 in.	Belt Width less 8 in.		
STSHDQC-24XX18	24 (610)	22 (559)	18 (457)	16 (406)	38 (965)	57 (1448)
STSHDQC-30XX24	30 (762)	28 (711)	24 (610)	22 (559)	44 (1118)	63 (1600)
STSHDQC-36XX30	36 (915)	34 (864)	30 (762)	28 (711)	50 (1270)	69 (1753)
STSHDQC-42XX36	42 (1067)	40 (1016)	36 (914)	34 (864)	56 (1422)	75 (1905)
STSHDQC-48XX42	48 (1219)	46 (1168)	42 (1067)	40 (1016)	62 (1575)	81 (2057)
STSHDQC-54XX48	54 (1372)	52 (1321)	48 (1219)	46 (1168)	68 (1727)	87 (2210)
STSHDQC-60XX54	60 (1524)	58 (1473)	54 (1372)	52 (1321)	74 (1880)	93 (2362)
STSHDQC-66XX60	66 (1676)	64 (1626)	60 (1524)	58 (1473)	80 (2032)	99 (2515)
STSHDQC-72XX66	72 (1829)	70 (1778)	66 (1676)	64 (1626)	86 (2184)	105 (2667)
STSHDQC-78XX72	78 (1981)	76 (1930)	72 (1829)	70 (1778)	92 (2337)	111 (2819)
STSHDQC-84XX78	84 (2134)	82 (2038)	78 (1981)	76 (1930)	98 (2489)	117 (2972)
STSHDQC-90XX84	90 (2286)	88 (2235)	84 (2134)	82 (2038)	104 (2642)	123 (3124)
STSHDQC-96XX90	96 (2438)	94 (2388)	90 (2286)	88 (2235)	110 (2794)	129 (3277)

## MARTIN® QC1™ CLEANER HD STS™, P/N STSHDQC-XXXXXXXXXX



## INSTALLATION AND MOUNTING

### Installation Recommendations:

Head Pulley Diameter (includes belt and lagging)	16 in. – 22 in. (406 – 559 mm)
Maximum Belt Speed	900 fpm (4.6 m/s)

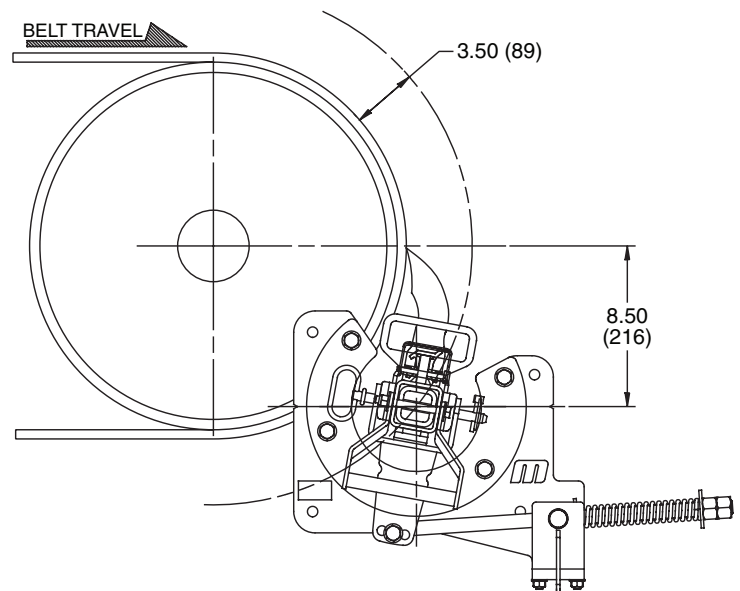
## FREQUENTLY ASKED QUESTIONS

My Pre-Cleaner keeps flipping through. What is wrong?

*The mounting location may be too far away from the belt. Relocate to the proper mounting location. Replace the mainframe or end weldments if they are bent. Check set screws to determine if they are tight. Retighten if necessary.*

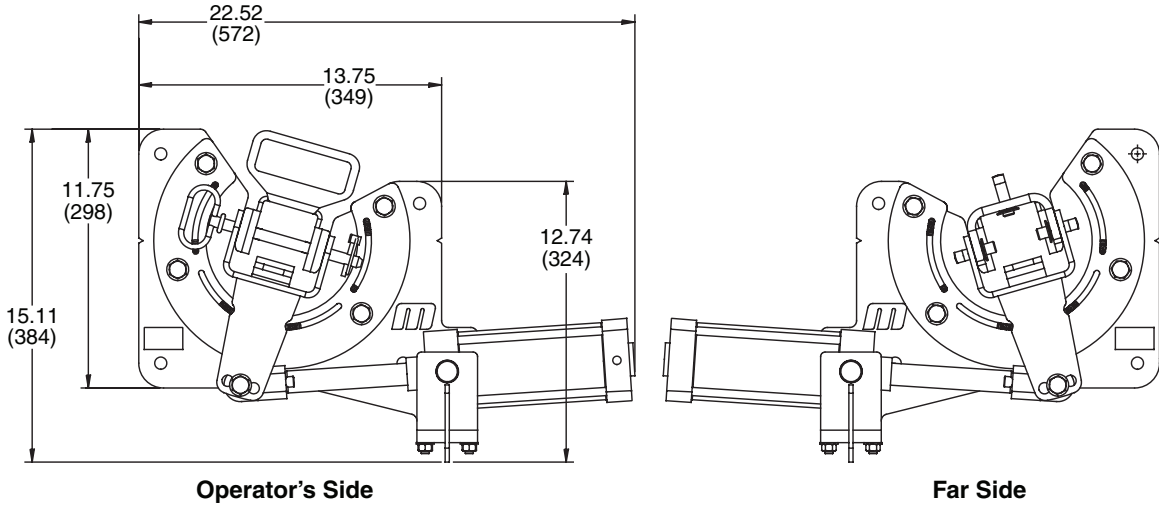
My Pre-Cleaner is wearing more in the center of the blade.

*The blade is too wide for this application. Replace with a shorter length blade.*

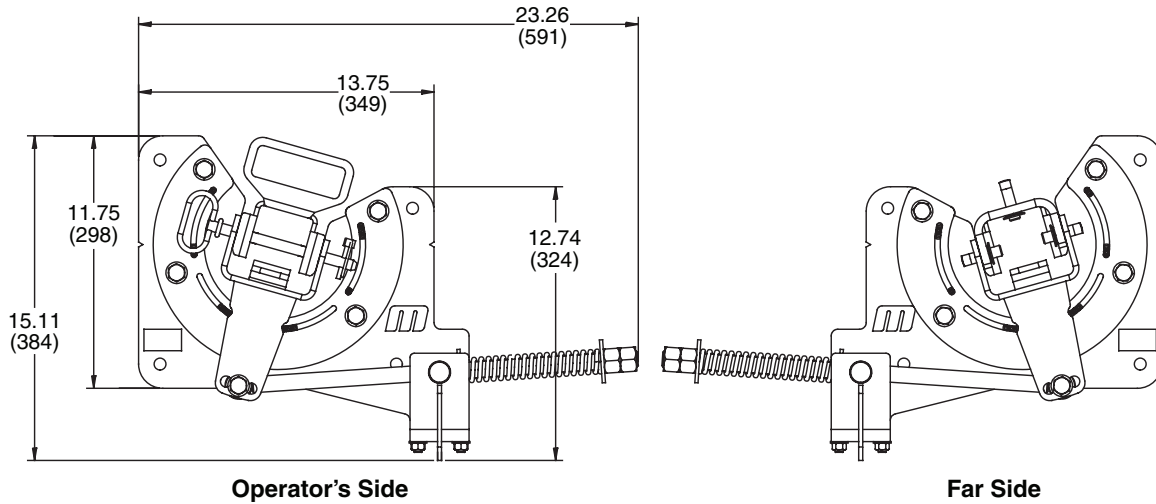


# TECHNICAL DATA SHEET

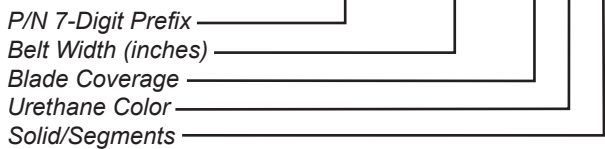
## MARTIN® AIR TENSIONER HD STS™, P/N 39100-HDA



## MARTIN® SPRING TENSIONER HD STS™, P/N 39100-HDSX



### NOMENCLATURE C1QCHBS XX S X X X



#### BLADE COVERAGE

- 2: 2 in. less belt width
- 4: 4 in. less belt width
- 6: 6 in. less belt width
- 8: 8 in. less belt width

#### URETHANE COLOR

- B: Brown
- T: Tan
- G: Green
- N: Navy Blue
- C: Yellow with Beads
- O: Orange

#### SOLID/SEGMENTS

- 0: Segmented without slots
- 1: Solid without slots
- 2: Segmented with slots
- 3: Solid with slots
- 4: Segmented without slots & with blade holders
- 5: Solid without slots & with blade holders



#### Martin Engineering USA

One Martin Place  
 Neponset, IL 61345-9766 USA  
 800 544 2947 or 309 852 2384  
 Fax 800 814 1553  
 www.martin-eng.com

**COMPANY WITH  
 QUALITY SYSTEM  
 CERTIFIED BY DNV GL  
 = ISO 9001 =**