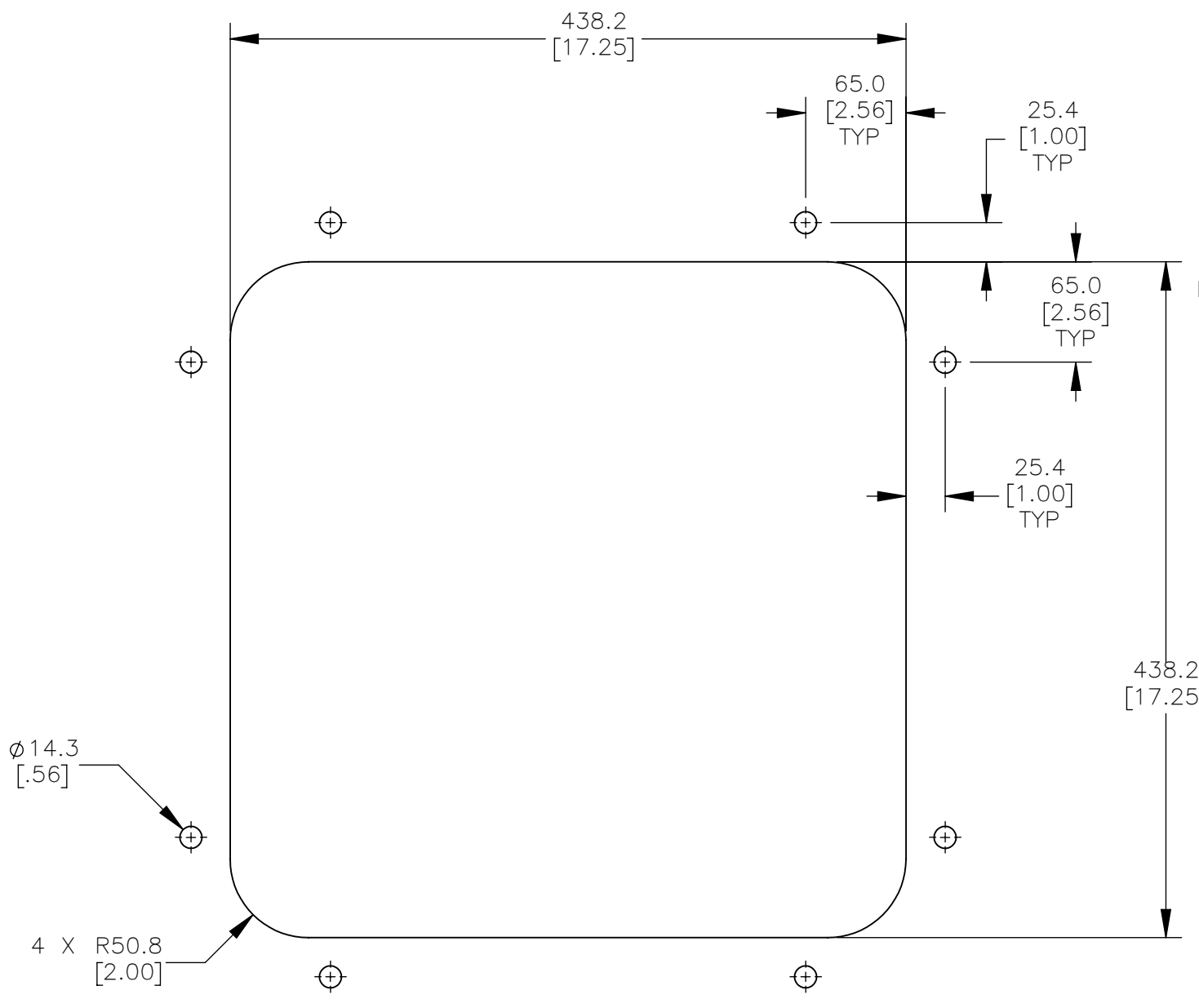
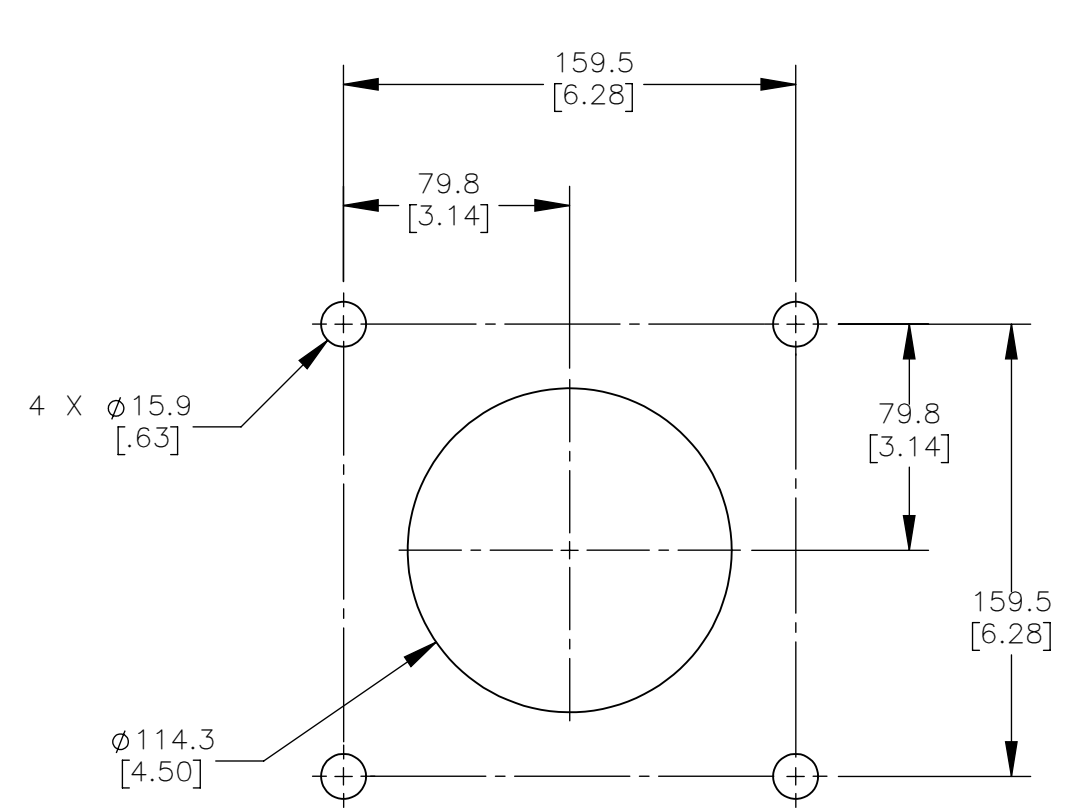


PART NUMBER	BELT WIDTH	DIM "A" MAX FRAME LENGTH	DIM "B" BLADE COVERAGE
C1QCGDS48S6XXPX	1200-1400 [48.00]	2438.4 [96.00]	1066.8 [42.00]
C1QCGDS54S6XXPX	1350-1400 [54.00]	2590.8 [102.00]	1219.2 [48.00]
C1QCGDS54S6XXPX	1350-1400 [54.00]	2590.8 [102.00]	1066.8 [42.00]
C1QCGDS60S6XXPX	1600-1800 [60.00]	2743.2 [108.00]	1371.6 [54.00]
C1QCGDS60S6XXPX	1600-1800 [60.00]	2743.2 [108.00]	1219.2 [48.00]
C1QCGDS72S6XXPX	1800-2000 [72.00]	3048.0 [120.00]	1676.4 [66.00]
C1QCGDS72S6XXPX	1800-2000 [72.00]	3048.0 [120.00]	1524.0 [60.00]
C1QCGDS84S6XXPX	2000-2200 [84.00]	3352.8 [132.00]	1981.2 [78.00]
C1QCGDS84S6XXPX	2000-2200 [84.00]	3352.8 [132.00]	1828.8 [72.00]
C1QCGDS96S6XXPX	2400-2450 [96.00]	3657.6 [144.00]	2286.0 [90.00]
C1QCGDS96S6XXPX	2400-2450 [96.00]	3657.6 [144.00]	2133.6 [84.00]
C1QCGDSA2S6XXPX	2550-2600 [102.00]	3810.0 [150.00]	2438.4 [96.00]
C1QCGDSA2S6XXPX	2550-2600 [102.00]	3810.0 [150.00]	2286.0 [90.00]
C1QCGDSB4S6XXPX	2800-3000 [114.00]	4114.8 [162.00]	2743.2 [108.00]
C1QCGDSB4S6XXPX	2800-3000 [114.00]	4114.8 [162.00]	2590.8 [102.00]
C1QCGDSC0S6XXPX	3000-3050 [120.00]	4267.2 [168.00]	2895.6 [114.00]
C1QCGDSC0S6XXPX	3000-3050 [120.00]	4267.2 [168.00]	2743.2 [108.00]

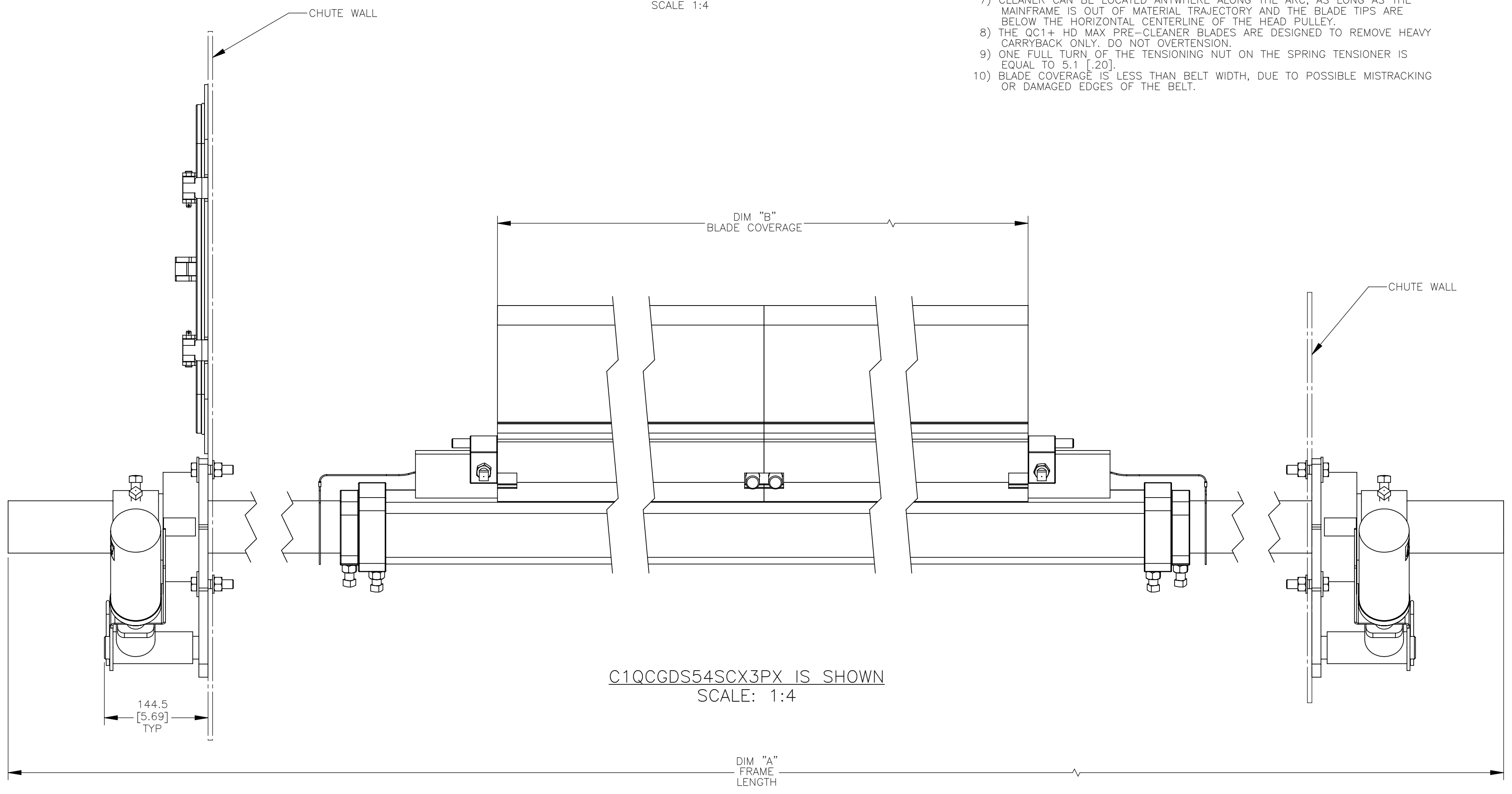
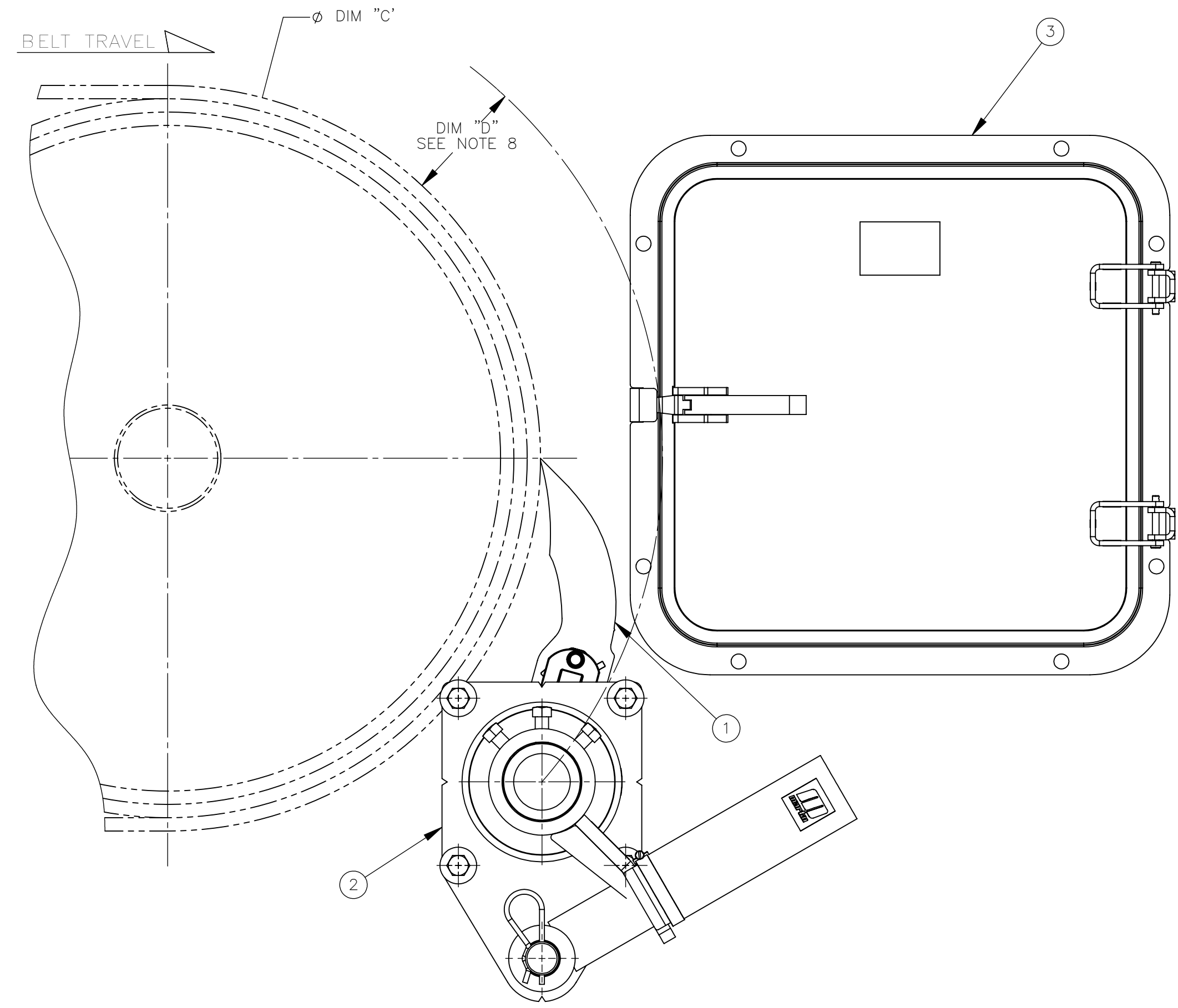
BLADE COLOR CHART	
ASSEMBLY PART NO.	BLADE COLOR
C1QCGKXXSXOX	ORANGE
C1QCGKXXSXBX	BROWN
C1QCGKXXSXTX	TAN
C1QCGKXXSXGX	GREEN
C1QCGKXXSXNX	NAVY BLUE

ITEM	QTY.	DESCRIPTION	PART NUMBER
1	1	MARTIN QC1+ HD MAX DUAL BLADE ASSEMBLY	SEE CHART
2	1	MARTIN DUAL UNIVERSAL SPRING TENSIONER	38003-2
3	1	MARTIN LOW PROFILE ACCESS DOOR	CYA-1818

MOUNTING LOCATION CHART	
Ø DIM "C" HEAD PULLEY DIA. INCLUDING BELT AND LAGGING	DIM "D"
406.4 [16.00]	146.1 [5.75]
508.0 [20.00]	139.7 [5.50]
609.6 [24.00]	133.4 [5.25]
711.2 [28.00]	127.0 [5.00]
762.0-3048.0 [30.00-120.00]	120.7 [4.75]



- NOTES:
- ALL DIMENSIONS ARE GIVEN IN MM [INCHES]. ALL DIMENSIONS ARE FOR REFERENCE ONLY.
 - IN THE C1QCGD PART NUMBER THE FIRST SIX INDICATES THE BELT WIDTH IN STANDARD INCH UNITS FOR BELT WIDTHS 54-120.
S54 = 54
SB4 = 114
SC0 = 120
THE NEXT SIX INDICATES THE LESS BELT WIDTH BLADE COVERAGE IN STANDARD INCH UNITS.
00 = NO BLADE
S6 = 6 INCHES LESS BELT WIDTH
SC = 12 INCHES LESS BELT WIDTH
THE FOURTH X IN THE PART NUMBER INDICATES THE BLADE COLOR:
0 = NO BLADE
B = BROWN
T = TAN
G = GREEN
N = NAVY BLUE
O = ORANGE
THE FIFTH X INDICATES IF THE BLADE IS SOLID OR SEGMENTED:
0 = NO BLADE
1 = SOLID BLADE WITH SLOTS
2 = SEGMENTED BLADE WITH SLOTS
THE 'P' IN THE PART NUMBER INDICATES A PAINTED STEEL MAINFRAME.
THE LAST X INDICATES THE TENSIONER OPTIONS:
BLANK = NO TENSIONER
S = DUAL UNIVERSAL SPRING TENSIONER (38003-2)
 - FOR EASY ACCESSIBILITY AND MAINTENANCE, MARTIN ENGINEERING RECOMMENDS BOLTING CLEANER TO EXISTING STRUCTURE WHEN APPLICABLE.
 - CLEANER IS SHOWN IN RECOMMENDED WORKING POSITION.
 - WHERE EXTREME OR UNUSUAL CONDITIONS EXIST, OR SPECIAL MAINFRAME LENGTHS ARE REQUIRED CONTACT MARIN ENGINEERING.
 - REFER TO OPERATOR'S MANUALS M4173, & M3891 FOR COMPLETE INSTALLATION INSTRUCTIONS.
 - CLEANER CAN BE LOCATED ANYWHERE ALONG THE ARC, AS LONG AS THE MAINFRAME IS OUT OF MATERIAL TRAJECTORY AND THE BLADE TIPS ARE BELOW THE HORIZONTAL CENTERLINE OF THE HEAD PULLEY.
 - THE QC1+ HD MAX PRE-CLEANER BLADES ARE DESIGNED TO REMOVE HEAVY CARRYBACK ONLY. DO NOT OVERTENSION.
 - ONE FULL TURN OF THE TENSIONING NUT ON THE SPRING TENSIONER IS EQUAL TO 5.1 [0.20].
 - BLADE COVERAGE IS LESS THAN BELT WIDTH, DUE TO POSSIBLE MISTRACKING OR DAMAGED EDGES OF THE BELT.



Copyright 2022 Martin Engineering. All rights reserved. Covered by U.S. and foreign patents pending and issued. ® and TM indicate trademarks of Martin Engineering.

MARTIN ENGINEERING
NEPONSET, IL USA

TITLE: MARTIN QC1+ HD MAX DUAL BLADE CLEANER WITH DUAL UNIVERSAL SPRING TENSIONER & 18X18 ACCESS DOOR

DRAWN: MH DATE: 03/11/22
CHECKED: JAH DATE: 03/14/22
APPROVED: JAH DATE: 03/14/22

NO.	DESCRIPTION	ECN	DATE	BY
A	ADDED P/N C1QCGDS48S6XXPX TO CHART (PR14353)	----	06/21/22	JAH

SALES DRAWING PR14198 S50145D-D SCALE 1:4