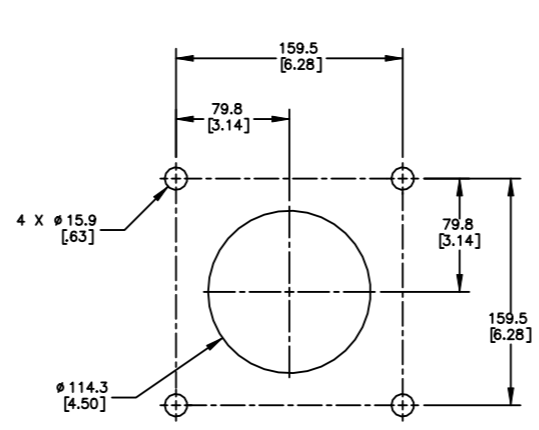
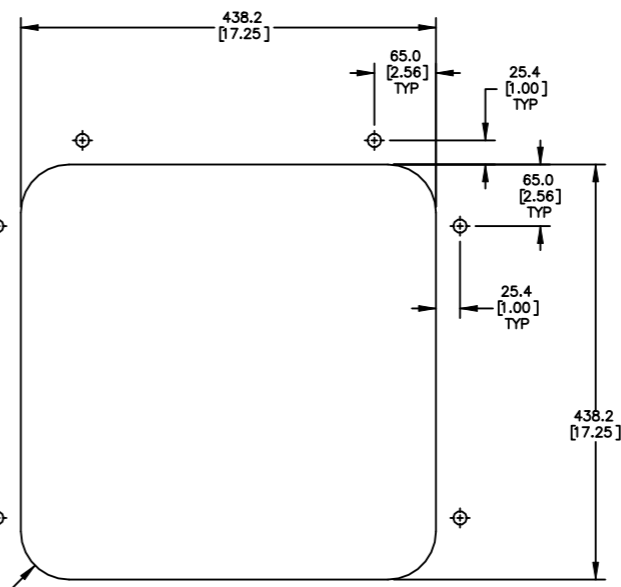


| PART NUMBER | BELT WIDTH | DIM "A" MAX FRAME LENGTH | DIM "B" BLADE COVERAGE |
|-----------------|--------------------|--------------------------|------------------------|
| C1QCG3S18S6XXPX | 400-500 [18.00] | 1676.4 [66.00] | 304.8 [12.00] |
| C1QCG3S18S8XXPX | 400-500 [18.00] | 1676.4 [66.00] | 254.0 [10.00] |
| C1QCG3S18SXXPX | 400-500 [18.00] | 1676.4 [66.00] | 152.4 [6.00] |
| C1QCG3S24S6XXPX | 500-650 [24.00] | 1828.8 [72.00] | 457.2 [18.00] |
| C1QCG3S24S8XXPX | 500-650 [24.00] | 1828.8 [72.00] | 406.4 [16.00] |
| C1QCG3S24SXXPX | 500-650 [24.00] | 1828.8 [72.00] | 304.8 [12.00] |
| C1QCG3S30S6XXPX | 650-800 [30.00] | 1981.2 [78.00] | 609.6 [24.00] |
| C1QCG3S30S8XXPX | 650-800 [30.00] | 1981.2 [78.00] | 558.8 [22.00] |
| C1QCG3S30SXXPX | 650-800 [30.00] | 1981.2 [78.00] | 457.2 [18.00] |
| C1QCG3S36S6XXPX | 800-1000 [36.00] | 2133.6 [84.00] | 762.0 [30.00] |
| C1QCG3S36S8XXPX | 800-1000 [36.00] | 2133.6 [84.00] | 711.2 [28.00] |
| C1QCG3S36SXXPX | 800-1000 [36.00] | 2133.6 [84.00] | 609.6 [24.00] |
| C1QCG3S42S6XXPX | 1000-12000 [42.00] | 2286.0 [90.00] | 914.4 [36.00] |
| C1QCG3S42S8XXPX | 1000-12000 [42.00] | 2286.0 [90.00] | 863.6 [34.00] |
| C1QCG3S42SXXPX | 1000-12000 [42.00] | 2286.0 [90.00] | 762.0 [30.00] |

| BLADE COLOR CHART | |
|-------------------|-------------|
| ASSEMBLY PART NO. | BLADE COLOR |
| C1QCGBSXXSXOX | ORANGE |
| C1QCGBSXXSXBX | BROWN |
| C1QCGBSXXSXTX | TAN |
| C1QCGBSXXSXGX | GREEN |
| C1QCGBSXXSXNX | NAVY BLUE |



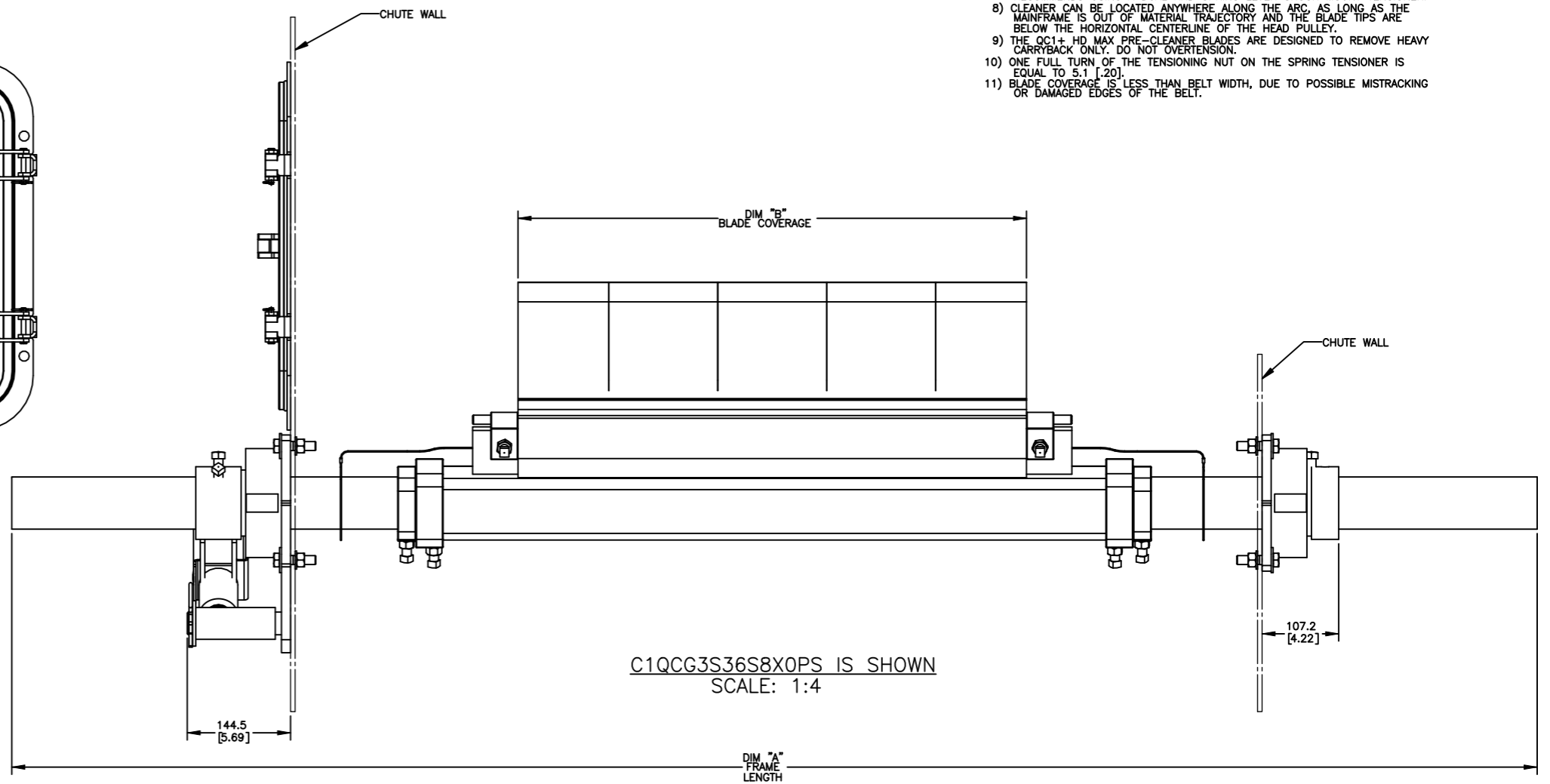
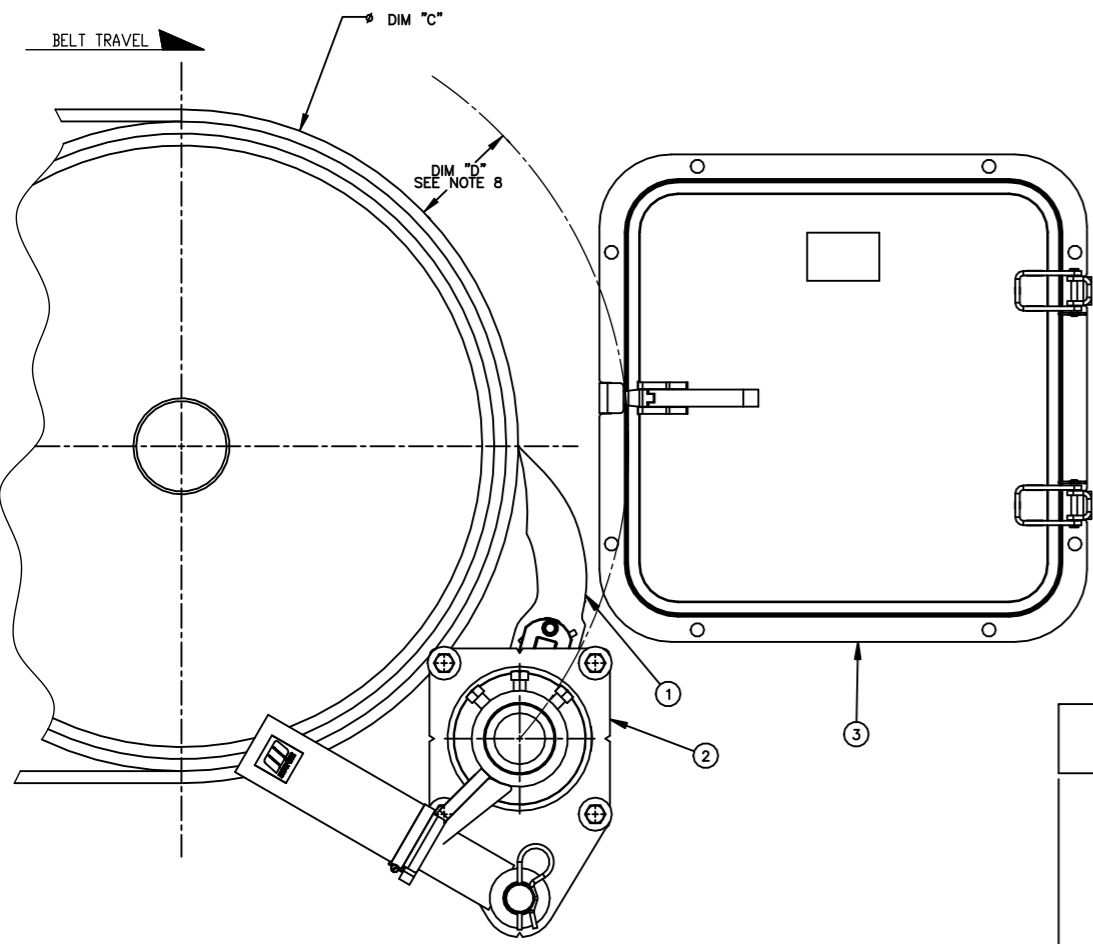
TENSIONER CHUTE CUTOUT DETAIL
SCALE 3:8
TYPICAL BOTH SIDES



ACCESS DOOR CUTOUT DETAIL
SCALE 1:4

- NOTES:
- ALL DIMENSIONS ARE GIVEN IN MM [INCHES]. ALL DIMENSIONS ARE FOR REFERENCE ONLY.
 - IN THE C1QCG3S PART NUMBER THE FIRST SIX INDICATES THE BELT WIDTH IN STANDARD INCH UNITS FOR BELT WIDTHS 18-42.
 - THE NEXT SIX INDICATES THE LESS BELT WIDTH BLADE COVERAGE IN STANDARD INCH UNITS.
00 = NO BLADE
S6 = 6 LESS BELT WIDTH
S8 = 8 LESS BELT WIDTH
S18 = 18
S24 = 24
S42 = 42
 - THE FOURTH X IN THE PART NUMBER INDICATES THE BLADE COLOR:
0 = NO BLADE
B = BROWN
T = TAN
G = GREEN
N = NAVY BLUE
O = ORANGE
 - THE FIFTH X INDICATES IF THE BLADE IS SOLID OR SEGMENTED:
0 = SEGMENTED BLADE / NO BLADE
1 = SOLID BLADE
 - THE P IN THE PART NUMBER INDICATES A PAINTED STEEL MAINFRAME. THE LAST X INDICATES THE TENSIONER OPTIONS:
BLANK = NO TENSIONER
S = UNIVERSAL SPRING TENSIONER (38003)
 - FOR EASY ACCESSIBILITY AND MAINTENANCE, MARTIN ENGINEERING RECOMMENDS BOLTING CLEANER TO EXISTING STRUCTURE WHEN APPLICABLE.
 - CLEANER IS SHOWN IN RECOMMENDED WORKING POSITION.
 - WHERE EXTREME OR UNUSUAL CONDITIONS EXIST, OR SPECIAL MAINFRAME LENGTHS ARE REQUIRED CONTACT MARIN ENGINEERING.
 - REFER TO OPERATOR'S MANUALS M4173, & M3891 FOR COMPLETE INSTALLATION INSTRUCTIONS.
 - FOR BELT WIDTHS [48.00] AND LARGER, MARTIN ENGINEERING RECOMMENDS USING A DUAL XHD SPRING LEVER SHOCK MOUNT TENSIONER.
 - CLEANER CAN BE LOCATED ANYWHERE ALONG THE ARC, AS LONG AS THE MAINFRAME IS OUT OF MATERIAL TRAJECTORY AND THE BLADE TIPS ARE BELOW THE HORIZONTAL CENTERLINE OF THE HEAD PULLEY.
 - THE QC1+ HD MAX PRE-CLEANER BLADES ARE DESIGNED TO REMOVE HEAVY CARRYBACK ONLY. DO NOT OVERTENSION.
 - ONE FULL TURN OF THE TENSIONING NUT ON THE SPRING TENSIONER IS EQUAL TO 5.1 [20].
 - BLADE COVERAGE IS LESS THAN BELT WIDTH, DUE TO POSSIBLE MISTRACKING OR DAMAGED EDGES OF THE BELT.

| MOUNTING LOCATION CHART | |
|---|--------------|
| HEAD PULLEY DIA. INCLUDING BELT AND LAGGING | DIM "D" |
| 406.4 [16.00] | 146.1 [5.75] |
| 508.0 [20.00] | 139.7 [5.50] |
| 609.6 [24.00] | 133.4 [5.25] |
| 711.2 [28.00] | 127.0 [5.00] |
| 762.0-3048.0 [30.00-120.00] | 120.7 [4.75] |



C1QCG3S36S8X0PS IS SHOWN
SCALE: 1:4

© Copyright 2022 Martin Engineering. All rights reserved. Covered by U.S. and foreign patents pending and issued. and indicate trademarks of Martin Engineering.

MARTIN ENGINEERING
NEPONSET, IL USA

| | | | |
|-------|--|----------|----------|
| TITLE | MARTIN QC1+ HD MAX 3PC PRE-CLEANER WITH UNIVERSAL SPRING TENSIONER & 18X18 ACCESS DOOR | DRAWN | MH |
| | | DATE | 03/11/22 |
| | | CHECKED | |
| | | ENG. | RAK |
| | | DATE | 03/14/22 |
| | | APPROVED | |
| | | DATE | 03/14/22 |

| | | | | |
|------------|-------------|-----|------|----|
| NO. | DESCRIPTION | ECN | DATE | BY |
| SOLIDWORKS | REVISION | | | |

SALES DRAWING PR14198 S50145-S SCALE 1:4