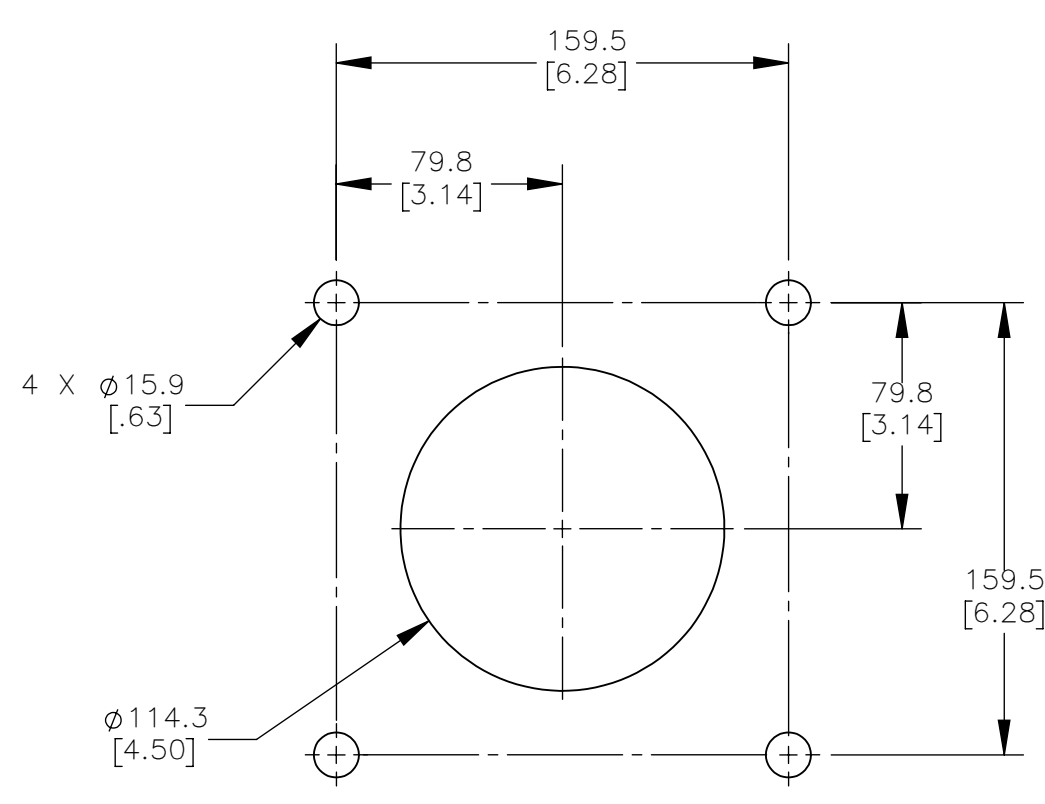


PART NUMBER	BELT WIDTH	DIM "A" MAX FRAME LENGTH	DIM "B" BLADE COVERAGE
C1QCE3S18S6XXPX	400-500 [18.00]	1676.4 [66.00]	304.8 [12.00]
C1QCE3S18S8XXPX	400-500 [18.00]	1676.4 [66.00]	254.0 [10.00]
C1QCE3S18S6XXPX	400-500 [18.00]	1676.4 [66.00]	152.4 [6.00]
C1QCE3S24S6XXPX	500-650 [24.00]	1828.8 [72.00]	457.2 [18.00]
C1QCE3S24S8XXPX	500-650 [24.00]	1828.8 [72.00]	406.4 [16.00]
C1QCE3S24S6XXPX	500-650 [24.00]	1828.8 [72.00]	304.8 [12.00]
C1QCE3S30S6XXPX	650-800 [30.00]	1981.2 [78.00]	609.6 [24.00]
C1QCE3S30S8XXPX	650-800 [30.00]	1981.2 [78.00]	558.8 [22.00]
C1QCE3S30S6XXPX	650-800 [30.00]	1981.2 [78.00]	457.2 [18.00]
C1QCE3S36S6XXPX	800-1000 [36.00]	2133.6 [84.00]	762.0 [30.00]
C1QCE3S36S8XXPX	800-1000 [36.00]	2133.6 [84.00]	711.2 [28.00]
C1QCE3S36S6XXPX	800-1000 [36.00]	2133.6 [84.00]	609.6 [24.00]
C1QCE3S42S6XXPX	1000-12000 [42.00]	2286.0 [90.00]	914.4 [36.00]
C1QCE3S42S8XXPX	1000-12000 [42.00]	2286.0 [90.00]	863.6 [34.00]
C1QCE3S42S6XXPX	1000-12000 [42.00]	2286.0 [90.00]	762.0 [30.00]

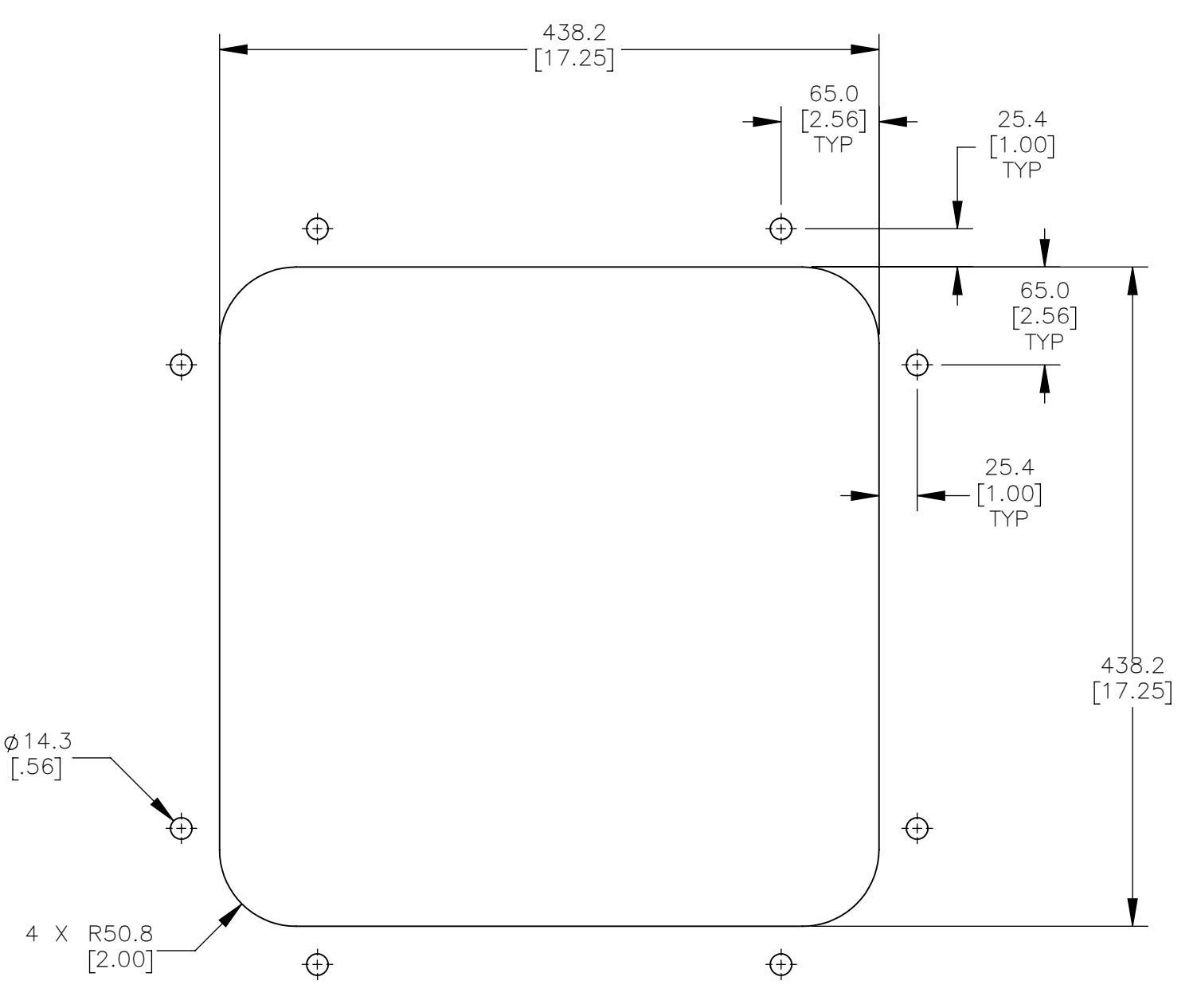
BLADE COLOR CHART	
ASSEMBLY PART NO.	BLADE COLOR
C1QCEBSXXSXX	ORANGE
C1QCEBSXXSXB	BROWN
C1QCEBSXXSXT	TAN
C1QCEBSXXSXG	GREEN
C1QCEBSXXSXN	NAVY BLUE
C1QCEBSXXSXC	YELLOW W/CERAMIC BEADS

\*\* = THESE BLADES ARE ONLY OFFERED AS SEGMENTED (10). THESE BLADES ARE INDIVIDUAL 152.4 [6.00] WIDE BLADES. ALL THE OTHER COLOR BLADES CAN BE SEGMENTED BY CUTTING THE SOLID BLADE. SEGMENTS HAVE 0.0 [0.00] WIDTH WITH NO MATERIAL REMOVED.

MOUNTING LOCATION CHART	
Ø DIM "C" HEAD PULLEY DIA. INCLUDING BELT AND LAGGING	DIM "D"
406.4 [16.00]	146.1 [5.75]
508.0 [20.00]	139.7 [5.50]
609.6 [24.00]	133.4 [5.25]
711.2 [28.00]	127.0 [5.00]
762.0-3048.0 [30.00-120.00]	120.7 [4.75]

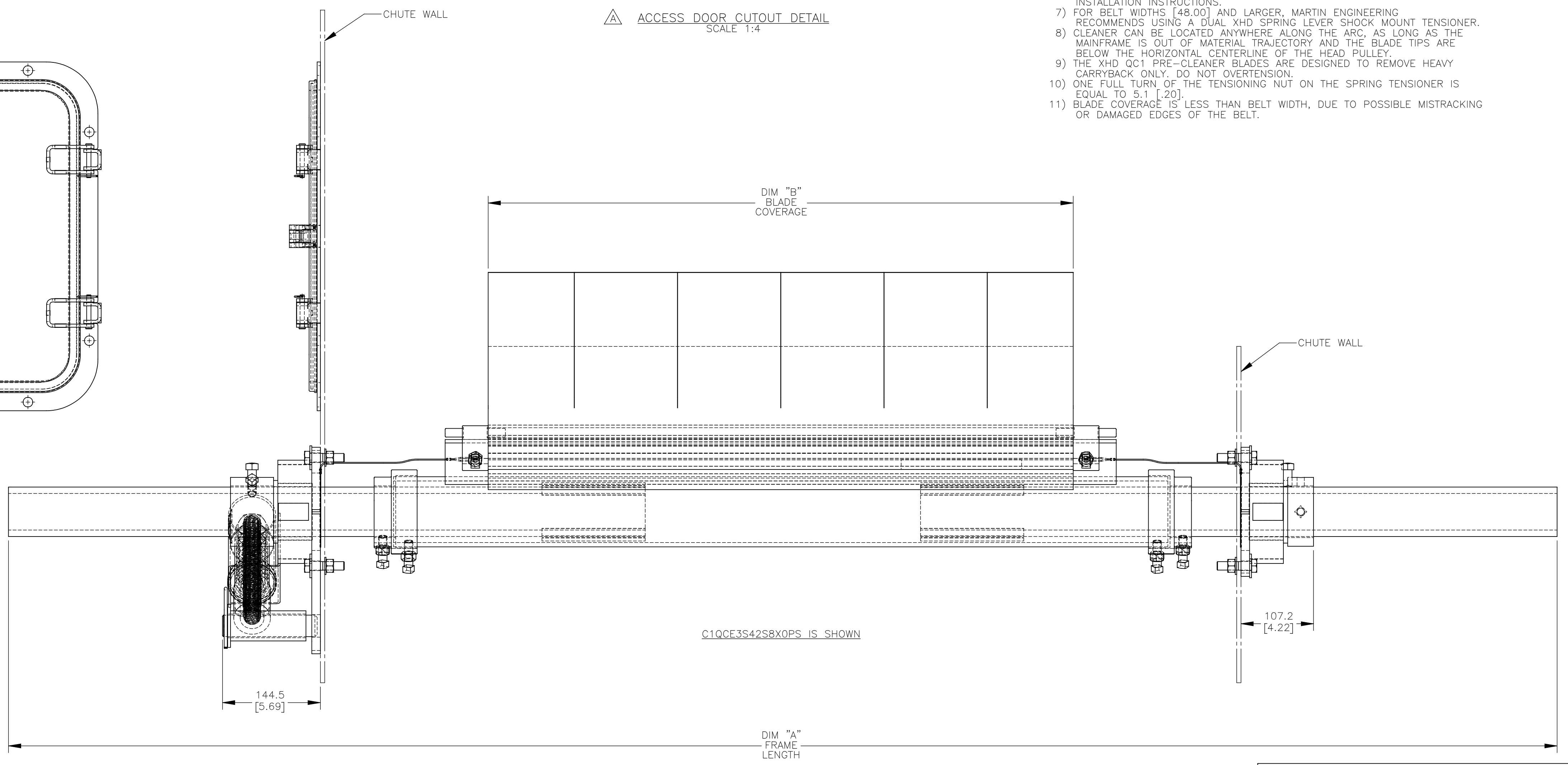
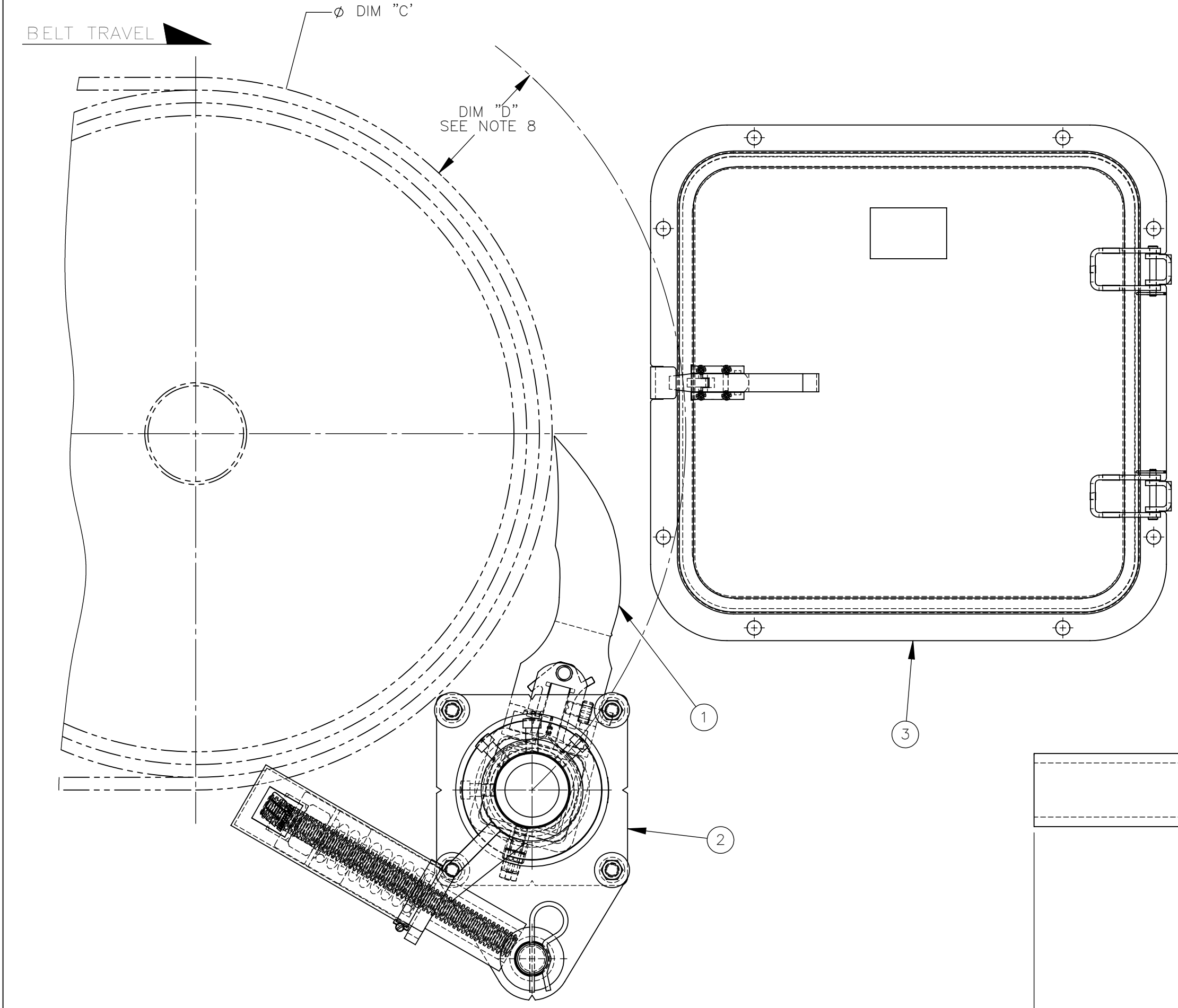


TENSIONER CHUTE CUTOUT DETAIL  
SCALE 3/8  
TYPICAL BOTH SIDES



ACCESS DOOR CUTOUT DETAIL  
SCALE 1/4

- NOTES:
- ALL DIMENSIONS ARE GIVEN IN MM [INCHES]. ALL DIMENSIONS ARE FOR REFERENCE ONLY.
  - IN THE C1QCE3 PART NUMBER THE FIRST SXX INDICATES THE BELT WIDTH IN STANDARD INCH UNITS FOR BELT WIDTHS 18-42.  
S18 = 18  
S24 = 24  
S42 = 42  
THE NEXT SX INDICATES THE LESS BELT WIDTH BLADE COVERAGE IN STANDARD INCH UNITS.  
00 = NO BLADE  
S6 = 6 LESS BELT WIDTH  
S8 = 8 LESS BELT WIDTH  
S12 = 12 LESS BELT WIDTH
  - THE FOURTH X IN THE PART NUMBER INDICATES THE BLADE COLOR:  
0 = NO BLADE  
B = BROWN  
T = TAN  
G = GREEN  
N = NAVY BLUE  
O = ORANGE  
C = YELLOW WITH CERAMIC BEADS (ONLY AVAILABLE AS A SEGMENTED BLADE)
  - THE FIFTH X INDICATES IF THE BLADE IS SOLID OR SEGMENTED:  
0 = SEGMENTED BLADE / NO BLADE  
1 = SOLID BLADE
  - THE P IN THE PART NUMBER INDICATES A PAINTED STEEL MAINFRAME.  
THE LAST X INDICATES THE TENSIONER OPTIONS:  
BLANK = NO TENSIONER  
S = UNIVERSAL SPRING TENSIONER (38003)
  - FOR EASY ACCESSIBILITY AND MAINTENANCE, MARTIN ENGINEERING RECOMMENDS BOLTING CLEANER TO EXISTING STRUCTURE WHEN APPLICABLE.
  - CLEANER IS SHOWN IN RECOMMENDED WORKING POSITION.
  - WHERE EXTREME OR UNUSUAL CONDITIONS EXIST, OR SPECIAL MAINFRAME LENGTHS ARE REQUIRED CONTACT MARIN ENGINEERING.
  - REFER TO OPERATOR'S MANUALS M4175, & M3891 FOR COMPLETE INSTALLATION INSTRUCTIONS.
  - FOR BELT WIDTHS [48.00] AND LARGER, MARTIN ENGINEERING RECOMMENDS USING A DUAL XHD SPRING LEVER SHOCK MOUNT TENSIONER.
  - CLEANER CAN BE LOCATED ANYWHERE ALONG THE ARC, AS LONG AS THE MAINFRAME IS OUT OF MATERIAL TRAJECTORY AND THE BLADE TIPS ARE BELOW THE HORIZONTAL CENTERLINE OF THE HEAD PULLEY.
  - THE XHD QC1 PRE-CLEANER BLADES ARE DESIGNED TO REMOVE HEAVY CARRYBACK ONLY. DO NOT OVERTENSION.
  - ONE FULL TURN OF THE TENSIONING NUT ON THE SPRING TENSIONER IS EQUAL TO 5.1 [0.20].
  - BLADE COVERAGE IS LESS THAN BELT WIDTH, DUE TO POSSIBLE MISTRACKING OR DAMAGED EDGES OF THE BELT.



NO.	DESCRIPTION	ECN	DATE	BY
A	CHGD P/N CYA-1218 TO CYA-1818 IN BOM / CHGD DOOR CUTOUT DETAIL FROM CYA-1218 TO CYA-1818.	16025B	05/04/22	MH

Copyright 2021 Martin Engineering. All rights reserved. Covered by U.S. and foreign patents pending and issued. ® and TM indicate trademarks of Martin Engineering.

**MARTIN ENGINEERING**  
NEPONSET, IL USA

TITLE: MARTIN QC1+ XHD 3PC PRE-CLEANER W/UNIVERSAL SPRING TENSIONER & 18X18 ACCESS DOOR

DRAWN: MH  
DATE: 09/27/21  
CHECKED: [Signature]  
DATE: 09/27/21  
APPROVED: [Signature]  
DATE: 09/27/21  
SCALE: 1:4

SALES DRAWING  
PR14163A S50144-S