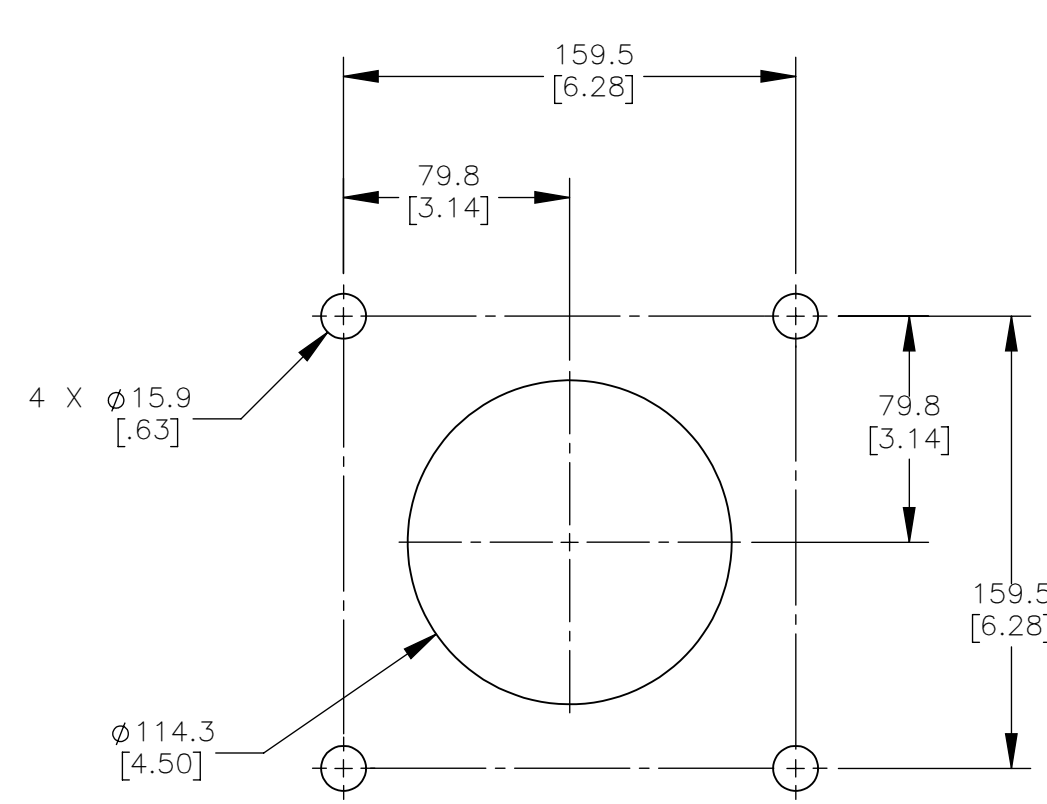


PART NUMBER	BELT WIDTH	DIM "A" MAX FRAME LENGTH	DIM "B" BLADE COVERAGE
C1QCE1S48S6XXPX	1200-1400 [48.00]	2438.4 [96.00]	1066.8 [42.00]
C1QCE1S48S8XXPX	1200-1400 [48.00]	2438.4 [96.00]	1016.0 [40.00]
C1QCE1S48SCXXPX	1200-1400 [48.00]	2438.4 [96.00]	914.4 [36.00]
C1QCE1S54S6XXPX	1400-1600 [54.00]	2590.8 [102.00]	1219.2 [48.00]
C1QCE1S54S8XXPX	1400-1600 [54.00]	2590.8 [102.00]	1168.4 [46.00]
C1QCE1S54SCXXPX	1400-1600 [54.00]	2590.8 [102.00]	1066.8 [42.00]
C1QCE1S60S6XXPX	1600-1800 [60.00]	2743.2 [108.00]	1371.6 [54.00]
C1QCE1S60S8XXPX	1600-1800 [60.00]	2743.2 [108.00]	1320.8 [52.00]
C1QCE1S60SCXXPX	1600-1800 [60.00]	2743.2 [108.00]	1219.2 [48.00]
C1QCE1S66S6XXPX	1700-1800 [66.00]	2895.6 [114.00]	1524.0 [60.00]
C1QCE1S66S8XXPX	1700-1800 [66.00]	2895.6 [114.00]	1473.2 [58.00]
C1QCE1S66SCXXPX	1700-1800 [66.00]	2895.6 [114.00]	1371.6 [54.00]
C1QCE1S72S6XXPX	1800-2000 [72.00]	3048.0 [120.00]	1676.4 [66.00]
C1QCE1S72S8XXPX	1800-2000 [72.00]	3048.0 [120.00]	1625.6 [64.00]
C1QCE1S72SCXXPX	1800-2000 [72.00]	3048.0 [120.00]	1524.0 [60.00]

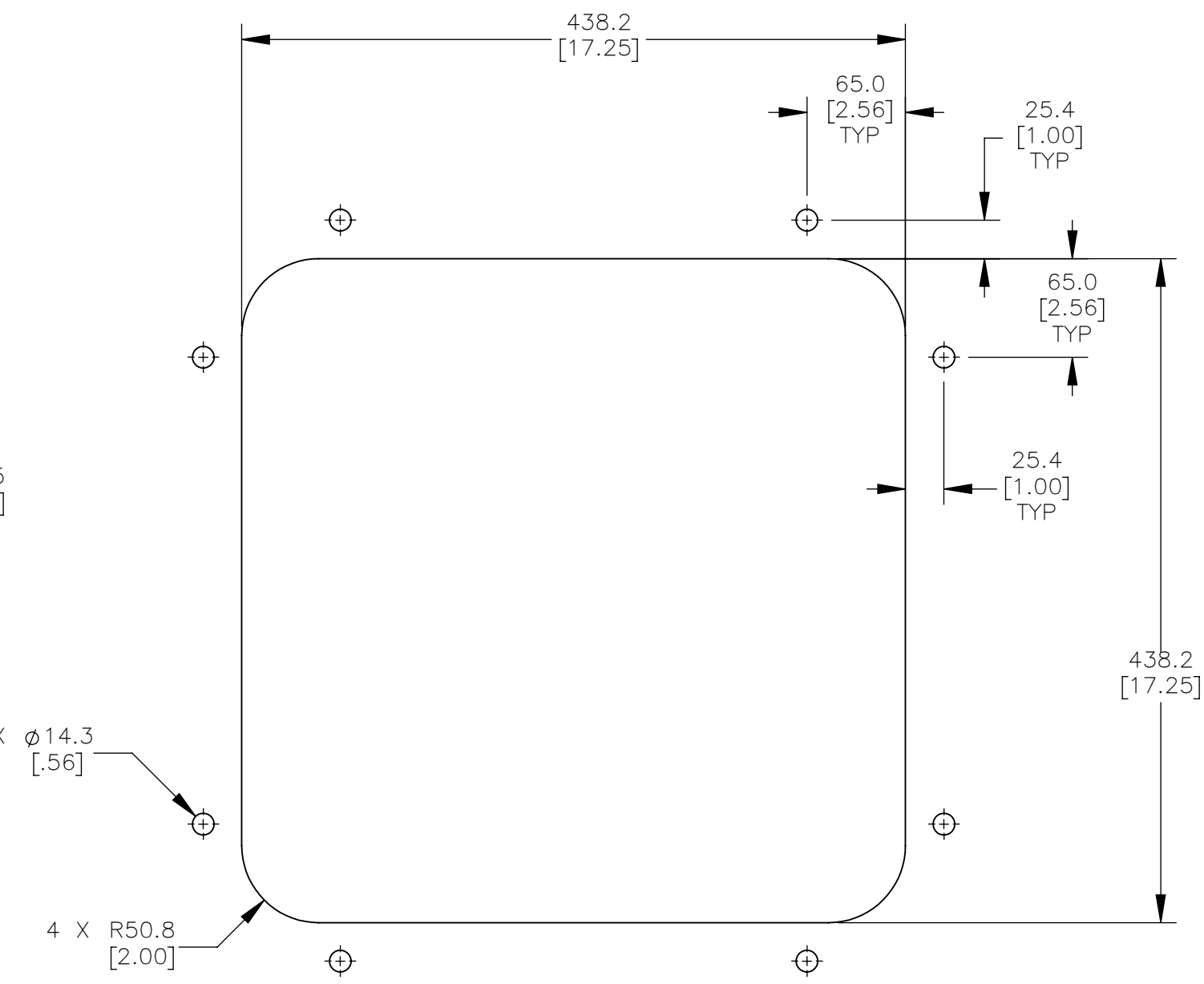
BLADE COLOR CHART	
ASSEMBLY PART NO.	BLADE COLOR
C1QCEBSXXSXOX	ORANGE
C1QCEBSXXSXB	BROWN
C1QCEBSXXSXTX	TAN
C1QCEBSXXSXGX	GREEN
C1QCEBSXXSXNX	NAVY BLUE
C1QCEBSXXSXX	YELLOW
C1QCEBSXXSXCX	YELLOW W/CERAMIC BEADS

** = THESE BLADES ARE ONLY OFFERED AS SEGMENTED. THESE BLADES ARE INDIVIDUAL 152.4 [6.00] WIDE BLADES. ALL THE OTHER COLOR BLADES CAN BE SEGMENTED BY CUTTING THE SOLID BLADE. SEGMENTS HAVE 0.0 [0.00] WIDTH WITH NO MATERIAL REMOVED.

MOUNTING LOCATION CHART	
Ø DIM "C" HEAD PULLEY DIA. INCLUDING BELT AND LAGGING	DIM "D"
406.4 [16.00]	146.1 [5.75]
508.0 [20.00]	139.7 [5.50]
609.6 [24.00]	133.4 [5.25]
711.2 [28.00]	127.0 [5.00]
762.0-3048.0 [30.00-120.00]	120.7 [4.75]



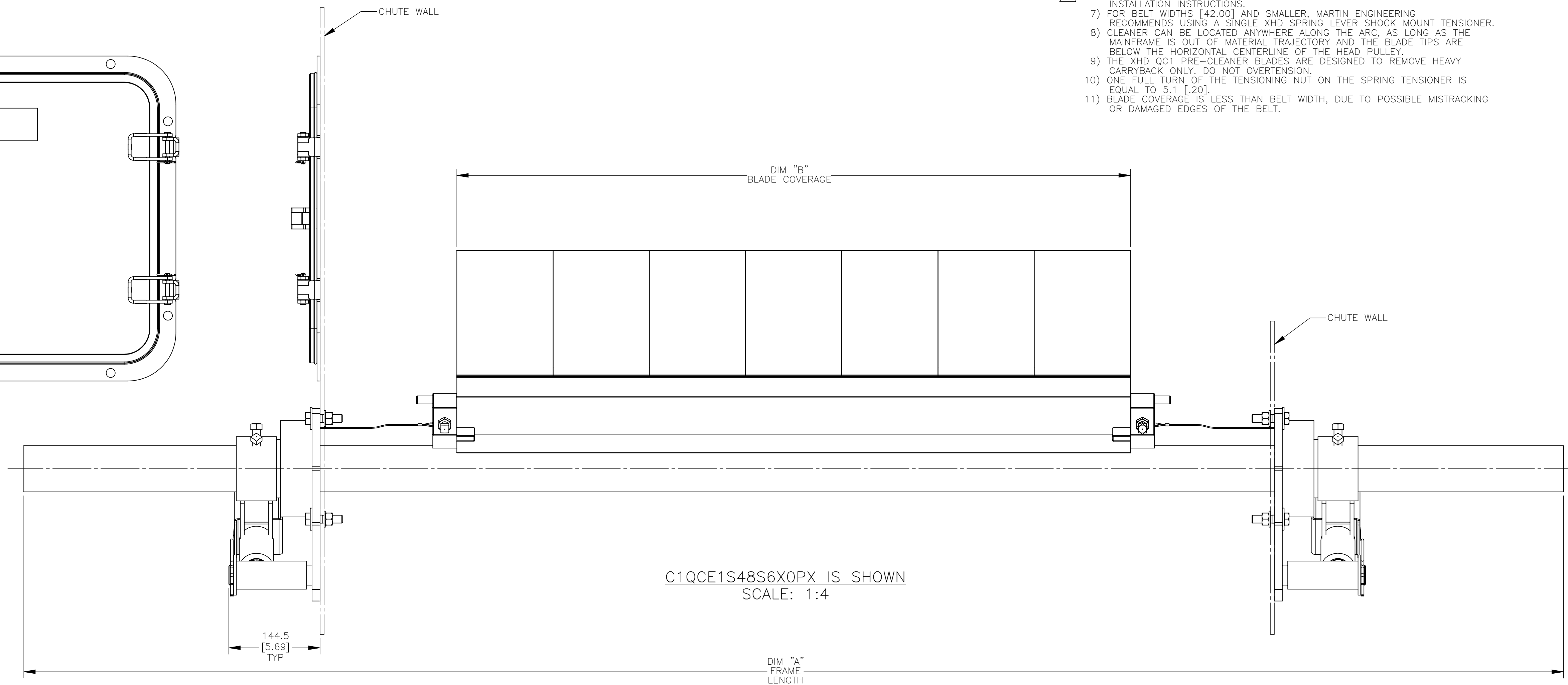
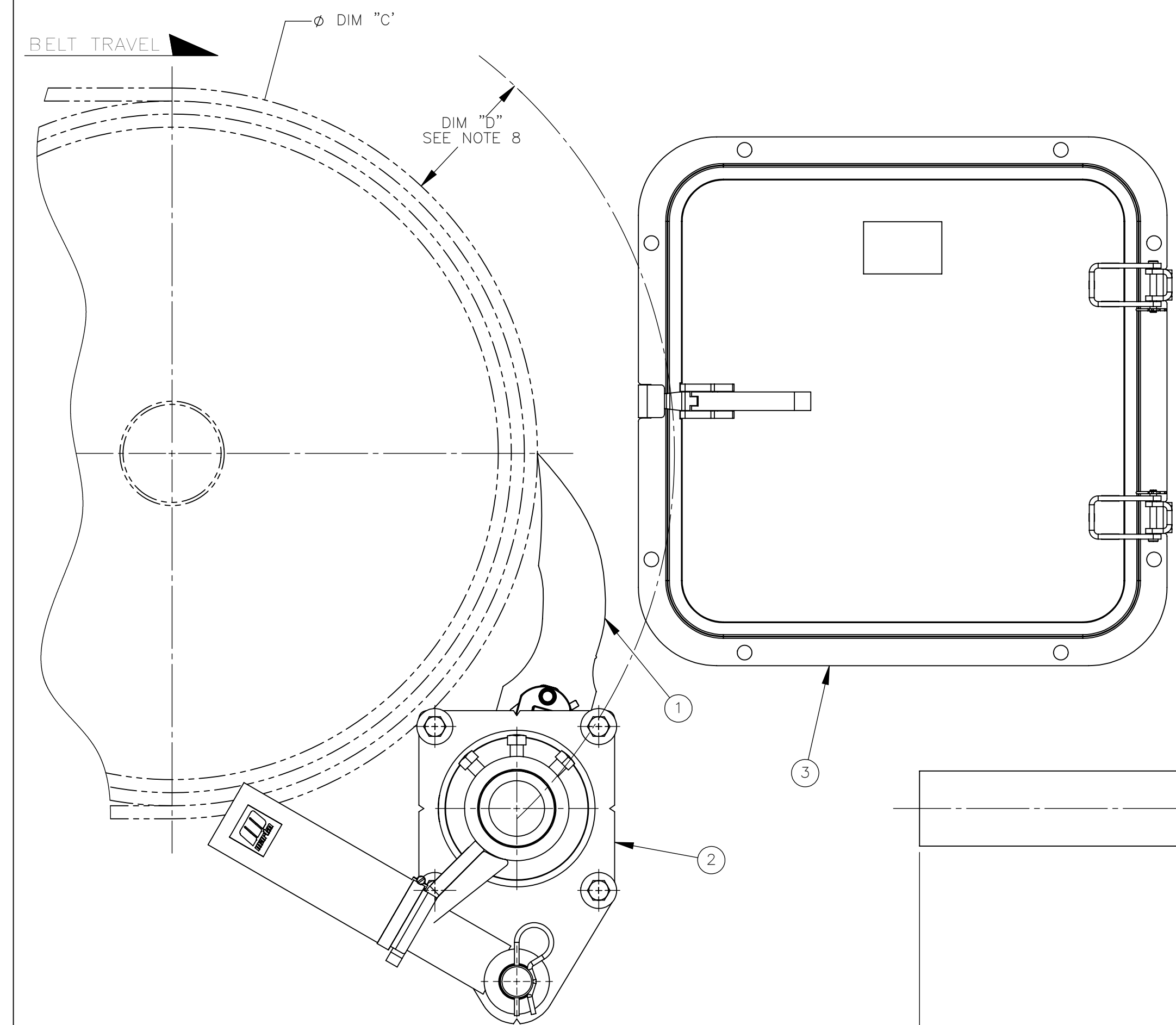
TENSIONER CHUTE CUTOUT DETAIL
SCALE 3:8
TYPICAL BOTH SIDES



ACCESS DOOR CUTOUT DETAIL
SCALE 1:4

NOTES:

- ALL DIMENSIONS ARE GIVEN IN MM [INCHES]. ALL DIMENSIONS ARE FOR REFERENCE ONLY.
- IN THE C1QCE1 PART NUMBER THE FIRST SXX INDICATES THE BELT WIDTH IN STANDARD INCH UNITS FOR BELT WIDTHS 48-72.
S48 = 48
S54 = 54
S72 = 72
THE NEXT SX INDICATES THE LESS BELT WIDTH BLADE COVERAGE IN STANDARD INCH UNITS.
00 = NO BLADE
S6 = 6 LESS BELT WIDTH
S8 = 8 LESS BELT WIDTH
SC = 12 LESS BELT WIDTH
THE FOURTH X IN THE PART NUMBER INDICATES THE BLADE COLOR:
0 = NO BLADE
B = BROWN
T = TAN
G = GREEN
N = NAVY BLUE
O = ORANGE
Y = YELLOW
C = YELLOW WITH CERAMIC BEADS (ONLY AVAILABLE AS A SEGMENTED BLADE)
THE FIFTH X INDICATES IF THE BLADE IS SOLID OR SEGMENTED:
0 = SEGMENTED BLADE / NO BLADE
1 = SOLID BLADE
THE P IN THE PART NUMBER INDICATES A PAINTED STEEL MAINFRAME.
THE LAST X INDICATES THE TENSIONER OPTIONS:
BLANK = NO TENSIONER
S = DUAL UNIVERSAL SPRING TENSIONER (38003-2)
- FOR EASY ACCESSIBILITY AND MAINTENANCE, MARTIN ENGINEERING RECOMMENDS BOLTING CLEANER TO EXISTING STRUCTURE WHEN APPLICABLE.
- CLEANER IS SHOWN IN RECOMMENDED WORKING POSITION.
- WHERE EXTREME OR UNUSUAL CONDITIONS EXIST, OR SPECIAL MAINFRAME LENGTHS ARE REQUIRED CONTACT MARIN ENGINEERING.
- REFER TO OPERATOR'S MANUALS M4175, & M3891 FOR COMPLETE INSTALLATION INSTRUCTIONS.
- FOR BELT WIDTHS [42.00] AND SMALLER, MARTIN ENGINEERING RECOMMENDS USING A SINGLE XHD SPRING LEVER SHOCK MOUNT TENSIONER.
- CLEANER CAN BE LOCATED ANYWHERE ALONG THE ARC, AS LONG AS THE MAINFRAME IS OUT OF MATERIAL TRAJECTORY AND THE BLADE TIPS ARE BELOW THE HORIZONTAL CENTERLINE OF THE HEAD PULLEY.
- THE XHD QC1 PRE-CLEANER BLADES ARE DESIGNED TO REMOVE HEAVY CARRYBACK ONLY. DO NOT OVERTENSION.
- ONE FULL TURN OF THE TENSIONING NUT ON THE SPRING TENSIONER IS EQUAL TO 5.1 [.20].
- BLADE COVERAGE IS LESS THAN BELT WIDTH, DUE TO POSSIBLE MISTRACKING OR DAMAGED EDGES OF THE BELT.



C1QCE1S48S6X0PX IS SHOWN
SCALE: 1:4

DIM "A"
FRAME
LENGTH

© Copyright 2021 Martin Engineering. All rights reserved. Covered by U.S. and foreign patents pending and issued. ® and TM indicate trademarks of Martin Engineering.



TITLE	MARTIN QC1+ XHD 1PC PRE-CLEANER W/DUAL UNIVERSAL SPRING TENSIONER & 18X18 ACCESS DOOR	DRAWN MH	DATE 04/01/21
NO.	DESCRIPTION	ECN	DATE
NO.	DESCRIPTION	ECN	DATE
SALES DRAWING		BY	DATE
REVISION		DATE	BY
PR14144C		S50141-D	
SCALE 1:4			

B	CHGD P/N CYA-1218 TO CYA-1818 IN BOM / CHGD DOOR CUTOUT DETAIL FROM CYA-1218 TO CYA-1818.	160258	05/04/22	MH
A	IN NOTE 6: CHNGD M3504 TO M4175 & M3127 TO M3891.	15967	09/24/21	MH
NO.	DESCRIPTION	ECN	DATE	BY