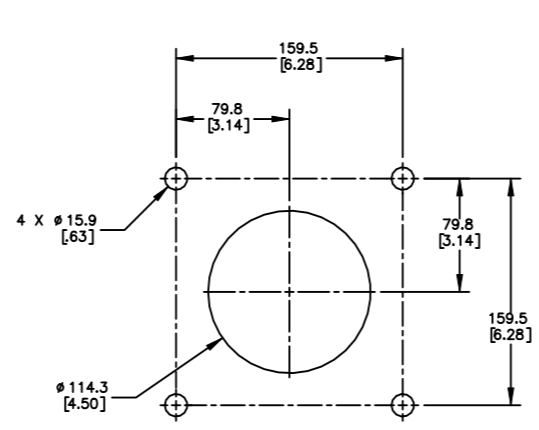


PART NUMBER	BELT WIDTH	DIM "A" MAX FRAME LENGTH	DIM "B" BLADE COVERAGE
C1QCE1S18S6XXPX	400-500 [18.00]	1676.4 [66.00]	304.8 [12.00]
C1QCE1S18S8XXPX	400-500 [18.00]	1676.4 [66.00]	254.0 [10.00]
C1QCE1S18SXXPX	400-500 [18.00]	1676.4 [66.00]	152.4 [6.00]
C1QCE1S24S6XXPX	500-650 [24.00]	1828.8 [72.00]	457.2 [18.00]
C1QCE1S24S8XXPX	500-650 [24.00]	1828.8 [72.00]	406.4 [16.00]
C1QCE1S24SXXPX	500-650 [24.00]	1828.8 [72.00]	304.8 [12.00]
C1QCE1S30S6XXPX	650-800 [30.00]	1981.2 [78.00]	609.6 [24.00]
C1QCE1S30S8XXPX	650-800 [30.00]	1981.2 [78.00]	558.8 [22.00]
C1QCE1S30SXXPX	650-800 [30.00]	1981.2 [78.00]	457.2 [18.00]
C1QCE1S36S6XXPX	800-1000 [36.00]	2133.6 [84.00]	762.0 [30.00]
C1QCE1S36S8XXPX	800-1000 [36.00]	2133.6 [84.00]	711.2 [28.00]
C1QCE1S36SXXPX	800-1000 [36.00]	2133.6 [84.00]	609.6 [24.00]
C1QCE1S42S6XXPX	1000-1200 [42.00]	2286.0 [90.00]	914.4 [36.00]
C1QCE1S42S8XXPX	1000-1200 [42.00]	2286.0 [90.00]	863.6 [34.00]
C1QCE1S42SXXPX	1000-1200 [42.00]	2286.0 [90.00]	762.0 [30.00]

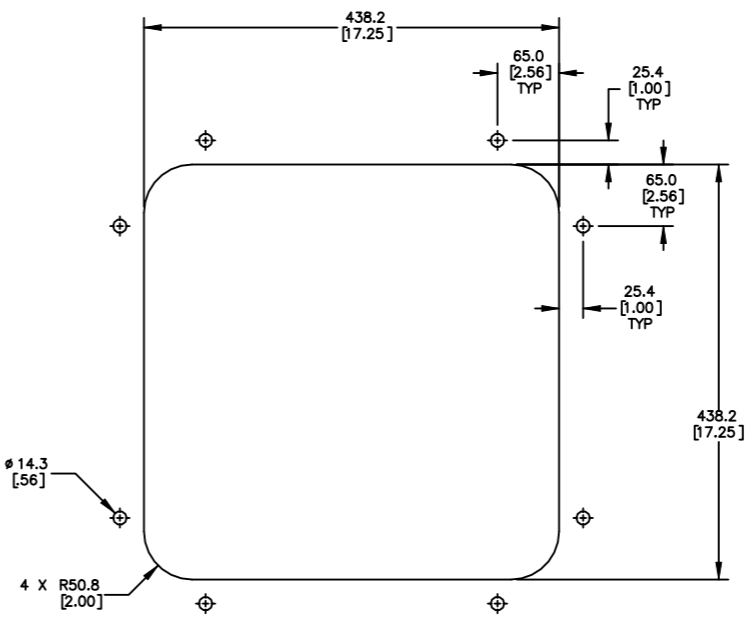
BLADE COLOR CHART	
ASSEMBLY PART NO.	BLADE COLOR
C1QCEBSXXSXOX	ORANGE
C1QCEBSXXSXBX	BROWN
C1QCEBSXXSXTX	TAN
C1QCEBSXXSGX	GREEN
C1QCEBSXXSXNX	NAVY BLUE
C1QCEBSXXSYX	YELLOW
C1QCEBSXXSXCX	YELLOW W/CERAMIC BEADS

** = THESE BLADES ARE ONLY OFFERED AS SEGMENTED. THESE BLADES ARE INDIVIDUAL 152.4 [6.00] WIDE BLADES. ALL THE OTHER COLOR BLADES CAN BE SEGMENTED BY CUTTING THE SOLID BLADE. SEGMENTS HAVE 0.0 [0.000] WIDTH WITH NO MATERIAL REMOVED.

MOUNTING LOCATION CHART	
HEAD PULLEY DIA. INCLUDING BELT AND LAGGING	DIM "D"
406.4 [16.00]	146.1 [5.75]
508.0 [20.00]	139.7 [5.50]
609.6 [24.00]	133.4 [5.25]
711.2 [28.00]	127.0 [5.00]
762.0-3048.0 [30.00-120.00]	120.7 [4.75]



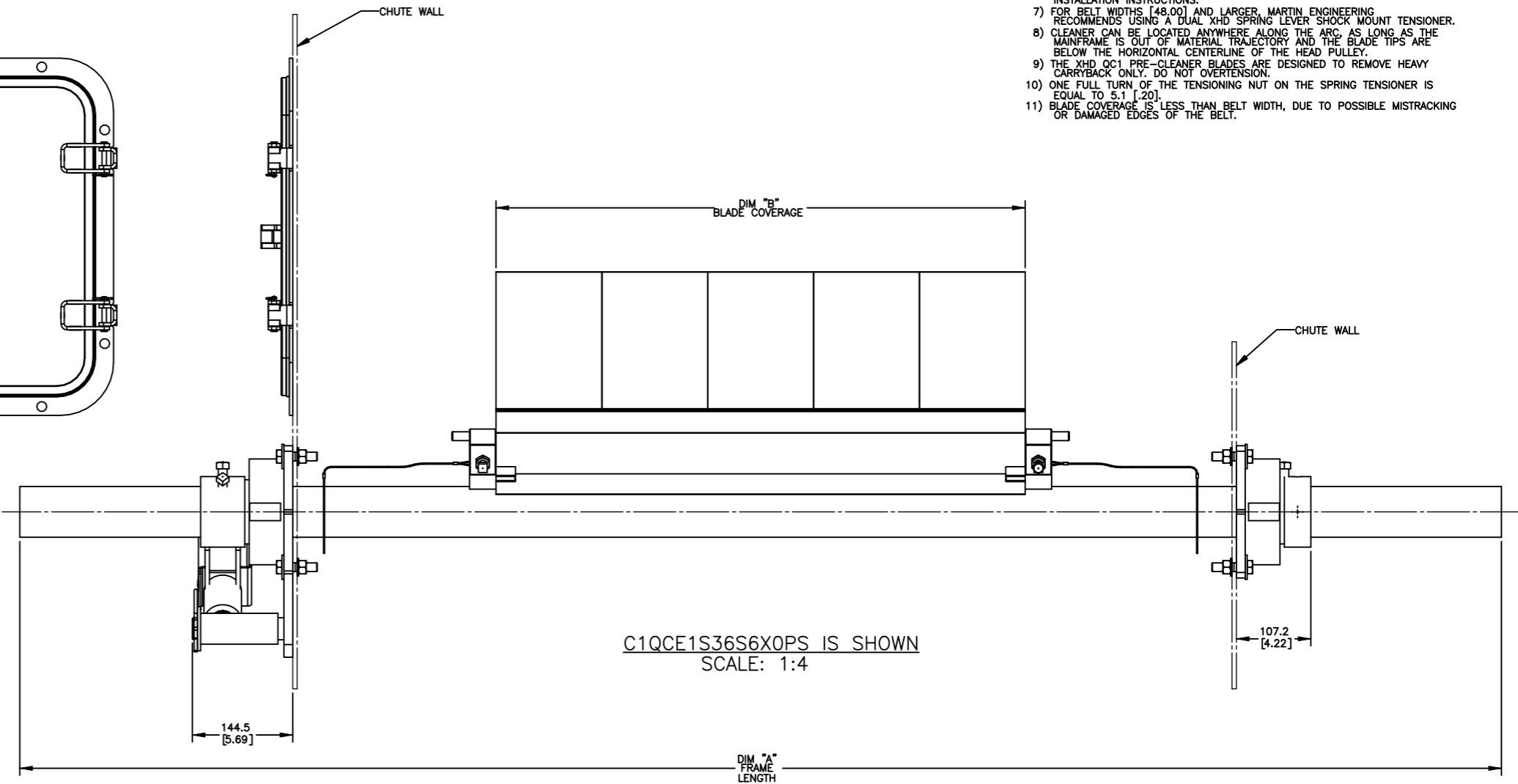
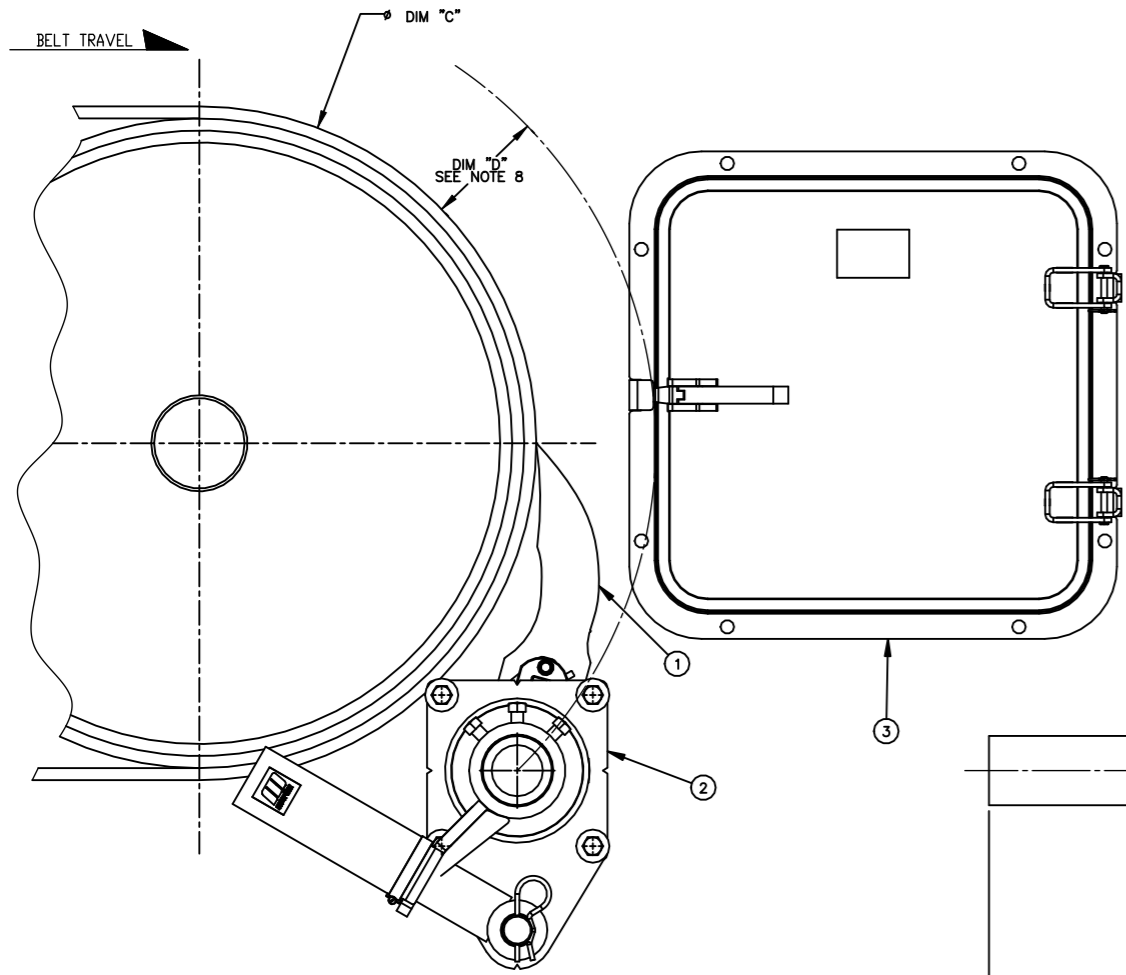
TENSIONER CHUTE CUTOUT DETAIL
SCALE 3:8
TYPICAL BOTH SIDES



ACCESS DOOR CUTOUT DETAIL
SCALE 1:4

ITEM	QTY.	DESCRIPTION	PART NUMBER
1	1	MARTIN QC1+ XHD ASSEMBLY	SEE CHART
2	1	MARTIN UNIVERSAL SPRING TENSIONER	38003
3	1	MARTIN LOW PROFILE ACCESS DOOR	CYA-1818XXXX

- NOTES:
- ALL DIMENSIONS ARE GIVEN IN MM [INCHES]. ALL DIMENSIONS ARE FOR REFERENCE ONLY.
 - IN THE C1QCE1 PART NUMBER THE FIRST SXX INDICATES THE BELT WIDTH IN STANDARD INCH UNITS FOR BELT WIDTHS 18-42.
S18 = 18
S24 = 24
S42 = 42
THE NEXT SX INDICATES THE LESS BELT WIDTH BLADE COVERAGE IN STANDARD INCH UNITS.
00 = NO BLADE
S6 = 6 LESS BELT WIDTH
S8 = 8 LESS BELT WIDTH
SC = 12 LESS BELT WIDTH
 - THE FOURTH X IN THE PART NUMBER INDICATES THE BLADE COLOR:
0 = NO BLADE
B = BROWN
T = TAN
G = GREEN
N = NAVY BLUE
O = ORANGE
Y = YELLOW
C = YELLOW WITH CERAMIC BEADS (ONLY AVAILABLE AS A SEGMENTED BLADE)
 - THE FIFTH X INDICATES IF THE BLADE IS SOLID OR SEGMENTED:
0 = SEGMENTED BLADE / NO BLADE
1 = SOLID BLADE
 - THE P IN THE PART NUMBER INDICATES A PAINTED STEEL MAINFRAME.
THE LAST X INDICATES THE TENSIONER OPTIONS:
BLANK = NO TENSIONER
S = UNIVERSAL SPRING TENSIONER (38003)
 - FOR EASY ACCESSIBILITY AND MAINTENANCE, MARTIN ENGINEERING RECOMMENDS BOLTING CLEANER TO EXISTING STRUCTURE WHEN APPLICABLE.
 - CLEANER IS SHOWN IN RECOMMENDED WORKING POSITION.
 - WHERE EXTREME OR UNUSUAL CONDITIONS EXIST, OR SPECIAL MAINFRAME LENGTHS ARE REQUIRED CONTACT MARIN ENGINEERING.
 - REFER TO OPERATOR'S MANUALS M4175, & M3891 FOR COMPLETE INSTALLATION INSTRUCTIONS.
 - FOR BELT WIDTHS [48.00] AND LARGER, MARTIN ENGINEERING RECOMMENDS USING A DUAL XHD SPRING LEVER SHOCK MOUNT TENSIONER.
 - CLEANER CAN BE LOCATED ANYWHERE ALONG THE ARC, AS LONG AS THE MAINFRAME IS OUT OF MATERIAL TRAJECTORY AND THE BLADE TIPS ARE BELOW THE HORIZONTAL CENTERLINE OF THE HEAD PULLEY.
 - THE XHD QC1 PRE-CLEANER BLADES ARE DESIGNED TO REMOVE HEAVY CARRYBACK ONLY. DO NOT OVERTENSION.
 - ONE FULL TURN OF THE TENSIONING NUT ON THE SPRING TENSIONER IS EQUAL TO 5.1 [20].
 - BLADE COVERAGE IS LESS THAN BELT WIDTH, DUE TO POSSIBLE MISTRACKING OR DAMAGED EDGES OF THE BELT.



C1QCE1S36S6X0PS IS SHOWN
SCALE: 1:4

NO.	DESCRIPTION	ECN	DATE	BY
B	CHGR P/N CYA-1218 TO CYA-1818 IN BOM / CHGR DOOR CUTOUT DETAIL FROM CYA-1218 TO CYA-1818.	16025B	05/04/22	MH
A	IN NOTE 6: CHNGD M3504 TO M4175 & M3127 TO M3891.	15967	09/24/21	MH

© Copyright 2021 Martin Engineering. All rights reserved. Covered by U.S. and foreign patents pending and issued. and indicate trademarks of Martin Engineering.

MARTIN ENGINEERING
NEPONSET, IL USA

TITLE: MARTIN QC1+ XHD 1PC PRE-CLEANER WITH UNIVERSAL SPRING TENSIONER & 18X18 ACCESS DOOR

SALES DRAWING

PR14144C S50140-S

DRAWN: MH DATE: 03/31/21 CHECKED: JLS DATE: 04/02/21 APPROVED: JLS DATE: 04/05/21

SCALE: 1:4