

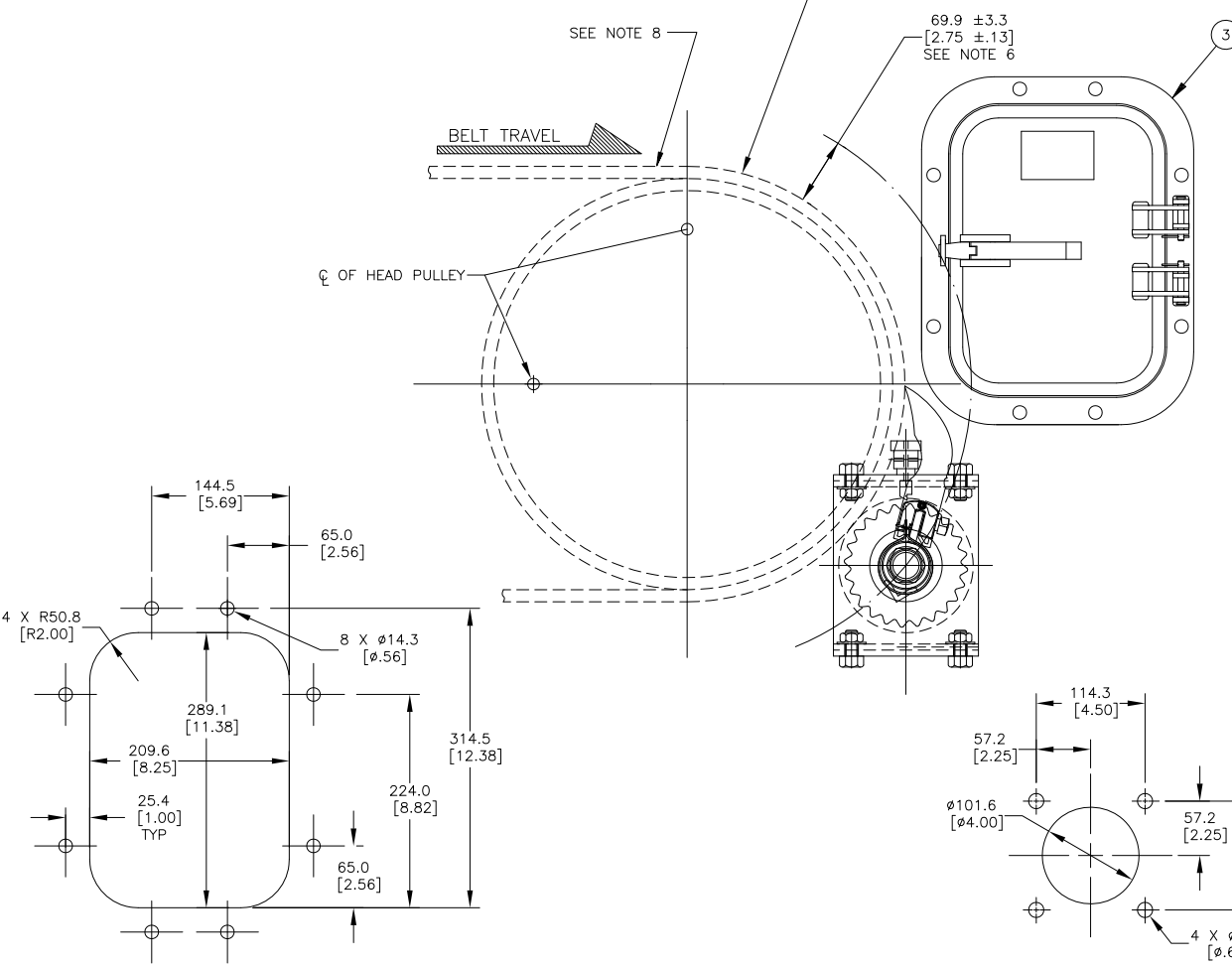
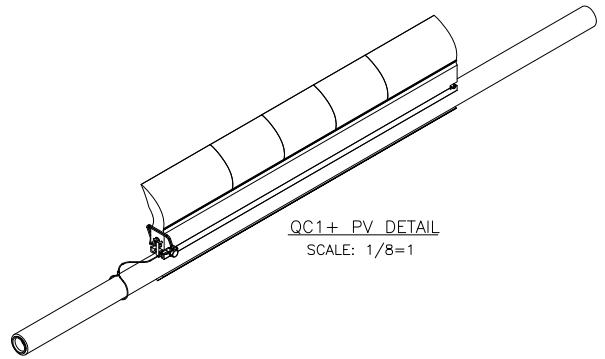
PART NUMBER	BELT WIDTH	DIMENSION "A" BLADE COVERAGE	DIMENSION "B" STD FRAME LG	DIMENSION "B" EXT FRAME LG	PART NUMBER ITEM 2 STL	PART NUMBER ITEM 2 SS
C1QCP1S18S6XXXX	457.2 [18.00]	304.8 [12.00]	1219.2 [48.00]	1524.0 [60.00]	31443	31443-SS
C1QCP1S18S2XXXX	457.2 [18.00]	406.4 [16.00]	1219.2 [48.00]	1524.0 [60.00]	31443	31443-SS
C1QCP1S24S6XXXX	609.6 [24.00]	457.2 [18.00]	1371.6 [54.00]	1676.4 [66.00]	31443	31443-SS
C1QCP1S24S2XXXX	609.6 [24.00]	558.8 [22.00]	1371.6 [54.00]	1676.4 [66.00]	31443	31443-SS
C1QCP1S30S6XXXX	762.0 [30.00]	609.6 [24.00]	1524.0 [60.00]	1828.8 [72.00]	31443	31443-SS
C1QCP1S30S2XXXX	762.0 [30.00]	711.2 [28.00]	1524.0 [60.00]	1828.8 [72.00]	31443	31443-SS
C1QCP1S36S6XXXX	914.4 [36.00]	762.0 [30.00]	1676.4 [66.00]	1981.2 [78.00]	31443	31443-SS
C1QCP1S36S2XXXX	914.4 [36.00]	863.6 [34.00]	1676.4 [66.00]	1981.2 [78.00]	31443	31443-SS
C1QCP1S42S6XXXX	1066.8 [42.00]	914.4 [36.00]	1828.8 [72.00]	2133.6 [84.00]	31443	31443-SS
C1QCP1S42S2XXXX	1066.8 [42.00]	1016.0 [40.00]	1828.8 [72.00]	2133.6 [84.00]	31443	31443-SS
C1QCP1S48S6XXXX	1219.2 [48.00]	1066.8 [42.00]	1981.2 [78.00]	2286.0 [90.00]	31443	31443-SS
C1QCP1S48S2XXXX	1219.2 [48.00]	1168.4 [46.00]	1981.2 [78.00]	2286.0 [90.00]	31443	31443-SS
C1QCP1S54S6XXXX	1371.6 [54.00]	1219.2 [48.00]	2133.6 [84.00]	2438.4 [96.00]	31443-2R	31443-DSS
C1QCP1S54S2XXXX	1371.6 [54.00]	1320.8 [52.00]	2133.6 [84.00]	2438.4 [96.00]	31443-2R	31443-DSS
C1QCP1S60S6XXXX	1524.0 [60.00]	1371.6 [54.00]	2286.0 [90.00]	2590.8 [102.00]	31443-2R	31443-DSS
C1QCP1S60S2XXXX	1524.0 [60.00]	1473.2 [58.00]	2286.0 [90.00]	2590.8 [102.00]	31443-2R	31443-DSS
C1QCP1S66S6XXXX	1676.4 [66.00]	1524.0 [60.00]	2438.4 [96.00]	2743.2 [108.00]	31443-2R	31443-DSS
C1QCP1S66S2XXXX	1676.4 [66.00]	1625.6 [64.00]	2438.4 [96.00]	2743.2 [108.00]	31443-2R	31443-DSS
C1QCP1S72S6XXXX	1828.8 [72.00]	1676.4 [66.00]	2590.8 [102.00]	2895.6 [114.00]	31443-2R	31443-DSS
C1QCP1S72S2XXXX	1828.8 [72.00]	1727.2 [70.00]	2590.8 [102.00]	2895.6 [114.00]	31443-2R	31443-DSS

NOTES:
 1) ALL DIMENSIONS ARE GIVEN IN MILLIMETERS [INCHES] AND ARE FOR REFERENCE ONLY.
 2) IN THE C1QCP1 PART NUMBER THE FIRST SXX INDICATES THE BELT WIDTH IN STANDARD INCH UNITS FOR BELT WIDTHS 18 THRU 72.
 S18 = 18 BELT WIDTH
 S72 = 72 BELT WIDTH
 THE NEXT SX INDICATES THE LESS BELT WIDTH BLADE COVERAGE IN STANDARD INCH UNITS.
 00 = NO BLADE
 S2 = 2 LESS BELT WIDTH
 S6 = 6 LESS BELT WIDTH
 THE FOURTH X IN THE PART NUMBER INDICATES THE BLADE COLOR:
 0 = NO BLADE
 B = BROWN
 T = TAN
 G = GREEN
 N = NAVY BLUE
 O = ORANGE
 THE FIFTH X INDICATES IF THE BLADE IS SOLID OR SEGMENTED:
 0 = NO BLADE
 2 = SEGMENTED BLADE WITH SLOTS
 3 = SOLID BLADE WITH SLOTS
 THE SIXTH X IN THE PART NUMBER INDICATES THE MAINFRAME MATERIAL/FINISH:
 P = STANDARD PAINTED STEEL MAINFRAME
 E = EXTENDED PAINTED STEEL MAINFRAME WITH EXTENDED TORQUE TUBES
 F = STANDARD STAINLESS STEEL MAINFRAME
 Z = EXTENDED STAINLESS STEEL MAINFRAME WITH EXTENDED SS TORQUE TUBES
 T = STANDARD PAINTED STEEL MAINFRAME
 THE LAST X INDICATES THE TENSIONER OPTIONS:
 BLANK = NO TENSIONER
 0 = SINGLE STEEL TWIST TENSIONER (31443) FOR BELT WIDTHS 18 TO 48.
 DUAL TWIST TENSIONER (31443-2R) FOR BELT WIDTHS 54 AND ABOVE.
 F = SINGLE SS TWIST TENSIONER (31443-SS) FOR BELT WIDTHS 18 TO 48.
 DUAL SS TWIST TENSIONER (31443-DSS) FOR BELT WIDTHS 54 AND ABOVE.

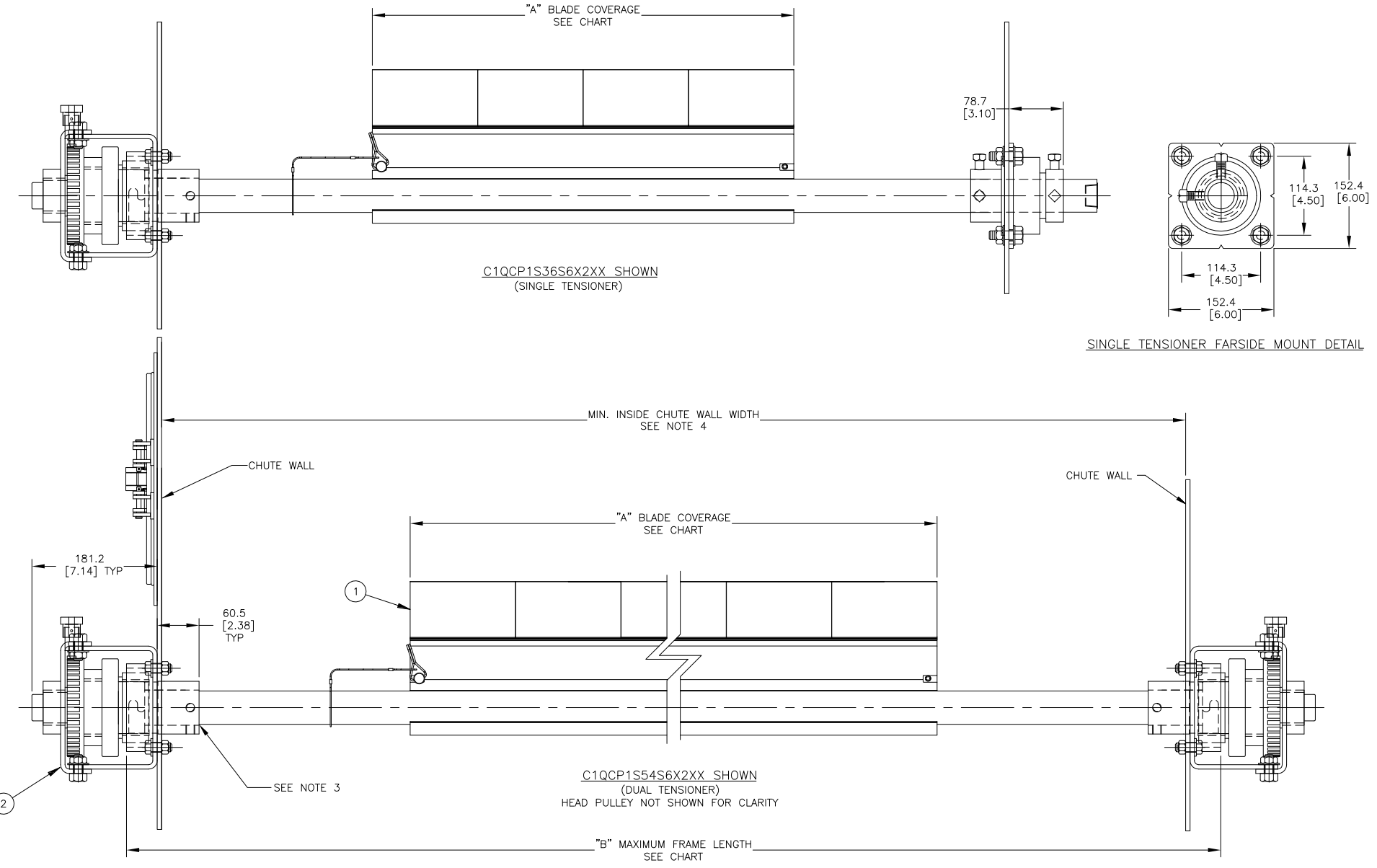
NOTES:
 3) WHERE EXTREME OR UNUSUAL CONDITIONS EXIST, OR SPECIAL MAINFRAME LENGTHS ARE REQUIRED CONTACT MARTIN ENGINEERING. FOR SEVERE APPLICATIONS WELD MAINFRAME ADAPTER DIRECTLY TO MAINFRAME.
 4) INSIDE CHUTE WALL WIDTH MUST BE A MINIMUM OF BELT WIDTH PLUS 127.0 [5.00] IN ORDER FOR CLEANER TO BE INSTALLED WITH TENSIONERS BOLTED DIRECTLY TO CHUTE WALL.
 5) REFER TO OPERATOR'S MANUALS M3837 AND M4131 FOR INSTALLATION INSTRUCTIONS.
 6) CLEANER CAN BE LOCATED ANYWHERE ALONG THE ARC, AS LONG AS THE MAINFRAME IS OUT OF MATERIAL TRAJECTORY AND THE BLADE TIPS ARE BELOW THE HORIZONTAL CENTERLINE OF THE HEAD PULLEY.
 7) THE QC1+ PV PRE-CLEANER BLADE IS DESIGNED TO REMOVE THE INITIAL CARRYBACK ONLY. DO NOT OVER TENSION.
 8) THE QC1+ PV PRE-CLEANER BLADE IS DESIGNED FOR HEAD PULLEYS WITH A DIAMETER OF 304.8 [12.00] TO 406.4 [16.00].
 9) BLADE COVERAGE IS LESS THAN BELT WIDTH, DUE TO POSSIBLE MISTRACKING OR DAMAGED EDGES OF THE BELT.

ITEM	QTY.	DESCRIPTION	PART NUMBER
1	1	MARTIN QC1+ PV BLADE MAINFRAME ASM	C1QCP1SXXSXXXX
2	1	MARTIN TWIST TENSIONER ASM	SEE CHART
3	1	MARTIN LOW PROFILE STL DOOR 9X12	CYA-0912

ASSEMBLY PART NO.	COLOR
C1QCP1SXXSXXXX	BROWN
C1QCP1SXXSXTXXX	TAN
C1QCP1SXXSXGXXX	GREEN
C1QCP1SXXSXNXXX	NAVY BLUE
C1QCP1SXXSXOXXX	ORANGE



TENSIONER CHUTE WALL CUTOUT DETAIL
TYPICAL BOTH SIDES



SINGLE TENSIONER FAR SIDE MOUNT DETAIL

© Copyright 2019 Martin Engineering. All rights reserved. Covered by U.S. and foreign patents pending and issued. ® and TM indicate trademarks of Martin Engineering.



MARTIN ENGINEERING
NEPONSET, IL USA

TITLE	DATE	BY	REVISION
MARTIN QC1+ PV 1-PC ASM WITH 31443 TWIST TENS ASM & STEEL DOOR 228.6 [9] X 304.8 [12]	06/18/19	JAH	1
SALES DRAWING	DATE	BY	REVISION
PR13753E	07/08/19	JAH	1

NO.	DESCRIPTION	ECN	DATE	BY
A	ADDED S2 OPTION TO P/N CHART & P/N NOTE / RMD S4 & S8 OPTIONS FROM P/N CHART & P/N NOTE / UPDATED P/N NOTE	15751	10/06/20	JAH

DRAWN	DATE	CHECKED	DATE	APPROVED	DATE	SCALE
RND	06/18/19	JAH	06/26/19	JAH	07/08/19	1/4