

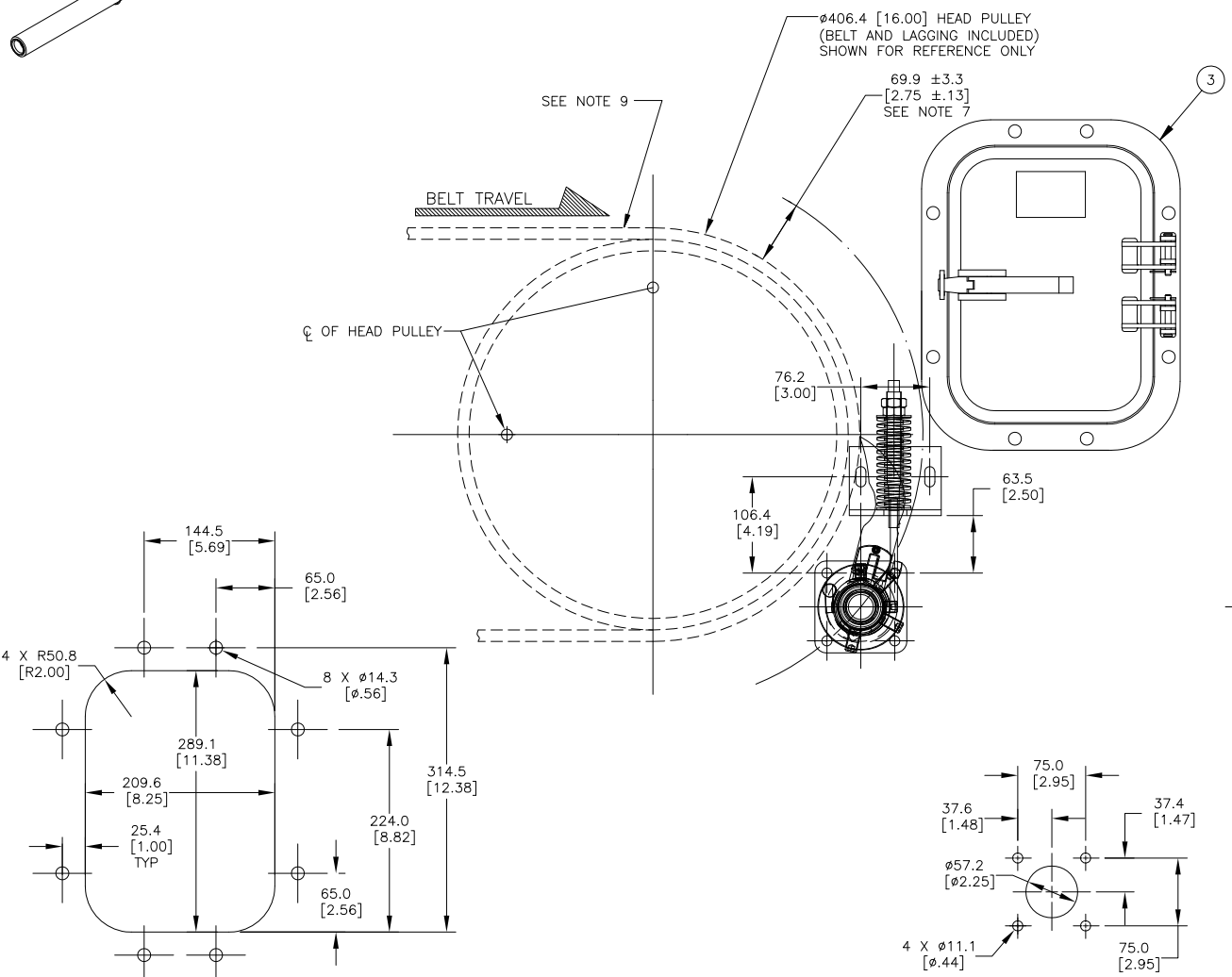
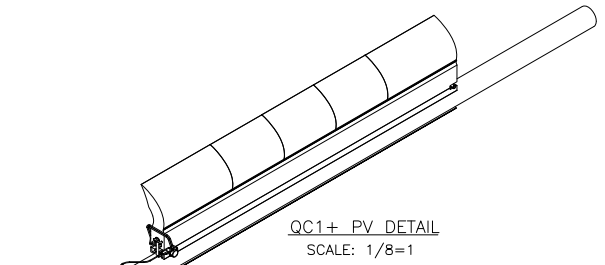
PART NUMBER	BELT WIDTH	DIMENSION "A" BLADE COVERAGE	DIMENSION "B" STD FRAME LG	DIMENSION "B" EXT FRAME LG	PART NUMBER ITEM 2
C1QCP1S18S6XXXX	457.2 [18.00]	304.8 [12.00]	1219.2 [48.00]	1524.0 [60.00]	37944
C1QCP1S18S2XXXX	457.2 [18.00]	406.4 [16.00]	1219.2 [48.00]	1524.0 [60.00]	37944
C1QCP1S24S6XXXX	609.6 [24.00]	457.2 [18.00]	1371.6 [54.00]	1676.4 [66.00]	37944
C1QCP1S24S2XXXX	609.6 [24.00]	558.8 [22.00]	1371.6 [54.00]	1676.4 [66.00]	37944
C1QCP1S30S6XXXX	762.0 [30.00]	609.6 [24.00]	1524.0 [60.00]	1828.8 [72.00]	37944
C1QCP1S30S2XXXX	762.0 [30.00]	711.2 [28.00]	1524.0 [60.00]	1828.8 [72.00]	37944
C1QCP1S36S6XXXX	914.4 [36.00]	762.0 [30.00]	1676.4 [66.00]	1981.2 [78.00]	37944
C1QCP1S36S2XXXX	914.4 [36.00]	863.6 [34.00]	1676.4 [66.00]	1981.2 [78.00]	37944
C1QCP1S42S6XXXX	1066.8 [42.00]	914.4 [36.00]	1828.8 [72.00]	2133.6 [84.00]	37944
C1QCP1S42S2XXXX	1066.8 [42.00]	1016.0 [40.00]	1828.8 [72.00]	2133.6 [84.00]	37944
C1QCP1S48S6XXXX	1219.2 [48.00]	1066.8 [42.00]	1981.2 [78.00]	2286.0 [90.00]	37944
C1QCP1S48S2XXXX	1219.2 [48.00]	1168.4 [46.00]	1981.2 [78.00]	2286.0 [90.00]	37944
C1QCP1S54S6XXXX	1371.6 [54.00]	1219.2 [48.00]	2133.6 [84.00]	2438.4 [96.00]	37944
C1QCP1S54S2XXXX	1371.6 [54.00]	1320.8 [52.00]	2133.6 [84.00]	2438.4 [96.00]	37944
C1QCP1S60S6XXXX	1524.0 [60.00]	1371.6 [54.00]	2286.0 [90.00]	2590.8 [102.00]	37944-2
C1QCP1S60S2XXXX	1524.0 [60.00]	1473.2 [58.00]	2286.0 [90.00]	2590.8 [102.00]	37944-2
C1QCP1S66S6XXXX	1676.4 [66.00]	1524.0 [60.00]	2438.4 [96.00]	2743.2 [108.00]	37944-2
C1QCP1S66S2XXXX	1676.4 [66.00]	1625.6 [64.00]	2438.4 [96.00]	2743.2 [108.00]	37944-2
C1QCP1S72S6XXXX	1828.8 [72.00]	1676.4 [66.00]	2590.8 [102.00]	2895.6 [114.00]	37944-2
C1QCP1S72S2XXXX	1828.8 [72.00]	1727.2 [70.00]	2590.8 [102.00]	2895.6 [114.00]	37944-2

NOTES:
 1) ALL DIMENSIONS ARE GIVEN IN MILLIMETERS [INCHES] AND ARE FOR REFERENCE ONLY.
 2) IN THE C1QCP1 PART NUMBER THE FIRST SXX INDICATES THE BELT WIDTH IN STANDARD INCH UNITS FOR BELT WIDTHS 18 THRU 72.
 S18 = 18 BELT WIDTH
 S72 = 72 BELT WIDTH
 THE NEXT SX INDICATES THE LESS BELT WIDTH BLADE COVERAGE IN STANDARD INCH UNITS.
 00 = NO BLADE
 S2 = 2 LESS BELT WIDTH
 S6 = 6 LESS BELT WIDTH
 THE FOURTH X IN THE PART NUMBER INDICATES THE BLADE COLOR:
 0 = NO BLADE
 B = BROWN
 T = TAN
 G = GREEN
 N = NAVY BLUE
 O = ORANGE
 THE FIFTH X INDICATES IF THE BLADE IS SOLID OR SEGMENTED:
 0 = NO BLADE
 2 = SEGMENTED BLADE WITH SLOTS
 3 = SOLID BLADE WITH SLOTS
 THE SIXTH X IN THE PART NUMBER INDICATES THE MAINFRAME MATERIAL/FINISH:
 P = STANDARD PAINTED STEEL MAINFRAME
 E = EXTENDED PAINTED STEEL MAINFRAME WITH EXTENDED TORQUE TUBES
 F = STANDARD STAINLESS STEEL MAINFRAME
 Z = EXTENDED STAINLESS STEEL MAINFRAME WITH EXTENDED SS TORQUE TUBES
 T = STANDARD PAINTED STEEL MAINFRAME
 THE LAST X INDICATES THE TENSIONER OPTIONS:
 BLANK = NO TENSIONER
 C = SINGLE SPRING CABLE TENSIONER (37944) FOR BELT WIDTHS 18 TO 54 .
 DUAL SPRING CABLE TENSIONER (37944-2) FOR BELT WIDTHS 60 AND ABOVE.

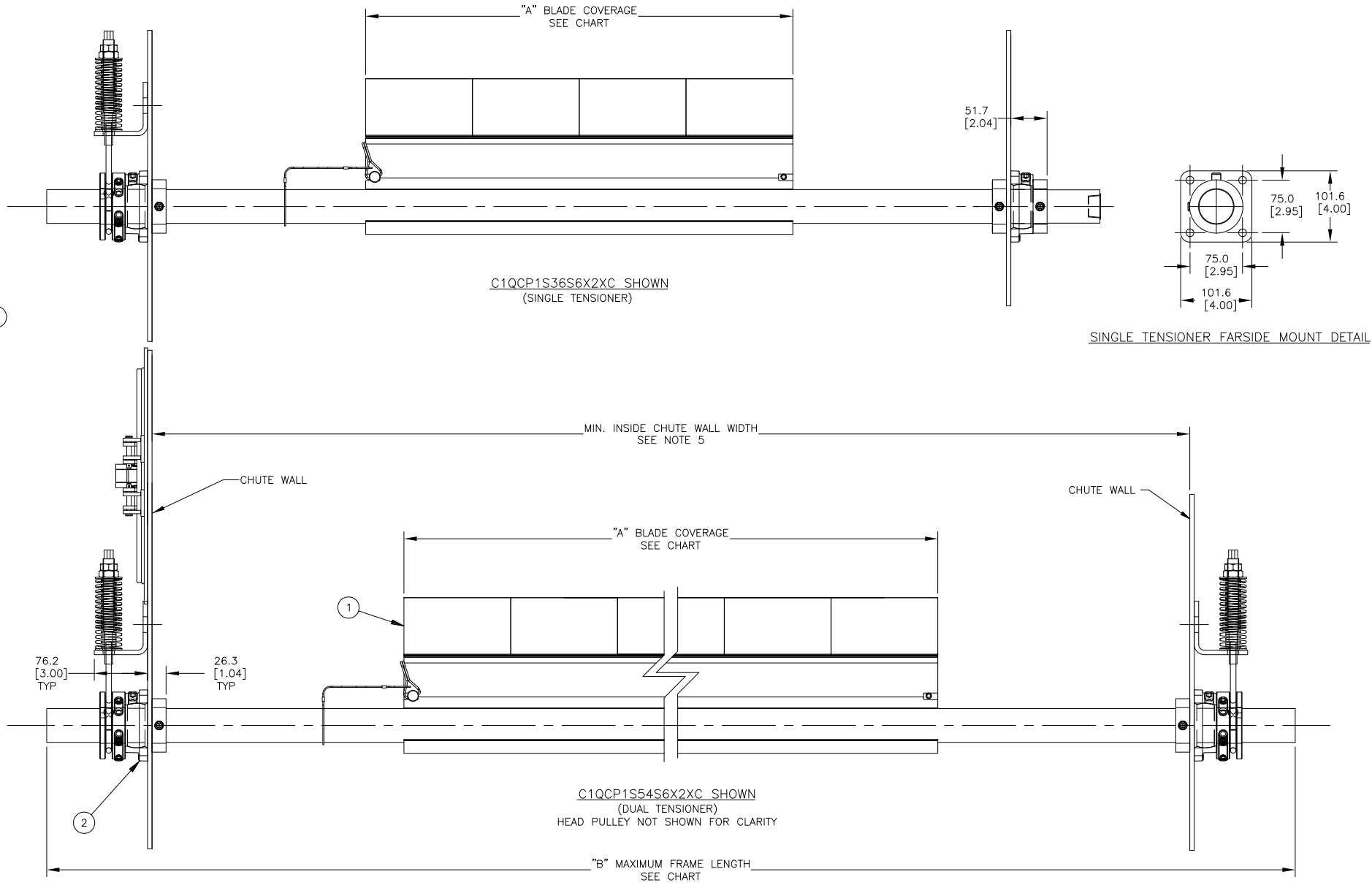
NOTES:
 3) WHERE EXTREME OR UNUSUAL CONDITIONS EXIST, OR SPECIAL MAINFRAME LENGTHS ARE REQUIRED CONTACT MARTIN ENGINEERING.
 4) INSIDE CHUTE WALL WIDTH MUST BE A MINIMUM OF BELT WIDTH PLUS 127.0 [5.00] IN ORDER FOR CLEANER TO BE INSTALLED WITH TENSIONERS BOLTED DIRECTLY TO CHUTE WALL.
 5) REFER TO OPERATOR'S MANUALS M3734 AND M4131 FOR INSTALLATION INSTRUCTIONS.
 6) CLEANER CAN BE LOCATED ANYWHERE ALONG THE ARC, AS LONG AS THE MAINFRAME IS OUT OF MATERIAL TRAJECTORY AND THE BLADE TIPS ARE BELOW THE HORIZONTAL CENTERLINE OF THE HEAD PULLEY.
 7) THE QC1+ PV PRE-CLEANER BLADE IS DESIGNED TO REMOVE THE INITIAL CARRYBACK ONLY. DO NOT OVER TENSION.
 8) THE QC1+ PV PRE-CLEANER BLADE IS DESIGNED FOR HEAD PULLEYS WITH A DIAMETER OF 304.8 [12.00] TO 406.4 [16.00].
 9) BLADE COVERAGE IS LESS THAN BELT WIDTH, DUE TO POSSIBLE MISTRACKING OR DAMAGED EDGES OF THE BELT.

ITEM	QTY.	DESCRIPTION	PART NUMBER
1	1	MARTIN QC1+ PV BLADE MAINFRAME ASM	C1QCP1SXXSXXXX
2	1	MARTIN SPRING CABLE TENSIONER ASM	SEE CHART
3	1	MARTIN LOW PROFILE STL DOOR 9X12	CYA-0912

ASSEMBLY PART NO.	COLOR
C1QCP1SXXSXBXXX	BROWN
C1QCP1SXXSXTXXX	TAN
C1QCP1SXXSXGXXX	GREEN
C1QCP1SXXSXNXXX	NAVY BLUE
C1QCP1SXXSXOXXX	ORANGE



TENSIONER CHUTE WALL CUTOUT DETAIL TYPICAL BOTH SIDES



SINGLE TENSIONER FAR SIDE MOUNT DETAIL

DOOR CUTOUT DETAIL FOR STEEL ACCESS DOOR

© Copyright 2019 Martin Engineering. All rights reserved. Covered by U.S. and foreign patents pending and issued. ® and TM indicate trademarks of Martin Engineering.

MARTIN ENGINEERING
NEPONSET, IL USA

TITLE	MARTIN QC1+ PV 1-PC ASM W/SPRING CABLE TENS ASM & STEEL DOOR 228.6 [9] X 304.8 [12]	DRAWN RND	DATE 06/19/19
NO.	REVISION	ECN	DATE
SALES DRAWING	PR13753E	DATE	BY
APPROVED	DATE 07/08/19	SCALE	1/4